

30" Electric Wall Oven and Microwave Combination with Stone-Baked
Pizza

Microwave Combination Wall Oven

Version: 10/25

Product Specifications

Cooking Controls

| | |
|---------------------|-----|
| Air Fry | Yes |
| Air Sous Vide | Yes |
| Bake | Yes |
| Bake Time | Yes |
| Bread Proof | Yes |
| Broil | Yes |
| Clock | Yes |
| Convection Bake | Yes |
| Convection Convert | Yes |
| Convection Roast | Yes |
| Cook Time | Yes |
| Dehydrate | Yes |
| Delay Clean | Yes |
| Delay Start | Yes |
| Door Lock | Yes |
| Keep Warm | Yes |
| Kitchen Timer | Yes |
| Light | Yes |
| Multi-Rack Cooking | Yes |
| My Favorite | Yes |
| No Preheat | Yes |
| Oven Light | Yes |
| Oven Lock | Yes |
| Preheat | Yes |
| Probe | Yes |
| Self Clean | Yes |
| Set Clock | Yes |
| Slow Cook | Yes |
| Start | Yes |
| Start Time | Yes |
| Steam Bake | Yes |
| Steam Clean | Yes |
| Steam Roast | Yes |
| Stone-Baked Pizza | Yes |
| Temperature Display | Yes |
| Timer On / Off | Yes |
| User Preferences | Yes |

Cooking Controls Function

| | |
|---|-----|
| Change between Continuous Bake Setting or 12-Hour Energy Saving Feature | Yes |
| Delayed Bake | Yes |
| Program Fahrenheit or Celsius | Yes |
| Silent Control Panel | Yes |

Microwave Cooking

| | |
|-------------------------|------------|
| Microwave Cooking Power | 1000 Watts |
| Bacon | Yes |
| Beverage | Yes |
| Defrost | Yes |
| Melt / Soften | Yes |
| Popcorn | Yes |
| Reheat | Yes |
| Rice | Yes |
| Top Grill Mode | Yes |
| Veggies | Yes |

Included Pizza Accessories

| | |
|--------------|-----|
| Pizza Stone | Yes |
| Pizza Shield | Yes |
| Peel | Yes |

Microwave Control Features

| | |
|--------------|-----------------|
| + 30 Seconds | Yes - One Touch |
|--------------|-----------------|

Exterior

| | |
|------------|----------------|
| Door Swing | Drop-Down Door |
|------------|----------------|

Stone-Baked Pizza

Version: 10/25

Oven

| | |
|---------------------------|----------------|
| Bake Element | 2500 Watts |
| Bake Element Pass | 8 |
| Bake Element Type | Hidden |
| Broil Element | 4000 Watts |
| Broil Element Pass | 6 |
| Broil System | Yes |
| Cleaning System | Yes |
| Convection | Yes |
| Convection Element | 3800 Watts |
| Convection Type | Total |
| Number of Convection Fans | 1 |
| Number of Rack Positions | 6 |
| Oven Interior Color | Midnight Black |
| Oven Light Quantity | 2 |
| Oven Light Type | Halogen |
| Oven Light Watts | 40 Watts |
| Rack Position Type | Embossed |
| Rack Type 1 | Flat |
| Rack Type 1 Quantity | 1 |
| Rack Type 2 | Glide |
| Rack Type 2 Quantity | 1 |

Controls

| | |
|--------------|-----|
| Control Lock | Yes |
| Sabbath Mode | Yes |

Display

| | |
|-------------------------|------------------|
| Display Interface Color | White |
| Display Light Color | White |
| Display Type | Capacitive Touch |

Internal Specifications

| | |
|--------------------|-------|
| Rack | Yes |
| Turntable Diameter | 14" |
| Turntable Material | Glass |

Electrical Specifications

| | |
|--------------------------|---------|
| Amps @ 240 Volts | 40 Amps |
| Minimum Circuit Required | 40 Amps |
| Voltage Rating | 240 V |

General Specifications

| | |
|------------------------|---|
| Frigidaire Fit Promise | Yes |
| Prop 65 Label | Yes |
| Warranty - Labor | 1 Year |
| Warranty - Parts | 1 Year |
| AB-1200 | Information available at frigidaire.com/en/ab1200 |

Connectivity

| | |
|---------------|-----|
| Wi-Fi Enabled | Yes |
|---------------|-----|

Safety Certifications and Approvals

| | |
|------------|-----|
| CSA Listed | Yes |
| RoHS | Yes |
| UL Listed | Yes |

Right to Repair Details

| | |
|-----------------|---|
| Right to Repair | Partially Available - Visit frigidaire.ca/right-to-repair for more information |
|-----------------|---|

Dimensions and Volume

| | |
|---------------------------|-------------|
| Height | 41 9/16" |
| Width | 30" |
| Depth | 25 3/16" |
| Depth With Door 90° Open | 48 3/16" |
| Depth With Handle | 27 3/5" |
| Cutout Depth | 23 5/8" |
| Oven Interior Height | 18 1/8" |
| Oven Interior Width | 25 3/16" |
| Oven Interior Depth | 19 7/8" |
| Microwave Interior Height | 9 5/16" |
| Microwave Interior Width | 18 7/8" |
| Minimum Cutout Height | 41 1/4" |
| Minimum Cutout Width | 28 1/2" |
| Maximum Cutout Height | 42" |
| Maximum Cutout Width | 28 3/4" |
| Microwave Capacity | 1.7 Cu. Ft. |
| Oven Capacity | 5.3 Cu. Ft. |

Installation

| | |
|----------------------------------|----------|
| Power Supply Connection Location | Top Left |
|----------------------------------|----------|

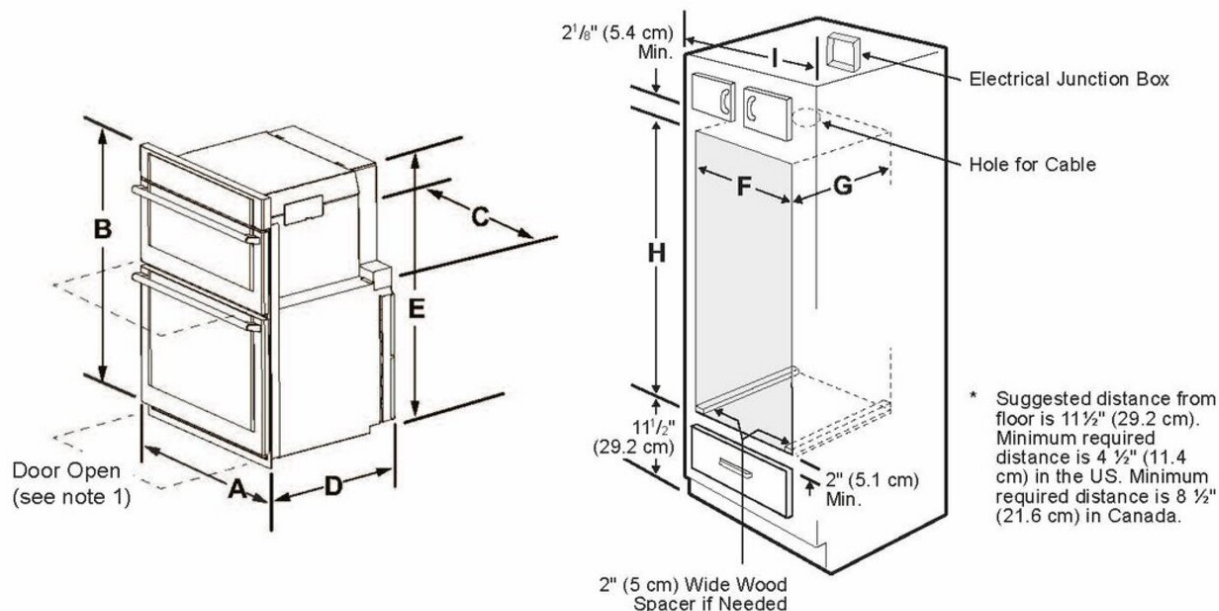
Certifications and Approvals

| | |
|----------------------|-----|
| Star-K Certification | Yes |
|----------------------|-----|

Accessories

| | |
|-----------------------------------|------------------------------|
| Optional Air Fry Tray Part Number | FRIGPEREAF1 |
| Optional Trim Kit Part Number | WOMC3TRIMSS, WOMC3TRIMDSS |

Installation Diagram



NOTES:

1. Allow at least 22" (55.9cm) clearance in front of oven for door depth when it is open.
2. Dimension G (cutout depth) is critical to the proper installation of the built-in oven. If the oven decorative trim does not butt against the cabinet verify dimension G to assure it is the required depth.
3. For a cutout height greater than the maximum (H), add one 2"(5 cm) wide wood shim of appropriate height to each side of the opening under the appliance side rails. A trim kit may be purchased through a dealer, service, or on the brand website.

Figure 1: Product and Cutout Dimensions

| PRODUCT DIMENSIONS | | | | | |
|---|---|--|---|--|---|
| A | B | C | D | | E |
| 29 ⁷ / ₈ " (75.9 cm) | 41 ¹ / ₁₆ " (105.6 cm) | 28 ³ / ₁₆ " (72.2 cm) | 25 ³ / ₁₆ " (63.9 cm) | | 40 ¹ / ₁₆ " (102.9 cm) |
| CUTOUT DIMENSIONS AND CABINET WIDTH | | | | | |
| F | | G. Min. | H | | I |
| Min. | Max. | | Min. | Max. | |
| 28 ¹ / ₂ " (72.4 cm) | 29" (73.7 cm) | 23 ¹ / ₂ " (59.7 cm) | 40 ⁵ / ₁₆ " (103.1 cm) | 41 ¹ / ₂ " (105.4 cm) | 30 ¹ / ₈ " (76.5 cm) Min |