

## 24" Built-In Dishwasher

Dishwasher

Available Products: EDSH4944AS

Available Colors: Stainless Steel

Version: 03/26

## Product Specifications

### Dishwasher

|                                  |                 |
|----------------------------------|-----------------|
| Detergent Dispenser              | Yes             |
| Hard Food Disposer or Filtration | Yes             |
| Interior Light                   | Yes             |
| Leak Detection System            | Yes             |
| Motor Speeds                     | Multi-Speed     |
| Place Setting Capacity           | 14              |
| Rinse Aid Dispenser              | Yes             |
| Smart Soil Sensor                | Yes             |
| Lower Spray Arm                  | Orbit           |
| Middle Spray Arm                 | Bi-Beam         |
| Upper Spray Arm                  | Spray Arm       |
| Status Indicator Floor Beam      | Yes             |
| Tub Design                       | Tall Tub        |
| Tub Material                     | Stainless Steel |
| Wash Levels                      | 5               |
| Wash System                      | Direct Feed     |
| Water Pressure                   | 90 psi          |
| Water Usage                      | 8 Gallons       |

### Dishwasher Options

|                  |          |
|------------------|----------|
| Drying System    | Even Dry |
| Heated Dry       | Yes      |
| High Temperature | Yes      |

### Upper Rack

|                 |     |
|-----------------|-----|
| Cup Shelf       | Yes |
| Fold-Down       | Yes |
| Stemware Holder | Yes |

### Controls

|                   |            |
|-------------------|------------|
| Delay Start Hours | 1-12 Hours |
| Digital Display   | Yes        |

### Dimensions and Volume

|                      |         |
|----------------------|---------|
| Minimum Height       | 33 3/4" |
| Maximum Height       | 35 3/4" |
| Width                | 24"     |
| Depth                | 24 1/4" |
| Depth With Door Open | 50 1/4" |

### Dishwasher Cycles

|                  |     |
|------------------|-----|
| China Crystal    | Yes |
| Energy Saver     | Yes |
| Favorite         | Yes |
| Heavy            | Yes |
| Normal           | Yes |
| Number of Cycles | 9   |
| Quick            | Yes |
| Rinse Only       | Yes |
| Upper Rack       | Yes |

### Lower Rack

|                             |            |
|-----------------------------|------------|
| Fold-Down                   | Yes        |
| Number of Silverware Basket | 1          |
| Rack Type                   | Adjustable |

### Third Level Rack

|                  |     |
|------------------|-----|
| Third Level Rack | Yes |
| Rack Handles     | Yes |

### Exterior

|                        |        |
|------------------------|--------|
| Door and Handle Design | Handle |
|------------------------|--------|

### Electrical Specifications

|                |       |
|----------------|-------|
| Voltage Rating | 120 V |
|----------------|-------|

### General Specifications

|                  |         |
|------------------|---------|
| Sound Level      | 45 dBA  |
| Annual Energy    | 240 kWh |
| Prop 65 Label    | Yes     |
| Warranty - Labor | 1 Year  |
| Warranty - Parts | 1 Year  |

### Safety Certifications and Approvals

|               |     |
|---------------|-----|
| NSF Certified | Yes |
| UL Listed     | Yes |

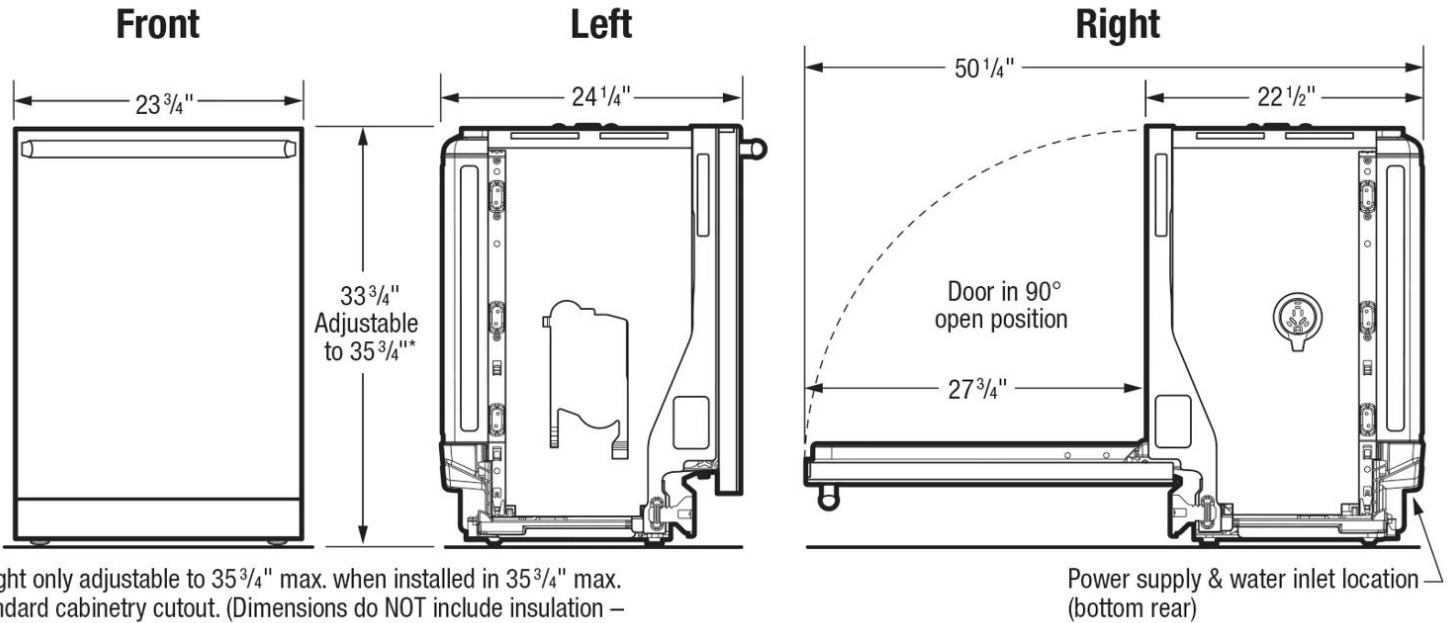
**Installation**

|                         |                   |
|-------------------------|-------------------|
| Connection Location     | Right Bottom      |
| Number of Leveling Legs | 3                 |
| Water Inlet Location    | Left Bottom Front |

**Performance Certifications and Approvals**

|                       |        |
|-----------------------|--------|
| CEE Tier              | Tier 1 |
| ENERGY STAR Certified | Yes    |

## Installation Diagram



Height only adjustable to 35 3/4" max. when installed in 35 3/4" max. standard cabinetry cutout. (Dimensions do NOT include insulation – insulation blanket may be compressed during installation.)

