



18" Built-In Dishwasher

Dishwasher

Available Products: FFBD1831UB, FFBD1831US, FFBD1831UW

Available Colors: Black, Stainless Steel, White

Version: 03/26

Product Specifications

Dishwasher

| | |
|------------------------|-----------------|
| Detergent Dispenser | Yes |
| Filter Material | Stainless Steel |
| Filter Trap | Removable |
| Filtered Water | 100 % |
| Motor Speeds | Single-Speed |
| Place Setting Capacity | 8 |
| Rinse Aid Dispenser | Yes |
| Lower Spray Arm | Bi-Beam |
| Middle Spray Arm | Bi-Beam |
| Upper Spray Arm | Spray Arm |
| Tub Color | Stainless Steel |
| Tub Material | Stainless Steel |
| Wash Levels | 4 |
| Wash System | Direct Feed |

Dishwasher Options

| | |
|------------------|-------------|
| Drying System | Static Vent |
| Heated Dry | Yes |
| High Temperature | Yes |
| Start/Cancel | Yes |

Upper Rack

| | |
|--------------|----------|
| Rack Coating | Nylon |
| Rack Type | Standard |

Exterior

| | |
|------------------------|--------|
| Door and Handle Design | Pocket |
|------------------------|--------|

Installation

| | |
|-------------------------|--------------|
| Connection Location | Right Bottom |
| Number of Leveling Legs | 4 |

Certifications and Approvals

| | |
|---------------|-----|
| ADA Compliant | Yes |
|---------------|-----|

Safety Certifications and Approvals

| | |
|------------------------------|-----|
| Meets ASSE 1006 Requirements | Yes |
| NSF Certified | Yes |

Dishwasher Cycles

| | |
|------------------|-----|
| China Crystal | Yes |
| Energy Saver | Yes |
| Heavy | Yes |
| Normal | Yes |
| Number of Cycles | 6 |
| Quick | Yes |
| Rinse Only | Yes |
| Upper Rack | No |

Lower Rack

| | |
|-----------------------------|----------|
| Number of Silverware Basket | 1 |
| Rack Coating | Nylon |
| Rack Type | Standard |

Controls

| | |
|-------------------|------------|
| Control Location | Front |
| Delay Start Hours | 1-24 Hours |
| Digital Display | Yes |

Dimensions and Volume

| | |
|----------------------|---------|
| Minimum Height | 32 1/2" |
| Maximum Height | 35 1/4" |
| Width | 18" |
| Depth | 24" |
| Depth With Door Open | 45 1/2" |

General Specifications

| | |
|------------------|---------|
| Sound Level | 52 dBA |
| Annual Energy | 240 kWh |
| Warranty - Labor | 1 Year |
| Warranty - Parts | 1 Year |

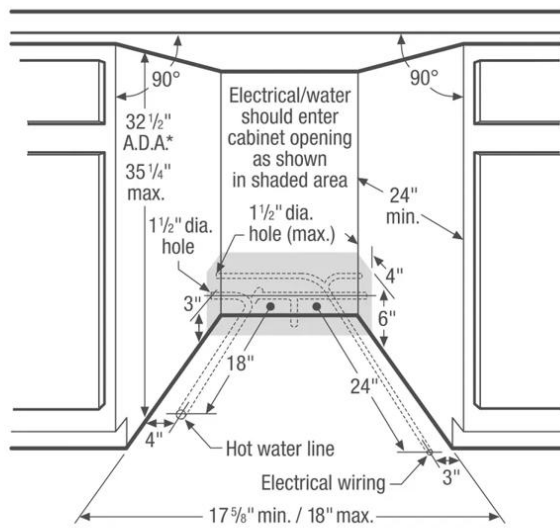
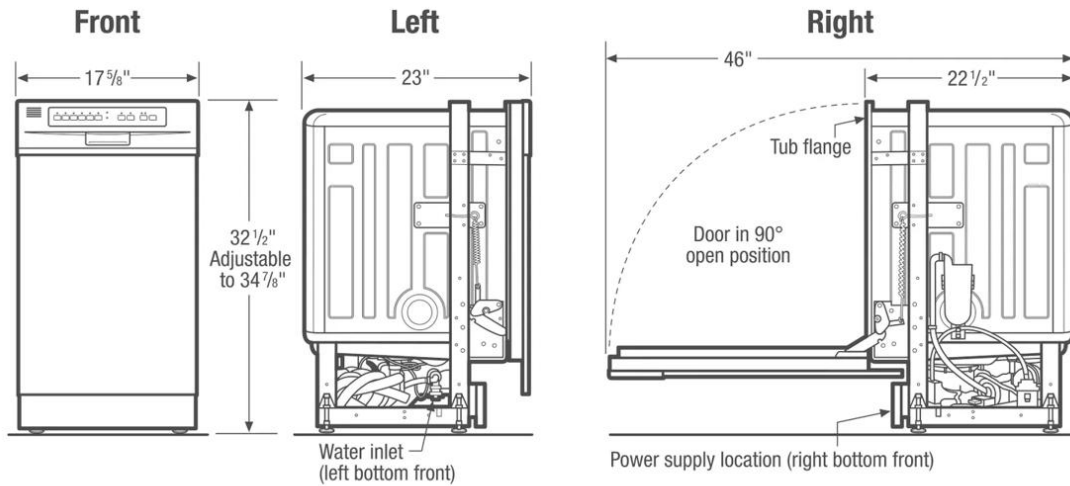
Performance Certifications and Approvals

| | |
|-----------------------|-----|
| ENERGY STAR Certified | Yes |
|-----------------------|-----|

Right to Repair Details

| | |
|-----------------|---|
| Right to Repair | Partially Available - Visit frigidaire.ca/right-to-repair for more information |
|-----------------|---|

Installation Diagram



*A.D.A. installation, (32 1/2") beneath 34"-high countertop may be accomplished by adjusting toe-kick and leveling legs.