

FRIGIDAIRE



RANGE HOOD

use & care

Installation Instructions

316902495 (June 2026)

LIB0198545B

2 INTRODUCTION

Introduction	2	Install Range Hood (Ducted version)	11
Important Safety Instructions	3	Install Range Hood (Recirculating version)	12
List of Materials	6	Range Hood Use	13
Location Requirements	6	Range Hood Care	13
Product Dimensions	7	Troubleshooting	15
Venting Requirements	7	Warranty	16
Prepare the Location	9		

Welcome to our family

Thank you for bringing Frigidaire into your home! We see your purchase as the beginning of a long relationship together.

This manual is your resource for the use and care of your product. Please read it before using your appliance. Keep it handy for quick reference. If something doesn't seem right, the troubleshooting section will help you with common issues.

FAQs, helpful tips and videos, cleaning products, and kitchen and home accessories are available at www.frigidaire.com.

We are here for you! Visit our website, chat with an agent, or call us if you need help. We may be able to help you avoid a service visit. If you do need service, we can get that started for you.

Keep your product info here so it's easy to find.

Model Number: _____

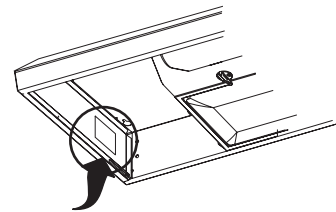
Serial Number: _____

Purchase Date: _____

Let's make it official! Be sure to register your product.

Visit us at Frigidaire.com/register

Or use your mobile device to scan the QR code.



The serial plate is in the left side of the range hood

✓ Installation Checklist

- Read all the safety instructions in the front of your Use & Care Manual.
- Remove all packaging materials from your appliance before cooking.
- Confirm that the electrical power to the appliance is turned on.
- Test range hood control to make sure it is working properly (page 13).
- Remember to complete your product registration!

Read all instructions before using this appliance.

Save these instructions for future references

Approved for residential appliances

For residential use only


This manual contains important safety symbols and instructions. Please pay attention to these symbols and follow all instructions given.

Do not attempt to install or operate your appliance until you have read the safety precautions in this manual. Safety items throughout this manual are labeled with a WARNING or CAUTION statement based on the risk type.

Warnings and important instructions appearing in this guide are not meant to cover all possible conditions and situations that may occur. Common sense, caution, and care must be exercised with installing, maintaining, or operating your appliance.

Always wear work gloves for all installation and maintenance operations

DEFINITIONS

 This is the safety alert symbol. It is used to alert of potential personal injury hazards. Obey all safety messages that follow this symbol to avoid possible injury or death.

WARNING

This symbol alerts you to situations that may cause serious body harm, death or property damage.

CAUTION

Indicates a potentially hazardous situation which, if not avoided, may result in minor or moderate injury.

IMPORTANT

Indicates installation, operation or maintenance information which is important but not hazard-related.

NOTE

Indicates a short, informal reference – something written down to assist the memory or for future reference.

IMPORTANT INSTRUCTIONS FOR UNPACKING AND INSTALLATION

CAUTION

FOR GENERAL VENTILATING USE ONLY. DO NOT USE TO EXHAUST HAZARDOUS OR EXPLOSIVE MATERIALS OR VAPORS.

CAUTION

To reduce risk of fire and to properly exhaust air, be sure to duct air outside - do not vent exhaust air into spaces within walls, ceilings, attics, crawl spaces, or garages.

WARNING

TO REDUCE THE RISK OF FIRE, USE ONLY METAL DUCT WORK.

Install this hood in accordance with all requirements specified.

WARNING

TO REDUCE THE RISK OF FIRE, ELECTRIC SHOCK, OR INJURY TO PERSONS, OBSERVE THE FOLLOWING:

a) Installation work and electrical wiring must be done by qualified person(s) in accordance with all applicable codes and standards, including fire-rated construction.

b) Sufficient air is needed for proper combustion and exhausting of gases through the flue (chimney) of fuel burning equipment to prevent back drafting. Follow the heating equipment manufacturer's guideline and safety standards such as those published by the National Fire Protection Association (NFPA), and the American Society for Heating, Refrigeration and Air Conditioning Engineers (ASHRAE), and the local code authorities.

c) When cutting or drilling into wall or ceiling, do not damage electrical wiring and other hidden utilities.

d) Ducted fans must always be vented to the outdoors.

WARNING

To Reduce The Risk Of Fire Or Electric Shock, Do Not Use This Hood With Any External Solid State Speed Control Device.

4 IMPORTANT SAFETY INSTRUCTIONS

WARNING

TO REDUCE THE RISK OF FIRE, ELECTRIC SHOCK, OR INJURY TO PERSONS, OBSERVE THE FOLLOWING:

- a) Use this unit only in the manner intended by the manufacturer. If you have questions, contact the manufacturer.
- b) Before servicing or cleaning unit, switch power off at service panel and lock the service disconnecting means to prevent power from being switched on accidentally. When the service disconnecting means cannot be locked, securely fasten a prominent warning device, such as a tag, to the service panel.

WARNING

TO REDUCE THE RISK OF INJURY TO PERSONS, IN THE EVENT OF A RANGE TOP GREASE FIRE, OBSERVE THE FOLLOWING:

- a) SMOTHER FLAMES with a close - fitting lid, cookie sheet, or other metal tray, then turn off the gas burner or the electric element.
BE CAREFUL TO PREVENT BURNS. If the flames do not go out immediately, EVACUATE AND CALL THE FIRE DEPARTMENT.
- b) NEVER PICK UP A FLAMING PAN - you may be burned.
- c) DO NOT USE WATER, including wet dishcloths or towels - a violent steam explosion will result.
- d) Use an extinguisher ONLY if:
 - 1) You know you have a class ABC extinguisher, and you already know how to operate it.
 - 2) The fire is small and contained in the area where it started.
 - 3) The fire department is being called.
 - 4) You can fight the fire with your back to an exit.

OPERATION

Always leave safety grills and filters in place. Without these components, operating blowers could catch onto hair, fingers and loose clothing.

The manufacturer declines all responsibility in the event of failure to observe the instructions given here for installation, maintenance and suitable use of the product. The manufacturer further declines all responsibility for injury due to negligence and the warranty of the unit automatically expires due to improper maintenance.

WARNING

TO REDUCE THE RISK OF A RANGE TOP GREASE FIRE.

- a) Never leave surface units unattended at high settings. Boilovers cause smoking and greasy spillovers that may ignite. Heat oils slowly on low or medium settings.
- b) Always turn hood ON when cooking at high heat or when flambéing food (i.e. Crepes Suzette, Cherries Jubilee, Peppercorn Beef Flambe').
- c) Clean ventilating fans frequently. Grease should not be allowed to accumulate on fan or filter.
- d) Use proper pan size. Always use cookware appropriate for the size of the surface element.

NOTE

This appliance is not intended for use by persons (including children) with reduced physical, sensory or mental capabilities, or lack of experience and knowledge, unless they have been given supervision or instruction concerning use of the appliance by a person responsible for their safety.

NOTE

Children should be supervised to ensure that they do not play with the appliance.

GROUNDING INSTRUCTIONS

WARNING

- Avoid fire hazard or electrical shock. Failure to follow this warning may cause serious injury, fire, or death.
- Avoid fire hazard or electrical shock. Do not use an adapter plug, use an extension cord, or remove grounding prong from the power cord. Failure to follow this warning may cause serious injury, fire, or death.

Observe all governing codes and ordinances.

Ensure that the electrical installation is adequate and in conformance with National Electrical Code, ANSI/NFPA 70 (latest edition), or CSA Standards C22.1-94, Canadian Electrical Code, Part 1 and C22.2 No. 0-M91 (latest edition) and all local codes and ordinances.

If codes permit and a separate ground wire is used, it is recommended that a qualified electrician determine that the ground path is adequate.

A copy of the above code standards can be obtained from:

National Fire Protection Association
 One Batterymarch Park Quincy, MA 02269
CSA International
 8501 East Pleasant Valley Road Cleveland,
 OH 44131-5575.

- A 120 volt, 60 Hz., AC only, 15-amp, fused electrical circuit is required.
 - If the house has aluminum wiring, follow the procedure below:
 1. Connect a section of solid copper wire to the pigtail leads.
 2. Connect the aluminum wiring to the added section of copper wire using special connectors and/or tools designed and UL listed for joining copper to aluminum.
- Follow the electrical connector manufacturer's recommended procedure. Aluminum/copper connection must conform with local codes and industry accepted wiring practices.

••Wire sizes and connections must conform with the rating of the appliance as specified on the model/serial rating plate.

The model/serial plate is located on the left side of the range hood.

••Wire sizes must conform to the requirements of the National Electrical Code ANSI/NFPA 70 — latest edition*, or CSA Standards C22.1-94, Canadian Electrical Code Part 1 and C22.2 No. 0-M91 - latest edition** and all local codes and ordinances.

If provided with an electrical plug, connect the hood to a receptacle that complies with current regulations and placed in an accessible position. Where an electrical plug is not provided (direct connection to electrical network) or the plug will not be in an accessible position after installation, place an approved bipolar switch in accessible position that provides full disconnection under overvoltage category III conditions, in accordance with local wiring rules.

It is the personal responsibility of the consumer to have the appropriate outlet or junction box with the correct, properly grounded wall receptacle installed by a qualified electrician. It is the responsibility and obligation of the consumer to contact a qualified installer to assure that the electrical installation is adequate and is in conformance with all local codes and ordinances.

IMPORTANT INSTRUCTIONS FOR CLEANING YOUR APPLIANCE

CAUTION

Before manually cleaning any part of the appliance, be sure all controls are turned off and the appliance is cool. Cleaning a hot appliance can cause burns.

Clean the appliance regularly to keep all parts free of grease that could catch fire. Do not allow grease to accumulate. Greasy deposits in the fan could catch fire.

Always follow the manufacturer's recommended directions for use of kitchen cleaners and aerosols. Be aware that excess residue from cleaners and aerosols may ignite causing damage and injury.

Clean ventilating hoods frequently - Grease should not be allowed to accumulate on hood or filter.

IMPORTANT INSTRUCTIONS FOR SERVICE AND MAINTENANCE

Do not repair or replace any part of the appliance unless specifically recommended in the manuals. All other servicing should be done only by a qualified technician. This reduces the risk of personal injury and damage to the appliance.

Always contact your dealer, distributor, service agent, or manufacturer about problems or conditions you do not understand.

Ask your dealer to recommend a qualified technician and an authorized repair service. Know how to disconnect the power to the appliance at the circuit breaker or fuse box in case of an emergency.

Do not touch a hot light bulb. Doing so could cause the bulb to break. Handle halogen lights (if equipped) with paper towels or soft gloves. Disconnect the appliance or shut off the power to the appliance before removing and replacing the bulb.




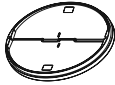
WARNING

California Residents: for cancer and reproductive harm information, visit www.P65Warnings.ca.gov

6

LIST OF MATERIALS

Parts included in your hood

<input type="checkbox"/> 1 - Vent	
<input type="checkbox"/> 1 - Grease Filter with Charcoal Filter	
<input type="checkbox"/> 4 - 0.45 x 1.3 cm mounting screws	
<input type="checkbox"/> 1- Optional Damper	

Parts Needed

- 2 - UL listed wire connectors
- Duct work as required
- Wall or roof cap with damper to match vent system as required
- Vent clamps/duct tape as required
- UL listed or CSA approved ½" strain relief

Tools/Materials required

- Drill
- ¼" (3.0 cm) drill bit
- ⅛" (0.3 cm) drill bit for pilot holes
- Pencil
- Wire stripper or utility knife
- Tape measure or ruler
- Caulking gun and weatherproof caulking compound
- Flat-blade screwdriver
- Phillips screwdriver
- Saber or keyhole saw

For cabinets with recessed bottoms:

- Two - 2" (5.1 cm) wide filler strips. Length and thickness determined by recess dimensions.
- Four flat head wood screws or machine screws with washers and nuts (to attach filler strips).

IMPORTANT

- Observe all governing codes and ordinances.
- It is the installer's responsibility to comply with rating plate. The model/serial rating plate is located inside the range hood on the left side (See page 2 for location). Range hood location should be away from strong draft areas, such as windows, doors and strong heating vents.

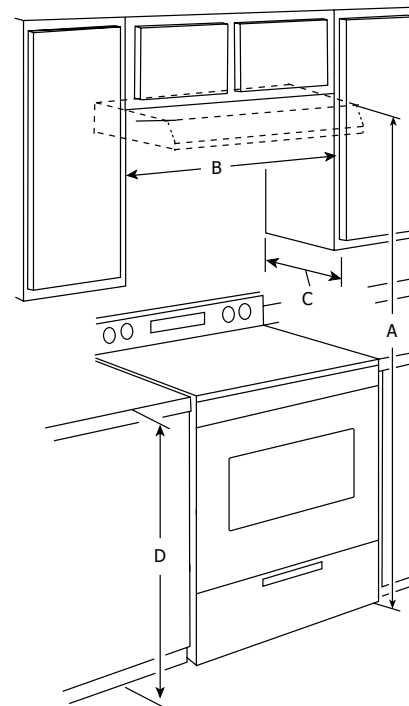
LOCATION REQUIREMENTS

IMPORTANT

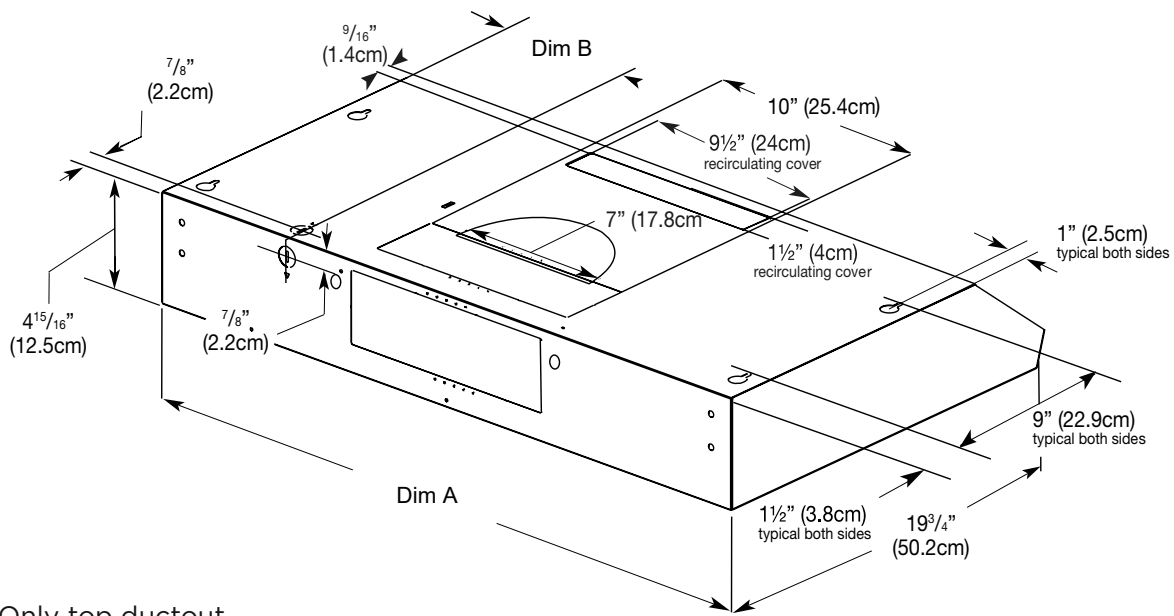
- Cabinet opening dimensions that are shown must be used. Given dimensions provide minimum clearance. Consult the cooktop/range manufacturer installation instructions before making any cutouts.
- Grounded electrical outlet is required. See "Electrical Requirements" section.
- All openings in ceiling and wall where canopy hood will be installed must be sealed.
- Remove protection from the product before installation (if applicable).

For Mobile Home Installations

The installation of this range hood must conform to the Manufactured Home Construction Safety Standards, Title 24 CFR, Part 328 (formerly the Federal Standard for Mobile Home Construction and Safety, Title 24, HUD, Part 280) or when such standard is not applicable, the standard for Manufactured Home Installation 1982 (Manufactured Home Sites, Communities and Setups) ANSI A225.1/NFPA 501A, or latest edition, or with local codes.



- A. 66" (167 cm) suggested min. - top of range hood to floor.
- B. 30" (76.2 cm) min. cabinet opening width.
- C. 13" (33.0 cm) cabinet depth
- D. 36" (91.4 cm) base cabinet height



Only top ductout

	Dim A	Dim B
FCVW3025AS	30" (76.2 cm)	6 9/16" (16.7 cm)
FCVW3025AW		
FCVW3025AB		

VENTING REQUIREMENTS

- Vent system must terminate to the outdoors.
- Do not terminate the vent system into an attic or other enclosed area.
- Do not use a 4" (10.2 cm) laundry-type wall cap.
- Use a 7" (17.8 cm) round metal vent. Rigid metal vent is recommended.
- Plastic or metal foil vent is not recommended.
- The length of vent system and number of elbows should be kept to a minimum to provide efficient performance.
- Use caulking to seal exterior wall or roof opening around the cap.
- Best performances are reached with straight piping, without elbows and using smooth pipe.
- Recommended equivalent calculated length vent system : round 50 ft (15.2m).

Cold Weather Installations

An additional back draft damper should be installed to minimize backward cold air flow and a thermal break should be installed to minimize conduction of outside temperatures as part of the vent system. The damper should be on the cold air side of the thermal break.

The break should be as close as possible to where the vent system enters the heated portion of the house.

Makeup Air

Local building codes may require the use of makeup air systems when using ventilation systems greater than specified CFM of air movement. The specified CFM varies from locale to locale. Consult your HVAC professional for specific requirements in your area.

For the most efficient and quiet operation:

- Use no more than three 90° elbows.
- Make sure there is a minimum of 24" (61 cm) of straight vent between the elbows if more than 1 elbow is used.
- Do not install 2 elbows together.
- Use clamps or duct tape to seal all joints in the vent system.
- The vent system at exit must have a cold air damper.

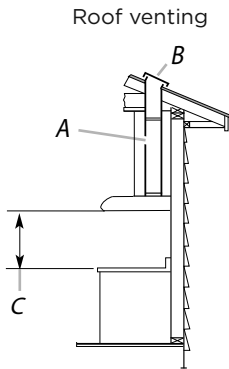
8

VENTING REQUIREMENTS

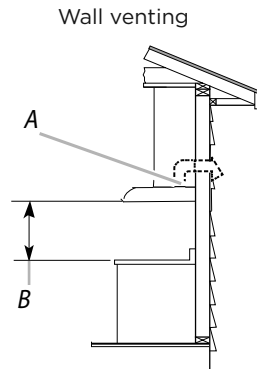
Vent system can terminate either through the roof or wall. Use 7" (17.8 cm) round vent with a maximum length of 50 ft (15.2 m) for vent system.

NOTE

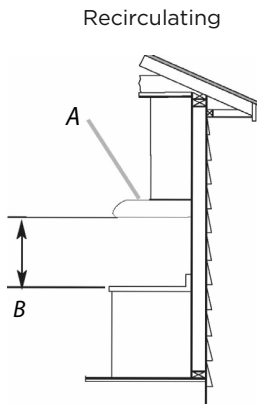
Flexible vent is not recommended. Flexible vent creates both back pressure and air turbulence that greatly reduce performance.



A. 7" (17.8 cm) round vent through the roof. (purchased separately)
 B. Roof cap with damper (purchased separately)
 C. 24" (61.0 cm) min. for electric ranges and 30" (76.2cm) min. for gas ranges installation above the cooking surface.



A. 7" (17.8 cm) round vent through the top (purchased separately)
 B. 24" (61.0 cm) min. for electric ranges and 30" (76.2cm) min. for gas ranges installation above the cooking surface.



A. Remove cover
 B. 24" (61.0 cm) min. for electric ranges and 30" (76.2cm) min. for gas ranges installation above the cooking surface.

Calculating Vent System Length

To calculate the length of the system you need, add the equivalent feet (meters) for each vent piece used in the system.

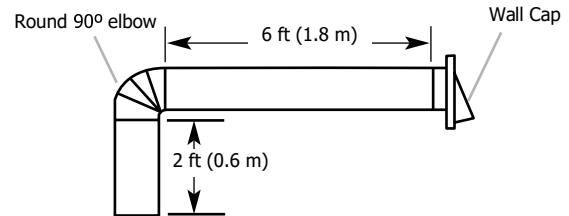
It's important to note that the actual equivalent length can vary depending on factors design, material and any internal obstructions within the fitting. This is a general guideline, and other sources may provide slightly different values

Manufacturer data and engineering references should always be consulted for accurate and up to date information on the equivalent length of a specific fitting.

7" (17.8 cm) Round Vent System

Vent Piece	Length	
90° elbow	15 ft (4.57 m)	
7" (17.8 cm) wall cap	0.0 ft (0.0 m)	

Example Vent System

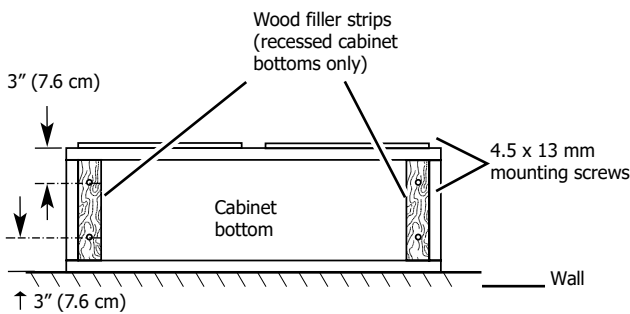


Maximum recommended length	= 50 ft (15.2 m)
90° elbow	= 15 ft (4.57 m)
6 ft (1.8 m) straight	= 6 ft (1.8 m)
1 wall cap	= 0.0 ft (0.0 m)
7" (17.8 cm) Wall cap	= 21 ft (6.37 m)

NOTE

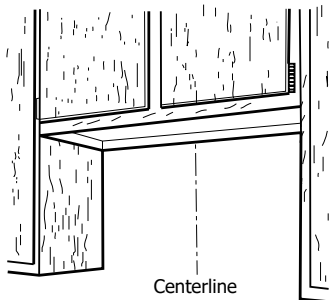
Before making cutouts, make sure there is proper clearance within the ceiling or wall.

1. Disconnect power.
2. Lift the range hood and set it upside down onto covered surface.
3. If cabinet has recessed bottom, add wood filler strips on each side. Install screws to attach filler strips in locations shown.



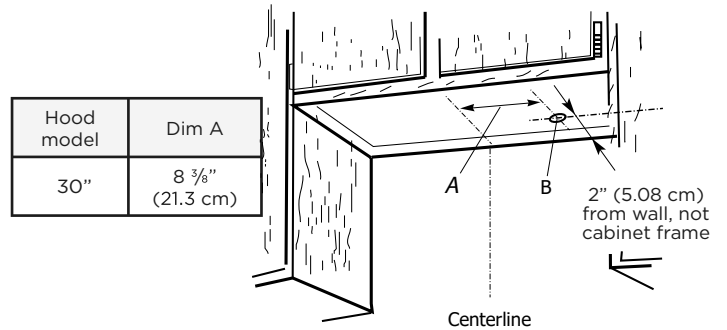
Determine Wiring Hole Location

1. Determine and clearly mark a vertical centerline on the wall and cabinet bottom.



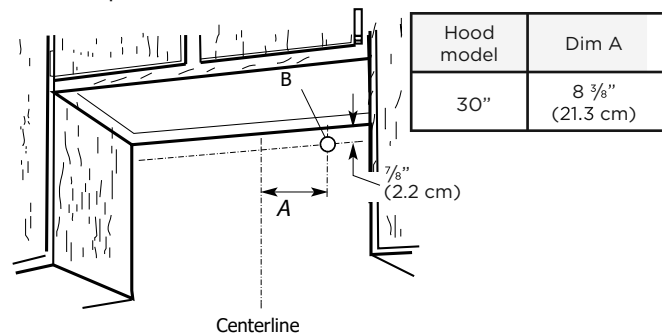
To wire through top:

2. Mark a line distance (A) from the right of the centerline on the underside of the cabinet. Mark the point on this line that is 2" (5.08 cm) from back wall. Drill a 1 1/4" (3.2 cm) diameter hole (B) through the cabinet at this point.



To wire through wall:

1. Mark a line distance (A) from the right of the centerline on the underside of the wall. Mark the point on this line that is 7/8" (2.2 cm) from the underside of the cabinet. Drill a 1 1/4" (3.2 cm) diameter hole (B) through the rear wall at this point.



VENTING

Choose venting exhaust discharge from the options listed that follows:

Style 1 - Recirculating Hood version

For this installation, go to "Install Range Hood (recirculating version)" on page 15.

NOTE: For installations which are venting out the roof or wall, **the recirculating vent cover must remain in place.**

NOTE: Consider use the A measure for 7" (17.8 cm) round transition and B measure for recirculating system on your cabinet dimensions.

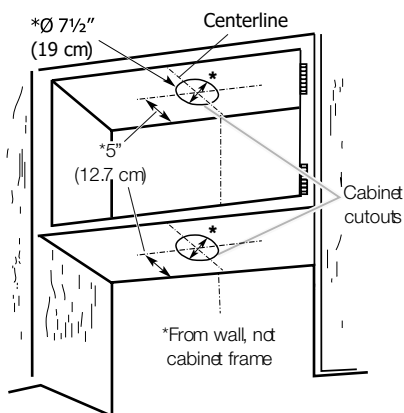
10 PREPARE THE LOCATION

Style 2 - Cut Openings for 7" (17.8 cm) Round Vent to Round Vent Transition

Roof Venting

To make a circular vent opening on the underside of the cabinet top:

1. Mark a centerline on the underside of the top of cabinet.
2. Mark a line 5" (12.7 cm) from the back wall on the underside of the top of cabinet.
3. Use a compass or a circle template to draw a circle with a diameter of 7½" (19 cm). Use saber or keyhole saw to cut the circular vent opening.
4. Repeat steps 1-3 for the underside of the top of the cabinet.



Install Vent System

1. Install vent through the vent opening in upper cabinet or wall. Complete venting system according to the selected venting method. See "Venting Requirements" section.
2. Use caulking to seal exterior wall or roof opening around the cap.

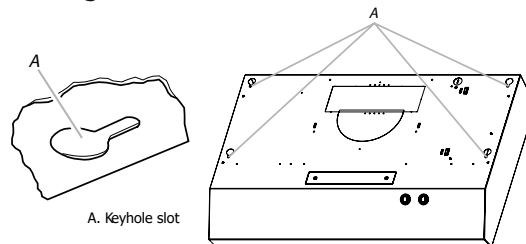
NOTE

Your model includes a 7" (17.8 cm) round vent mounting plate inside the package.

NOTE

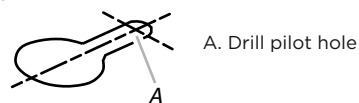
Before beginning installation, remove the transition installed in your hood.

1. Lift the range hood up under cabinet and determine final location by centering beneath cabinet. Mark on the underside of cabinet the location of the 4 keyhole mounting slots on the range hood (See slot dimensions on page 9). Set range hood aside on a covered surface.

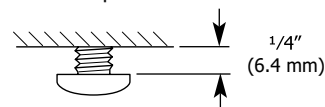


2. Use 1/8" (3 mm) drill bit and drill 4 pilot holes as shown.

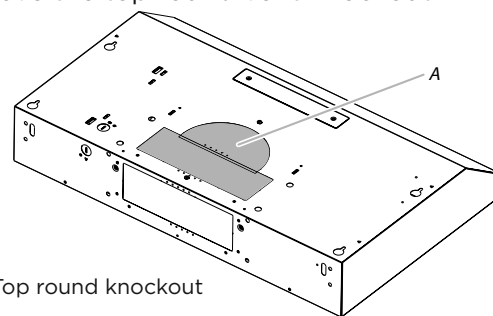
NOTE: Make the drill holes on the thin area of the slot.



3. Install the 4 - .45 cm x 1.3 cm mounting screws in pilot holes. Leave about 1/4" (6.4 mm) space between screw heads and cabinet to slide range hood into place.



4. Remove the top round vent knockout.



NOTE

The knockout should be removed with a screwdriver or leverage element, not a hammer.

DUCTED VERSION

Vent Connector Installation

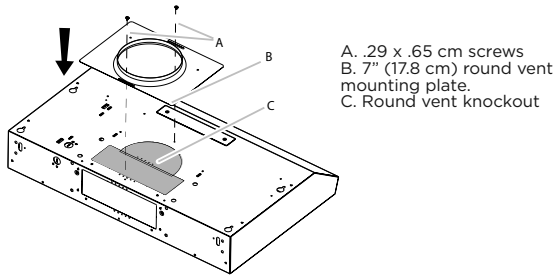
NOTE

Remove protective film entirely.

NOTE

Removal of the charcoal filter is required for this version. See section "Range Hood Care".

Install 7" (17.8 cm) round vent mounting plate. Attach to range hood using the indicated screws provided in hardware kit.



NOTE

The 7" (17.8 cm) round vent mounting plate can be installed up to 1" (2.5 cm) on either side of the hood center to accommodate off center ductwork.

Power Supply Cable Installation

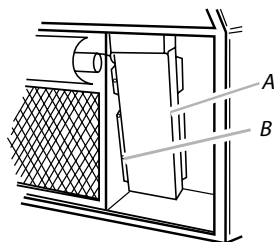
- For direct wire installations, run the home power supply cable according to the National Electric Code or CSA standards and local codes and ordinances.
There must be enough wiring from the fused disconnect (or circuit breaker) box to make the connection in the hood electrical terminal box.

NOTE

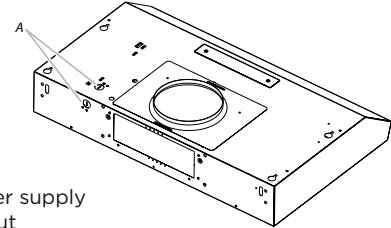
Do not reconnect power until the installation is complete.

- Remove the screw from the terminal box cover. Remove terminal box cover and set aside.

A. Terminal box cover
B. Screw



- Remove the power supply knockout from the top or rear of the vent hood (depending on the incoming location of your home power supply cable) and install a UL listed or CSA approved 1/2" strain relief.



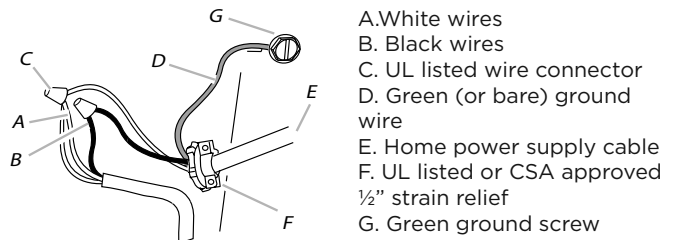
- Using 2 or more people, lift the hood into final position. Tighten the strain relief screws.
- Position the range hood so that the large end of the keyhole slots are over the mounting screws. Then push the hood toward the wall so that the screws are in the neck of the slots. Tighten the mounting screws, making sure the screws are in the narrow neck of slots.
- Connect vent duct work to hood. Seal joints with vent clamps or duct tape to make secure and airtight.
- Check that back draft dampers work properly.

MAKE ELECTRICAL CONNECTION

WARNING

Electrical Shock Hazard
Disconnect power before servicing.
Replace all parts and panels before operating.
Failure to do so can result in death or electrical shock.

- Disconnect power.



- Use UL listed wire connectors and connect white wires (A) together. **(there are two white wires on the hood, both must be connected to the power supply).**
- Use UL listed wire connectors and connect black wires (B) together.
- Connect green (or bare) ground wire from power supply to green ground screw in terminal box and securely tighten.
- Install terminal box cover and reconnect power.

12 INSTALL RANGE HOOD

WARNING

Fire Hazard
Electrically ground the blower. Use copper wire.
Connect ground wire to green ground screw in terminal box. Failure to do so can result in death, fire or electrical shock.

Complete Installation

1. Replace grease filter if removed. See the “Range Hood Care” section.
2. Check the operation of the range hood fan and light. See “Range Hood Use” section. If range hood does not operate, check to see whether a circuit breaker has tripped or a household fuse has blown. Disconnect power and check wiring connections.

NOTE

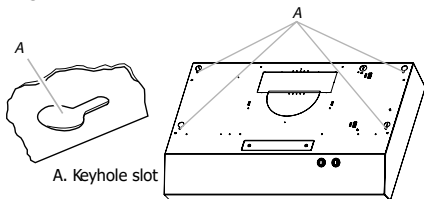
To get the most efficient use from your range hood, read “Range Hood Use” section.

RECIRCULATING VERSION

NOTE

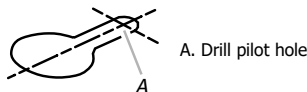
Remove protective film entirely.

1. Lift the range hood up under cabinet and determine final location by centering beneath cabinet. Mark on the underside of cabinet the location of the 4 keyhole mounting slots on the range hood (See slots dimensions on page 10). Set range hood aside on a covered surface.

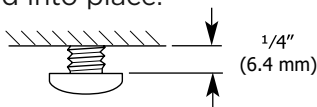


2. Use $\frac{1}{8}$ " (3 mm) drill bit and drill 4 pilot holes as shown.

NOTE: Make the drill holes on the thin area of the slot.



3. Install the 4 - .45 cm x 1.3 cm mounting screws in pilot holes. Leave about $\frac{1}{4}$ " (6.4 mm) space between screw heads and cabinet to slide range hood into place.



Power Supply Cable Installation

1. For direct wire installations, run the home power supply cable according to the National Electric Code or CSA standards and local codes and ordinances.
There must be enough wiring from the fused disconnect (or circuit breaker) box to make the connection in the hood electrical terminal box.

NOTE

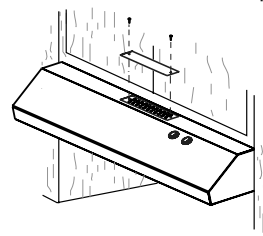
Do not reconnect power until the installation is complete.

2. Remove the screw from the terminal box cover. Remove terminal box cover and set aside.
3. Remove the power supply knockout from the top or rear of the vent hood (depending on the incoming location of your home power supply cable) and install a UL listed or CSA approved $\frac{1}{2}$ " strain relief.
4. Using 2 or more people, lift the hood into final position. Tighten the strain relief screws.
5. Position the range hood so that the large end of the keyhole slots are over the mounting screws. Then push the hood toward the wall so that the screws are in the neck of the slots. Tighten the mounting screws, making sure the screws are in the narrow neck of slots.

Recirculation Vent Cover

For installations which are recirculating the air exhaust, **the recirculation vent cover must be removed.**

Remove the recirculating vent cover by removing the 2 mounting screws with a Phillips screwdriver.



NOTE: For installations which are venting out the roof or wall, **the recirculating vent cover must remain in place.**

Do not remove as unit will not perform properly.

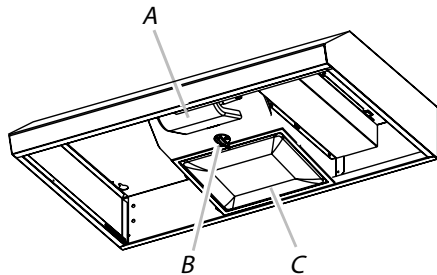
To complete the installation, go to “Make Electrical Connection” section on page 11.

NOTE: Consider use the A measure for 7”(17.8 cm) round transition and B measure for recirculating system.

The range hood is designed to remove smoke and cooking vapors from the cooktop area. For best results, start the hood before cooking and allow it to operate several minutes after the cooking is complete to clear all smoke from the kitchen.

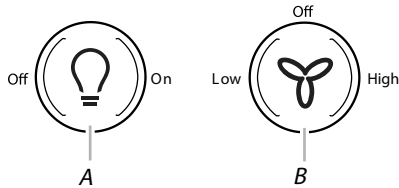
A Charcoal Filter Kit to remove odors is already included (2 filters). See page 14 for more information for the replacement of this kit.

The hood controls are located on the top of the range hood.



A. LED light housing and cover
B. Charcoal filter retainer
C. Grease filter

Hood Controls



A. On/Off light switch
B. Fan speed switch

Operating the light

Push the light switch to the right to turn the light On.

Push the light switch to the left to turn the light Off.

Operating the fan

Push the fan switch to the left for Low speed. Push the fan switch to the right for High speed. Push the fan switch to the middle for Off.

Cleaning



WARNING

To Reduce The Risk Of Fire Or Electrical shock disconnect from power supply before cleaning.



IMPORTANT

Clean the hood and grease filters frequently according to the following instructions. Replace grease filter before operating hood.



IMPORTANT

Exterior Surfaces

Do not use soap-filled scouring pads, abrasive cleaners, cooktop polishing creme, steel wool, gritty washcloths or paper towels.

To avoid damage to the stainless steel, do not use cleaners that contain chlorine.

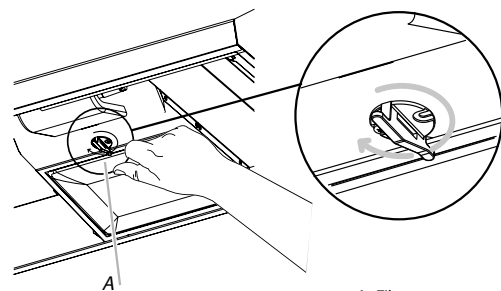
Cleaning Method:

- Use warm water with liquid detergent or all purpose cleaner and soft cloth to clean outside surfaces.
- Rinse with clean water and dry with soft, lint-free cloth.
- Use glass cleaner to remove fingerprints
- For stainless steel finish rub in direction of grain to avoid scratching or damaging the surface.

NOTE: Do not stainless steel brush to avoid scratching or damaging the surface.

To clean or replace grease filter:

1. Remove screw from the plastic filter retainer clip with phillips screwdriver
2. Turn the filter retainer to release filter.



A. Filter screw

3. Reinstall the filter by placing the back edge in the channel at rear of hood. Push filter into place, turn the filter retainer to secure filter to range hood.

14 RANGE HOOD CARE

4. Replace screw in the filter retainer
5. To clean grease filter, soak the filters in hot water using a mild detergent. Rinse well and shake to dry. Or place in upper rack of dishwasher to clean.

NOTE: Do not use ammonia. The aluminum on the grease filter will corrode and darken.

NOTE: You can use either dishwasher or hot detergent solution and rinse in clean water.

➔ NOTE

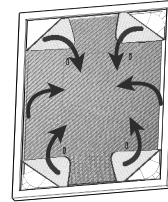
The grease filter is dishwasher safe.

To avoid grease filter damage while cleaning, place filter into the dishwasher top rack for cleaning

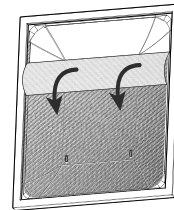
Charcoal / Grease Filter

1. For recirculating vent hood, an optional charcoal filter is available and already installed in filter.
2. The charcoal filter is not washable. It should last up to 6 months with normal use. Replace the old charcoal filter with a new one.
3. If you want to transform your hood for outdoor exhaust system you must remove the charcoal layer from the filter.

4. The charcoal layer is secured with a set of staples at the center of the filter; to remove the layer without damaging the filter, separate the edges of the charcoal from the frame until only the staples are left holding it.



5. Pull the charcoal layer in the direction parallel to the staples. If you pull in other direction, it could be more difficult to detach and the filter may suffer certain level of deformation.



6. The layer can easily be removed by hand but in case of need, use scissors to cut it out.

Problem	Possible Causes	Solutions
After installation, the unit doesn't work.	1. The power line and the cable locking connector is not connecting properly.	1. Check the power connection with the unit is connected properly.
	2. The wires from the switches are disconnected or loose.	2. Make sure the wires on the switches are connected properly.
Light works, but motor is not turning.	1. The motor is defective, possible seized.	1. Change the motor.
	2. The thermally protected system detects if the motor is too hot to operate and shuts the motor down.	2. The motor will function properly after the thermally protected system cool down.
	3. The motor wire is not connected.	3. Make sure the motor wire is plugged into the Molex connector.
The unit is vibrating.	1. The motor is not secure in place.	1. Tighten the motor in place.
	2. Damaged blower wheel.	2. Change the blower.
	3. The hood is not secured in place.	3. Check the installation of the hood.
The motor is working, but the lights are not.	1. Defective lamp.	1. Change the LED lamp.
	2. The LED lamp is loose.	2. Tighten the LED lamp.
	3. The wires on the light switch are loose.	3. Make sure the wires on light switch are connected properly.
The hood is not venting out properly.	1. The hood might be hanging too high from the cook top.	1. Adjust the distance between the cook top and the bottom of the hood within 24" (61 cm) and 32" (76.2 cm) range.
	2. The wind from the opened windows or opened doors in the surrounding area are affecting the ventilation of the hood.	2. Close all the windows and doors to eliminate the outside wind flow.
	3. Blockage in the duct opening or duct work.	3. Remove all the blocking from the duct work or duct opening.
	4. The direction of duct opening is against the wind.	4. Adjust the duct opening direction.
	5. Using the wrong size of ducting.	5. Change the ducting to correct size.
Metal filter is vibrating.	1. Grease filter is loose.	1. Make sure filter retainer still works.
	2. Filter retainer does not freely move	2. Replace grease filter.

frigidaire.ca/right-to-repair/

Though Frigidaire makes every effort to make replacement parts, repair services and information necessary to maintain or repair our products available to consumers, parts, service and information are not guaranteed, pursuant to section 39 of the Consumer Protection Act, CQLR, c. P-40.1 and sections 79.18 to 79.20 of the Regulation respecting the application of the Consumer Protection Act, CQLR, c P-40.1, r. 3.

16 WARRANTY

Your appliance is covered by a one year limited warranty. For one year from your original date of purchase, Electrolux will pay all costs for repairing or replacing any parts of this appliance that prove to be defective in materials or workmanship when such appliance is installed, used and maintained in accordance with the provided instructions.

Exclusions

This warranty does not cover the following:

1. Products with original serial numbers that have been removed, altered or cannot be readily determined.
2. Product that has been transferred from its original owner to another party or removed outside the USA or Canada.
3. Rust on the interior or exterior of the unit.
4. Products purchased "as-is" are not covered by this warranty.
5. Food loss due to any refrigerator or freezer failures.
6. Products used in a commercial setting.
7. Service calls which do not involve malfunction or defects in materials or workmanship, or for appliances not in ordinary household use or used other than in accordance with the provided instructions.
8. Service calls to correct the installation of your appliance or to instruct you how to use your appliance.
9. Expenses for making the appliance accessible for servicing, such as removal of trim, cupboards, shelves, etc., which are not a part of the appliance when it is shipped from the factory.
10. Service calls to repair or replace appliance light bulbs, air filters, water filters, other consumables, or knobs, handles, or other cosmetic parts.
11. Surcharges including, but not limited to, any after hour, weekend, or holiday service calls, tolls, ferry trip charges, or mileage expense for service calls to remote areas, including the state of Alaska.
12. Damages to the finish of appliance or home incurred during installation, including but not limited to floors, cabinets, walls, etc.
13. Damages caused by: services performed by unauthorized service companies; use of parts other than genuine Electrolux parts or parts obtained from persons other than authorized service companies; or external causes such as abuse, misuse, inadequate power supply, accidents, fires, or acts of God.

DISCLAIMER OF IMPLIED WARRANTIES; LIMITATION OF REMEDIES

CUSTOMER'S SOLE AND EXCLUSIVE REMEDY UNDER THIS LIMITED WARRANTY SHALL BE PRODUCT REPAIR OR REPLACEMENT AS PROVIDED HEREIN. CLAIMS BASED ON IMPLIED WARRANTIES, INCLUDING WARRANTIES OF MERCHANTABILITY OR FITNESS FOR A PARTICULAR PURPOSE, ARE LIMITED TO ONE YEAR OR THE SHORTEST PERIOD ALLOWED BY LAW, BUT NOT LESS THAN ONE YEAR. ELECTROLUX SHALL NOT BE LIABLE FOR CONSEQUENTIAL OR INCIDENTAL DAMAGES SUCH AS PROPERTY DAMAGE AND INCIDENTAL EXPENSES RESULTING FROM ANY BREACH OF THIS WRITTEN LIMITED WARRANTY OR ANY IMPLIED WARRANTY. SOME STATES AND PROVINCES DO NOT ALLOW THE EXCLUSION OR LIMITATION OF INCIDENTAL OR CONSEQUENTIAL DAMAGES, OR LIMITATIONS ON THE DURATION OF IMPLIED WARRANTIES, SO THESE LIMITATIONS OR EXCLUSIONS MAY NOT APPLY TO YOU. THIS WRITTEN WARRANTY GIVES YOU SPECIFIC LEGAL RIGHTS. YOU MAY ALSO HAVE OTHER RIGHTS THAT VARY FROM STATE TO STATE.

If You Need Service

Keep your receipt, delivery slip, or some other appropriate payment record to establish the warranty period should service be required. If service is performed, it is in your best interest to obtain and keep all receipts. Service under this warranty must be obtained by contacting Electrolux at the addresses or phone numbers below.

This warranty only applies in the USA and Canada. In the USA, your appliance is warranted by Electrolux Major Appliances North America, a division of Electrolux Home Products, Inc. In Canada, your appliance is warranted by Electrolux Canada Corp. Electrolux authorizes no person to change or add to any obligations under this warranty. Obligations for service and parts under this warranty must be performed by Electrolux or an authorized service company. Product features or specifications as described or illustrated are subject to change without notice.

USA
1-800-374-4432
Frigidaire
10200 David Taylor Drive
Charlotte, NC 28262



Canada
1.800.265.8352
Electrolux Canada Corp.
5855 Terry Fox Way
Mississauga, Ontario, Canada
L5V 3E4

Introduction	17	Installation de la hotte (version ventilée)	26
Consignes de sécurité importantes	18	Installation de la hotte (version recirculant)	27
Liste des matériaux	21	Utilisation de la hotte	28
Exigences en matière d'emplacement	21	Entretien de la hotte	29
Dimensions du produit	22	Dépannage	30
Exigences concernant l'évacuation	22	Garantie	31
Préparation de l'emplacement	24		

Bienvenue dans notre famille

Nous vous remercions d'avoir choisi Frigidaire pour habiter chez vous ! Nous considérons votre achat comme le début d'une longue relation. Ce manuel est votre ressource pour l'utilisation et l'entretien de votre produit. Veuillez le lire avant d'utiliser votre appareil. Gardez-le à portée de main pour pouvoir vous y référer rapidement. Si quelque chose ne va pas, la section de dépannage vous aidera à résoudre les problèmes les plus courants. FAQ, conseils utiles et vidéos, produits de nettoyage et accessoires pour la cuisine et la maison sont disponibles à l'adresse suivante

www.frigidaire.com. We est là pour vous ! Visitez notre site web, discutez avec un agent ou appelez-nous si vous avez besoin d'aide. Nous pouvons peut-être vous aider à éviter une visite d'entretien. Si vous avez besoin d'un service après-vente, nous pouvons le mettre en place pour vous.

Conservez les informations relatives à votre produit ici afin de pouvoir les retrouver facilement.

Numéro de modèle: _____

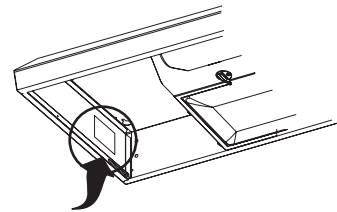
Numéro de série: _____

Date d'achat: _____

Rendons-le officiel ! Veuillez à enregistrer votre produit.

Visitez le site Frigidaire.com/register

Ou utilisez votre appareil mobile pour scanner le code QR.



La plaque de série se trouve sur le côté gauche de la hotte.

✓ Liste de contrôle pour l'installation

- Lisez toutes les consignes de sécurité figurant au début du manuel d'utilisation et d'entretien.
- Retirez tous les matériaux d'emballage de votre hotte avant de l'utiliser.
- Vérifiez que l'appareil est sous tension.
- Testez la commande de la hotte pour vous assurer qu'elle fonctionne correctement (page 28).
- N'oubliez pas d'enregistrer votre produit !

18 CONSIGNES DE SÉCURITÉ IMPORTANTES

Lisez toutes les instructions avant d'utiliser cet appareil.

Conservez ces instructions pour toute référence ultérieure.

Approuvé pour les appareils résidentiels.

Pour un usage résidentiel uniquement.

Ce manuel contient des symboles et des instructions de sécurité importants.


Ne tentez pas d'installer ou d'utiliser votre appareil avant d'avoir lu les consignes de sécurité de ce manuel.

Les avertissements et les instructions importantes figurant dans ce guide ne sont pas censés couvrir toutes les conditions et situations possibles.

Il convient de faire preuve de bon sens, de prudence et d'attention lors de l'installation, de l'entretien et de l'utilisation de l'appareil.

Munissez-vous de gants de travail avant d'effectuer toute opération d'installation et d'entretien.

DÉFINITIONS

 Il s'agit du symbole d'alerte de sécurité. Il est utilisé pour attirer l'attention sur les risques potentiels de blessures. Respectez tous les messages de sécurité qui suivent ce symbole afin d'éviter tout risque de blessure ou de décès.

AVERTISSEMENT

Ce symbole vous avertit de situations pouvant entraîner de graves lésions corporelles, la mort ou des dommages matériels.

ATTENTION

Indique une situation potentiellement dangereuse qui, si elle n'est pas évitée, peut entraîner des blessures mineures ou modérées.

IMPORTANT

Indique des informations importantes sur l'installation, le fonctionnement ou l'entretien, mais qui ne sont pas liées au danger.

NOTE

Indique une référence courte et informelle - quelque chose d'écrit pour aider la mémoire ou pour une référence future.

INSTRUCTIONS IMPORTANTES POUR LE DÉBALLAGE ET L'INSTALLATION

ATTENTION

POUR UN USAGE GÉNÉRAL DE VENTILATION. NE PAS UTILISER POUR ÉVACUER DES MATIÈRES OU DES VAPEURS DANGEREUSES OU EXPLOSIVES

ATTENTION

Pour réduire les risques d'incendie et évacuer correctement l'air, veillez à faire passer l'air à l'extérieur - n'évacuez pas l'air vicié dans les murs, les plafonds, les greniers, les vides sanitaires ou les garages.

AVERTISSEMENT

POUR RÉDUIRE LE RISQUE D'INCENDIE, N'UTILISEZ QUE DES CONDUITS MÉTALLIQUES.
Installer cette hotte conformément à toutes les exigences spécifiées.

AVERTISSEMENT

POUR RÉDUIRE LES RISQUES D'INCENDIE, D'ÉLECTROCUTION OU DE BLESSURE, OBSERVEZ CE QUI SUIT:

- Les travaux d'installation et le câblage électrique doivent être effectués par une ou des personnes qualifiées, conformément à tous les codes et normes applicables, y compris la construction ignifugée.
- Une quantité d'air suffisante est nécessaire pour assurer une bonne combustion et l'évacuation des gaz par le conduit (cheminée) de l'équipement de combustion afin d'éviter le refoulement. Respectez les directives du fabricant de l'appareil de chauffage et les normes de sécurité telles que celles publiées par la National Fire Protection Association (NFPA) et l'American Society for Heating, Refrigeration and Air Conditioning Engineers (ASHRAE), ainsi que les réglementations locales.
- Lorsque vous découpez ou percez un mur ou un plafond, n'endommagez pas le câblage électrique et les autres services cachés.
- Les ventilateurs à conduit doivent toujours être ventilés vers l'extérieur.

AVERTISSEMENT

Pour réduire le risque d'incendie ou de choc électrique, n'utilisez pas cette hotte avec un dispositif externe de contrôle de la vitesse à semi-conducteurs.

AVERTISSEMENT

POUR RÉDUIRE LES RISQUES D'INCENDIE, D'ÉLECTROCUTION OU DE BLESSURE, OBSERVEZ CE QUI SUIT:

- a) N'utilisez cet appareil que de la manière prévue par le fabricant. Si vous avez des questions, contactez le fabricant.
- b) Avant de procéder à l'entretien ou au nettoyage de l'appareil, coupez l'alimentation au niveau du panneau de service et verrouillez le dispositif de déconnexion du service afin d'éviter toute remise sous tension accidentelle. S'il n'est pas possible de verrouiller le dispositif de déconnexion, fixez solidement un dispositif d'avertissement bien visible, tel qu'une étiquette, sur le panneau de service.

AVERTISSEMENT

POUR RÉDUIRE LES RISQUES DE BLESSURES, EN CAS D'INCENDIE DE GRAISSE SUR LE DESSUS DE LA CUISINIÈRE, OBSERVEZ CE QUI SUIT:

- a) ÉTEIGNEZ LES FLAMMES avec un couvercle hermétique, une plaque à biscuits ou un autre plateau métallique, puis éteignez le brûleur à gaz ou l'élément électrique. Si les flammes ne s'éteignent pas immédiatement, EVACUEZ ET APPELEZ LES POMPIERS.
- b) Ne ramassez jamais une casserole enflammée - vous pourriez vous brûler.
- c) N'UTILISEZ PAS D'EAU, y compris des torchons ou des serviettes mouillés - une violente explosion de vapeur s'ensuivrait.
- d) Utilisez un extincteur UNIQUEMENT si:
 - 1) Vous savez que vous avez un extincteur de classe ABC et vous savez déjà comment l'utiliser.
 - 2) Le feu est petit et contenu dans la zone où il a commencé.
 - 3) Le service d'incendie est appelé.
 - 4) Vous pouvez combattre l'incendie en tournant le dos à une sortie.

FONCTIONNEMENT

Laissez toujours les grilles de sécurité et les filtres en place. Sans ces éléments, les souffleurs en fonctionnement pourraient s'accrocher aux cheveux, aux doigts et aux vêtements amples.

Le fabricant décline toute responsabilité en cas de non-respect des instructions données ici pour l'installation, l'entretien et l'utilisation appropriée du produit.

Le fabricant décline également toute responsabilité en cas de blessures dues à la négligence et la garantie de l'appareil expire automatiquement en cas d'entretien inapproprié.

AVERTISSEMENT

POUR RÉDUIRE LE RISQUE D'INCENDIE DE GRAISSE SUR LA CUISINIÈRE.

- a) Ne laissez jamais les appareils de surface sans surveillance à des réglages élevés. Les ébullitions provoquent des fumées et des débordements graisseux qui peuvent s'enflammer. Faites chauffer les huiles lentement à feu doux ou moyen.
- b) Mettez toujours la hotte en marche lorsque vous cuisinez à feu vif ou lorsque vous flambez des aliments (par exemple, Crêpes Suzette, Cerises Jubilee, Peppercorn Beef Flambe').
- c) Nettoyez fréquemment les ventilateurs. La graisse ne doit pas s'accumuler sur le ventilateur ou le filtre.
- d) Utilisez des casseroles de taille appropriée. Utilisez toujours des ustensiles de cuisine adaptés à la taille de l'élément de surface.

NOTE

L'appareil n'est pas destiné à une utilisation par des enfants ou des personnes à capacités physiques, sensorielles ou mentales réduites et sans expérience et connaissance à moins qu'ils ne soient sous la supervision ou formés sur l'utilisation par une personne responsable de leur sécurité.

NOTE

Les enfants doivent être surveillés afin qu'ils ne jouent pas avec l'appareil.

INSTRUCTIONS DE MISE A LA TERRE

AVERTISSEMENT

- Éviter tout risque d'incendie ou de choc électrique. Le non-respect de cet avertissement peut entraîner des blessures graves, un incendie ou la mort.
- Ne pas utiliser d'adaptateur, de rallonge ou retirer la broche de mise à la terre du cordon d'alimentation. Le non-respect de cet avertissement peut entraîner des blessures graves, un incendie ou la mort.

S'assurer que l'installation électrique est adéquate et conforme au National Electrical Code, ANSI/NFPA 70 (dernière édition), ou aux normes CSA C22.1-94, Canadian Electrical Code, Part 1 and C22.2 No. 0-M91 (dernière édition) et à tous les codes et ordonnances locaux.

Si les codes le permettent et qu'un fil de terre séparé est utilisé, il est recommandé qu'un électricien qualifié détermine que le chemin de terre est adéquat.

20 CONSIGNES DE SÉCURITÉ IMPORTANTES

Une copie des normes de code ci-dessus peut être obtenue à l'adresse suivante:

National Fire Protection Association
One Batterymarch Par Quincy, MA 02269
CSA International
8501 East Pleasant Valley Road
Cleveland, OH 44131-5575.

•• Un circuit électrique de 120 volts, 60 Hz, c.a. uniquement, 15 ampères, avec fusible est nécessaire.

•• Si la maison est équipée d'un câblage en aluminium, suivez la procédure ci-dessous:

1. Connectez une section de fil de cuivre solide aux fils de la queue de cochon.

2. Connectez le câblage en aluminium à la section de fil de cuivre ajoutée à l'aide de connecteurs et/ou d'outils spéciaux conçus et homologués UL pour relier le cuivre à l'aluminium. Suivez la procédure recommandée par le fabricant de connecteurs électriques.

La connexion aluminium/cuivre doit être conforme aux codes locaux et aux pratiques de câblage acceptées par l'industrie.

•• La taille des fils et les connexions doivent être conformes à la puissance de l'appareil telle que spécifiée sur la plaque signalétique du modèle/série. La plaque signalétique du modèle/série est située sur le côté gauche de la hotte.

•• La taille des fils doit être conforme aux exigences du Code national de l'électricité ANSI/NFPA 70 - dernière édition*, ou aux normes CSA C22.1-94, Code canadien de l'électricité Partie 1 et C22.2 No. 0-M91 - dernière édition** et à tous les codes et règlements locaux. 1-94, Code canadien de l'électricité, partie 1 et C22.2 No. 0-M91 - dernière édition** et à tous les codes et ordonnances locaux.

Si la hotte est munie d'une fiche électrique, branchez-la à une prise conforme à la réglementation en vigueur et placée dans une position accessible.

Si la hotte n'est pas munie d'une prise électrique (connexion directe au réseau électrique) ou si la prise ne sera pas accessible après l'installation, placez un interrupteur bipolaire approuvé dans la position accessible qui permet une déconnexion complète dans des conditions de surtension de catégorie III, conformément aux règles de câblage locales.

Il est de la responsabilité et de l'obligation du consommateur de contacter un installateur qualifié pour s'assurer que l'installation électrique est adéquate et conforme à tous les codes et

INSTRUCTIONS IMPORTANTES POUR LE NETTOYAGE DE VOTRE APPAREIL



ATTENTION

Avant de nettoyer manuellement une partie de l'appareil, assurez-vous que toutes les commandes sont éteintes et que l'appareil est froid. Le nettoyage d'un appareil chaud peut provoquer des brûlures.

Nettoyez régulièrement l'appareil pour éviter que toutes les pièces ne contiennent de la graisse qui pourrait s'enflammer. Ne laissez pas la graisse s'accumuler.

Respectez toujours le mode d'emploi recommandé par le fabricant pour l'utilisation des nettoyants de cuisine et des aérosols. Nettoyez fréquemment les hottes de ventilation - La graisse ne doit pas s'accumuler sur la hotte ou le filtre.

INSTRUCTIONS IMPORTANTES POUR L'ENTRETIEN ET LA MAINTENANCE

Ne réparez ou ne remplacez aucune pièce de l'appareil à moins que cela ne soit spécifiquement recommandé dans les manuels.

Tout autre entretien doit être effectué par un technicien qualifié, afin de réduire les risques de blessures et d'endommagement de l'appareil.

Contactez toujours votre revendeur, distributeur, agent de service ou fabricant pour les problèmes ou les conditions que vous ne comprenez pas.

Demandez à votre revendeur de vous recommander un technicien qualifié et un service de réparation agréé. Sachez comment couper l'alimentation de l'appareil au niveau du disjoncteur ou de la boîte à fusibles en cas d'urgence.

Ne touchez pas une ampoule chaude.

Ne pas toucher une ampoule chaude, car elle pourrait se briser.




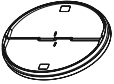
Manipulez les lampes halogènes (le cas échéant) avec des serviettes en papier ou des gants souples. Débranchez l'appareil ou coupez le courant avant de retirer ou de remplacer l'ampoule.



AVERTISSEMENT

Résidents de Californie : pour obtenir des informations sur le cancer et les effets nocifs sur la reproduction, consultez le site suivant www.P65Warnings.ca.gov

Pièces incluses dans votre capot

❑ 1 - Évent	
❑ 1 - Filtre à graisse avec Filtre à charbon	
❑ 4 - 0.45 x 1.3 cm vis de montage	
❑ 1- Clapet optionnel	

Pièces nécessaires

- ❑ Connecteurs de fils homologués UL
- ❑ Conduits, selon les besoins
- ❑ Capuchon de mur ou de toit avec registre pour correspondre au système d'évacuation selon les besoins.
- ❑ Colliers de serrage/ruban de conduit selon les besoins
- ❑ Serre-câble de 1/2" homologué UL ou approuvé CSA

Outils/matériels nécessaires

- ❑ Perceuse
- ❑ Foret de 1/4" (3,0 cm)
- ❑ Mèche de 1/8" (0,3 cm) pour les avant-trous
- ❑ Crayon
- ❑ Pince à dénuder ou couteau utilitaire
- ❑ Ruban à mesurer ou règle
- ❑ Pistolet à calfeutrer et produit de calfeutrage résistant aux intempéries
- ❑ Tournevis plat
- ❑ Tournevis cruciforme
- ❑ Scie sabre ou scie à guichet

Pour les armoires dont le fond est encastré:

- ❑ Deux bandes de remplissage de 5,1 cm de large.
- ❑ Quatre vis à bois à tête plate ou vis mécaniques avec rondelles et écrous (pour fixer les bandes de remplissage).

➔ IMPORTANT

Respecter tous les codes et ordonnances en vigueur.

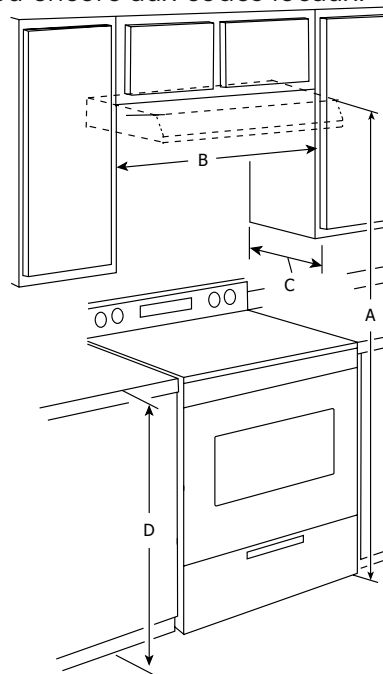
- Il incombe à l'installateur de se conformer à la plaque signalétique. La plaque signalétique du modèle et du numéro de série se trouve à l'intérieur de la hotte, sur le côté gauche (voir page 17 pour l'emplacement). L'emplacement de la hotte doit être éloigné des zones de fort courant d'air, telles que les fenêtres, les portes et les bouches de chauffage puissantes.

➔ IMPORTANT

- Les dimensions de l'ouverture de l'armoire indiquées doivent être respectées. Les dimensions indiquées correspondent à un dégagement minimum. Consultez les instructions d'installation du fabricant de la table de cuisson ou de la cuisinière avant d'effectuer des coupes.
- Une prise électrique avec mise à la terre est nécessaire. Voir la section "Exigences électriques".
- Toutes les ouvertures dans le plafond et le mur où la hotte sera installée doivent être scellées.
- Retirer la protection du produit avant l'installation (le cas échéant).

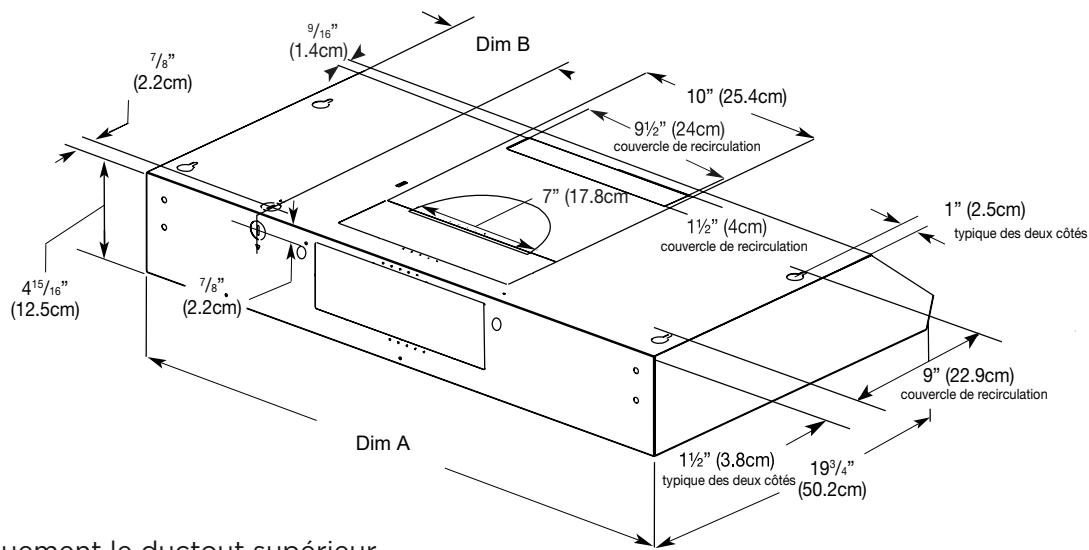
Pour les installations de maisons mobiles

L'installation de cette hotte doit être conforme aux Manufactured Home Construction Safety Standards, Title 24 CFR, Part 328 (anciennement Federal Standard for Mobile Home Construction and Safety, Title 24, HUD, Part 280) ou, lorsque cette norme n'est pas applicable, à la norme Manufactured Home Installation 1982 (Manufactured Home Sites, Communities and Setups) ANSI A225.1/NFPA 501A, ou à sa dernière édition, ou encore aux codes locaux.



- A. 66" (167 cm) suggérés au minimum - du haut de la hotte au sol.
- B. 30" (76,2 cm) de largeur d'ouverture de meuble minimum.
- C. Profondeur de l'armoire 13" (33,0 cm)
- D. Hauteur de l'armoire de base 36" (91,4 cm)

22 DIMENSIONS DU PRODUIT



Uniquement le ductout supérieur

	Dim A	Dim B
FCVW3025AS	30" (76.2 cm)	6 9/16" (16.7 cm)
FCVW3025AW		
FCVW3025AB		

EXIGENCES CONCERNANT L'ÉVACUATION

- Le système d'évacuation doit se terminer à l'extérieur.
- Ne terminez pas le système d'évacuation dans un grenier ou un autre endroit fermé.
- N'utilisez pas de capuchon mural de 4" (10,2 cm) de type buanderie.
- Utilisez un évent métallique rond de 7" (17,8 cm). La longueur du système d'évacuation et le nombre de coudes doivent être réduits au minimum pour assurer un fonctionnement efficace.
- Les meilleures performances sont atteintes avec une tuyauterie droite, sans coudes et en utilisant un tuyau lisse.
- Longueur équivalente calculée recommandée pour le système d'évacuation: rond 50 ft (15.2m).

Installations par temps froid

Un clapet anti-retour supplémentaire doit être installé pour minimiser le flux d'air froid vers l'arrière et une coupure thermique doit être installée pour minimiser la conduction des températures extérieures dans le cadre du système de ventilation.

Le registre doit être placé du côté de l'air froid de la coupure thermique, aussi près que possible de l'endroit où le système de ventilation pénètre dans la partie chauffée de la maison.

Air de maquillage

Les codes de construction locaux peuvent exiger l'utilisation de systèmes d'air d'appoint en cas d'utilisation de systèmes de ventilation dont le débit d'air est supérieur au CFM spécifié. Le CFM spécifié varie d'un endroit à l'autre. Consultez votre professionnel du chauffage, de la ventilation et de la climatisation pour connaître les exigences spécifiques à votre région.

Pour un fonctionnement efficace et silencieux:

- N'utilisez pas plus de trois coudes à 90°. Assurez-vous qu'il y a un minimum de 24" (61 cm) d'évacuation droite entre les coudes si plus d'un coude est utilisé.
- N'installez pas deux coudes ensemble. Utilisez des colliers ou du ruban adhésif pour sceller tous les joints du système d'évacuation.
- Le système d'évacuation à la sortie doit être muni d'un registre d'air froid. Utilisez un produit de calfeutrage pour sceller l'ouverture du mur extérieur ou du toit autour du capuchon.

Le système d'évacuation peut se terminer soit par le toit, soit par le mur. Utilisez un évent rond de 7" (17,8 cm) avec une longueur maximale de 50 pieds (15,2 m) pour le système d'évacuation.

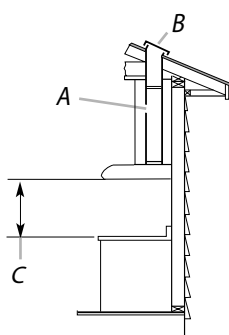
NOTE

L'évent flexible n'est pas recommandé. L'évent flexible crée à la fois une contre-pression et des turbulences d'air qui réduisent considérablement les performances.

Il est important de noter que la longueur équivalente réelle peut varier en fonction de facteurs tels que la conception, le matériau et les obstructions internes du raccord. Il s'agit d'une indication générale et d'autres sources peuvent fournir des valeurs légèrement différentes.

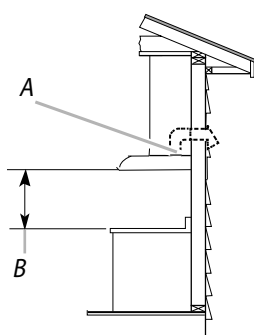
Il convient de toujours consulter les données du fabricant et les références techniques pour obtenir des informations précises et actualisées sur la longueur équivalente d'un raccord spécifique.

Ventilation du toit



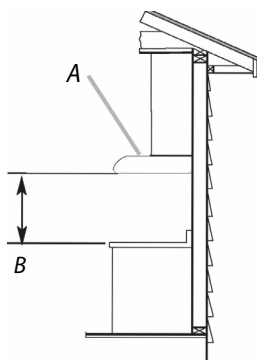
- A. Évent rond de 7" (17,8 cm) à travers le toit. (acheté séparément)
- B. Chapeau de toit avec registre (acheté séparément)
- C. 24" (61,0 cm) min. pour les cuisinières électriques et 30" (76,2 cm) min. pour les cuisinières à gaz au-dessus de la surface de cuisson.

Ventilation murale



- A. 7" (17,8 cm) rond à travers le dessus (acheté séparément)
- B. 24" (61,0 cm) min. pour les cuisinières électriques et 30" (76,2 cm) min. pour les cuisinières à gaz au-dessus de la surface de cuisson.

Recirculation



- A. Retirer le couvercle
- B. 24" (61,0 cm) min. pour les cuisinières électriques et 30" (76,2 cm) min. pour les cuisinières à gaz, au-dessus de la surface de cuisson.

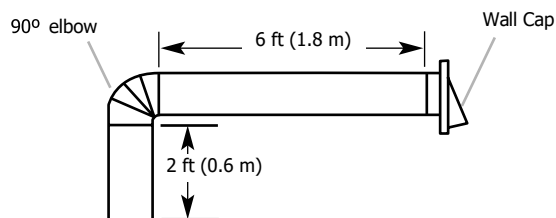
Calcul de la longueur du système d'évacuation

Pour calculer la longueur du système dont vous avez besoin, ajoutez l'équivalent en pieds (mètres) de chaque pièce d'évent utilisée dans le système.

Système d'évent rond de 7" (17,8 cm)

Pièce d'évent	Longueur	
Coude à 90°	15 ft (4.57 m)	
Capuchon mural de 7" (17,8 cm)	0.0 ft (0.0 m)	

Exemple de système de ventilation



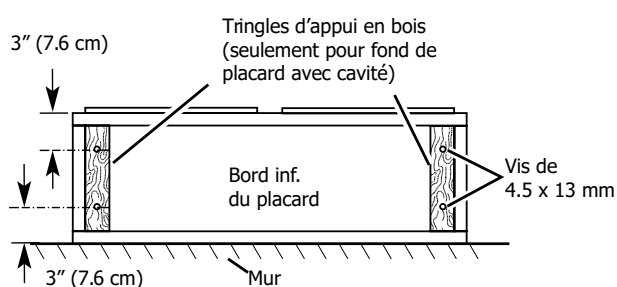
Longueur maximale recommandée	= 50 ft (15.2 m)
Coude à 90°	= 15 ft (4.57 m)
6 ft (1.8 m) droit	= 6 ft (1.8 m)
1 capuchon de mur	= 0.0 ft (0.0 m)
Capuchon de mur 7" (17.8 cm)	= 21 ft (6.37 m)

24 PRÉPARATION DE L'EMPLACEMENT

NOTE

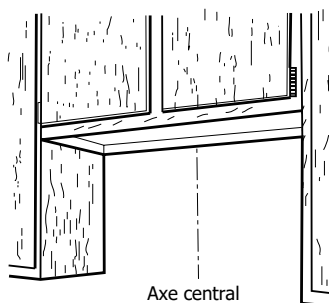
Avant d'effectuer des coupes, assurez-vous que le plafond ou le mur est suffisamment dégagé.

1. Débranchez l'alimentation électrique.
2. Soulever la hotte et la poser à l'envers sur la surface couverte.
3. Si le fond du placard forme une cavité, ajouter des tringles d'appui en bois de chaque côté. Installer les vis pour fixer les tringles d'appui aux emplacements indiqués.



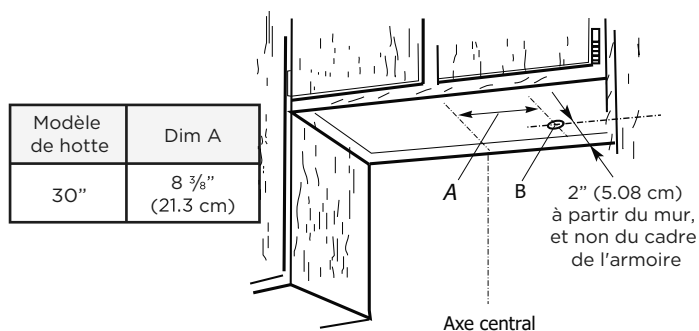
Déterminer l'emplacement des trous de câblage

1. Déterminez et marquez clairement une ligne médiane verticale sur le mur et le fond du meuble.



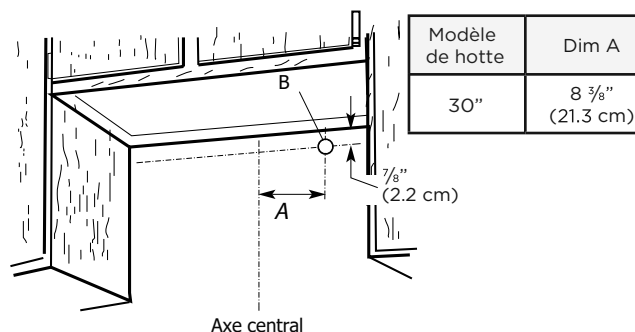
Pour passer le fil par le haut:

2. Tracez une ligne de distance (A) à partir de la droite de l'axe central sur le dessous de l'armoire. Marquez le point de cette ligne qui se trouve à 5,08 cm (2") du mur arrière. Percez un trou de 1/4" (3,2 cm) de diamètre (B) à travers l'armoire à cet endroit.



Pour le câblage à travers le mur :

1. Tracez une ligne de distance (A) à partir de la droite de l'axe central sur le dessous du mur. Marquez le point de cette ligne qui se trouve à 7/8" (2,2 cm) du dessous de l'armoire. Percez un trou de 1/4" (3,2 cm) de diamètre (B) à travers la paroi arrière à cet endroit.



VENTILATION

Choisissez l'évacuation des gaz d'échappement parmi les options énumérées ci-dessous :

Style 1 - Version avec hotte à recirculation

Pour cette installation, passez à la section "Installation de la hotte de cuisine (version à recyclage)" à la page 15.

NOTE: Pour les installations dont l'évacuation se fait par le toit ou le mur, **le couvercle de l'évent de recirculation doit rester en place.**

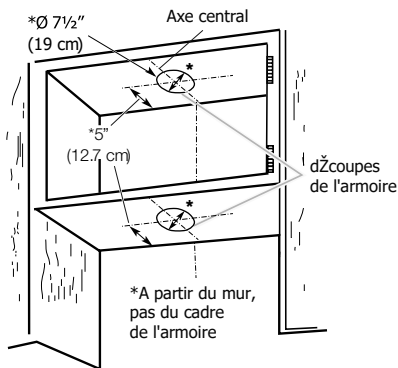
NOTE: Pensez à utiliser la mesure A pour la transition ronde de 7" (17,8 cm) et la mesure B pour le système de recirculation sur les dimensions de votre armoire.

Style 2 - Découpe d'ouvertures pour la transition d'un évent rond à un évent rond de 7" (17,8 cm)

Ventilation du toit

Pour réaliser une ouverture d'aération circulaire sur le dessous du dessus de l'armoire:

1. Marquez une ligne centrale sur le dessous du dessus de l'armoire.
2. Marquez une ligne à 5" (12,7 cm) de la paroi arrière sur le dessous du dessus de l'armoire. Utilisez un compas ou un gabarit de cercle pour tracer un cercle de 7½" (19 cm) de diamètre.
3. Utilisez une scie sabre ou une scie en trou de serrure pour découper l'ouverture circulaire de l'évent.
4. Répétez les étapes 1 à 3 pour le dessous de la partie supérieure de l'armoire.



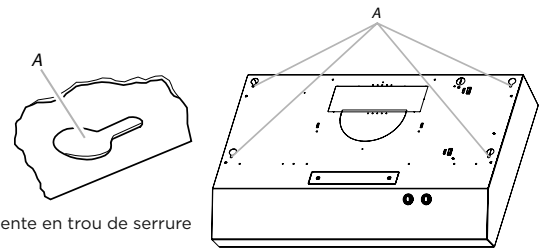
Installer un système de ventilation

1. Installer l'évent à travers l'ouverture de l'évent dans l'armoire supérieure ou le mur. Compléter le système d'évacuation conformément à la méthode d'évacuation choisie.
2. Utilisez un produit de calfeutrage pour sceller l'ouverture du mur extérieur ou du toit autour du capuchon.

NOTE

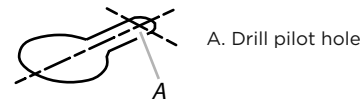
Votre modèle comprend une plaque de montage ronde de 7" (17,8 cm) à l'intérieur de l'emballage.

3. Soulevez la hotte sous le meuble et déterminez son emplacement définitif en la centrant sous le meuble. Marquer sur le dessous de l'armoire l'emplacement des 4 fentes de montage en trou de serrure de la hotte (voir les dimensions des fentes à la page 25). Mettre la hotte de côté sur une surface couverte.



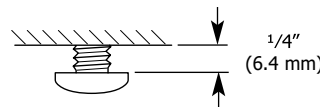
A. Fente en trou de serrure

4. Utilisez une mèche de 1/8" (3 mm) et percez 4 avant-trous comme indiqué.
NOTE : Percez les avant-trous sur la partie fine de la fente.

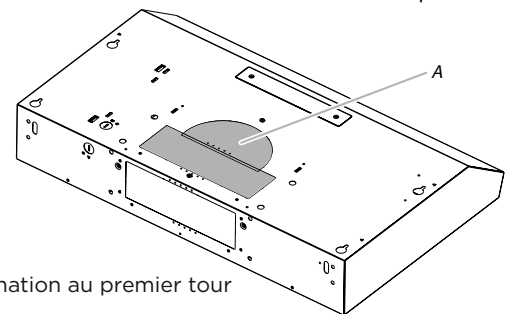


A. Drill pilot hole

5. Installez les 4 vis de montage de 0,45 cm x 1,3 cm dans les avant-trous. Laissez un espace d'environ 1/4" (6,4 mm) entre les têtes de vis et l'armoire pour faire glisser la hotte en place.



6. Retirez le débouché de l'évent rond supérieur.



A. Elimination au premier tour

NOTE

Le débouchage doit être retiré à l'aide d'un tournevis ou d'un élément de levier, et non d'un marteau.

26 INSTALLATION DE LA HOTTE

VERSION VENTILÉE

Installation du connecteur d'évent

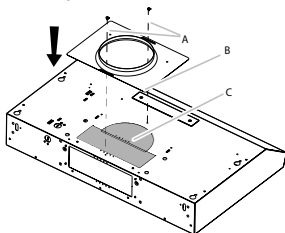
NOTE

Retirer entièrement le film protecteur.

NOTE

Pour cette version, il est nécessaire de retirer le filtre à charbon. Voir la section "Entretien de la hotte".

Installez la plaque de montage de l'évent ronde de 7" (17,8 cm). Fixer à la hotte à l'aide des vis indiquées dans le kit de quincaillerie.



A. Vis de 0,29 x 0,65 cm
B. Plaque de montage de l'évent rond de 7" (17,8 cm)
C. Débouchure de l'évent rond

NOTE

La plaque de montage ronde de 7" (17,8 cm) peut être installée jusqu'à 1" (2,5 cm) de chaque côté du centre de la hotte pour accommoder les conduits décentrés.

NOTE

Avant de commencer l'installation, retirez la transition installée dans votre hotte.

Installation du câble d'alimentation

1. Pour les installations à câblage direct, faites passer le câble d'alimentation électrique de la maison.

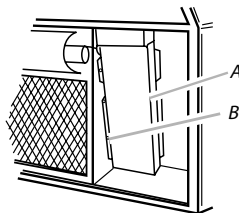
Il doit y avoir suffisamment de câble depuis le boîtier de déconnexion à fusibles (ou disjoncteur) pour effectuer la connexion dans le boîtier de raccordement électrique de la hotte.

NOTE

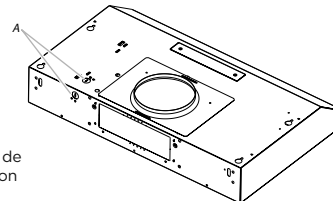
Ne pas rebrancher l'alimentation électrique tant que l'installation n'est pas terminée.

2. Retirer la vis du couvercle de la boîte à bornes. Retirer le couvercle de la boîte à bornes et le mettre de côté.

A. Couvercle de la Boîte à bornes
B. Vis



3. Retirez la débouchure de l'alimentation en haut ou à l'arrière de la hotte (en fonction de l'emplacement du câble d'alimentation de votre maison) et installez une décharge de traction de 1/2" homologuée UL ou approuvée CSA.



A. Blocage de l'alimentation

4. A l'aide de 2 personnes ou plus, soulever la hotte en position. Serrez les vis de la décharge de traction.
5. Positionnez la hotte de façon à ce que la grande extrémité des fentes en trou de serrure se trouve au-dessus des vis de montage. Poussez ensuite la hotte vers le mur de manière à ce que les vis se trouvent dans l'encoche des fentes. Serrez les vis de montage, en veillant à ce qu'elles se trouvent dans le col étroit des fentes.
6. Raccordez les conduits d'évacuation à la hotte. Scellez les joints avec des colliers de serrage ou du ruban adhésif pour les rendre sûrs et étanches à l'air.
7. Vérifier le bon fonctionnement des clapets anti-retour.

RACCORDEMENT ÉLECTRIQUE

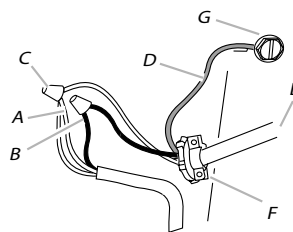
AVERTISSEMENT

Risque d'électrocution Déconnectez l'alimentation avant toute intervention.

Remplacez toutes les pièces et tous les panneaux avant d'utiliser l'appareil.

Le non-respect de cette consigne peut entraîner la mort ou une électrocution.

1. Déconnecter la source de courant électrique.



A. White wires
B. Black wires
C. UL listed wire connector
D. Green (or bare) ground wire
E. Home power supply cable
F. UL listed or CSA approved 1/2" strain relief
G. Green ground screw

2. Utilisez des connecteurs de fils homologués UL et connectez les fils blancs (A) ensemble. **(Il y a deux fils blancs sur la hotte, tous deux doivent être connectés à l'alimentation électrique).**
3. Utilisez des connecteurs de fils homologués UL et connectez les fils noirs (B) ensemble.
4. Connectez le fil de terre vert (ou nu) de l'alimentation à la vis de terre verte dans la boîte à bornes et serrez fermement.
5. Installez le couvercle de la boîte à bornes et reconnectez l'alimentation.



AVERTISSEMENT

Risque d'incendie Mettez le ventilateur à la terre.

Connectez le fil de terre à la vis verte de mise à la terre dans la boîte à bornes.

Le non-respect de cette consigne peut entraîner la mort, un incendie ou un choc électrique.

Installation complète

1. Remplacer le filtre à graisse s'il a été retiré. Vérifiez le fonctionnement du ventilateur et de l'éclairage de la hotte. Voir la section "Utilisation de la hotte".
2. Si la hotte ne fonctionne pas, vérifiez si un disjoncteur s'est déclenché ou si un fusible domestique a sauté. Débranchez l'appareil et vérifiez les connexions électriques.



NOTE

Pour tirer le meilleur parti de votre nouvelle hotte, lisez la section "Utilisation de la hotte".

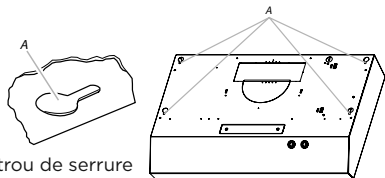
VERSION RECIRCULANT



NOTE

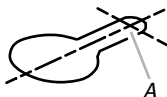
Retirer entièrement le film protecteur.

1. Soulevez la hotte sous le meuble et déterminez son emplacement définitif en la centrant sous le meuble. Marquer sur le dessous de l'armoire l'emplacement des 4 fentes de montage en trou de serrure de la hotte. (Voir les dimensions des fentes à la page 27) Mettre la hotte de côté sur une surface couverte.



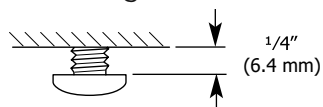
A. Fente en trou de serrure

2. Utiliser une mèche de $\frac{1}{8}$ " (3 mm) et percer 4 avant-trous comme indiqué.
REMARQUE : Percer les avant-trous sur la partie fine de la fente.



A. Percer un avant-trou

3. Installez les 4 vis de montage de 0,45 cm x 1,3 cm dans les avant-trous. Laissez un espace d'environ $\frac{1}{4}$ " (6,4 mm) entre les têtes de vis et l'armoire pour faire glisser la hotte en place.



Installation du câble d'alimentation

1. Pour les installations à câblage direct, faites passer le câble d'alimentation électrique de la maison conformément au National Electric Code ou aux normes CSA, ainsi qu'aux codes et règlements locaux. Il doit y avoir suffisamment de câble depuis le boîtier de déconnexion à fusibles (ou disjoncteur) pour effectuer la connexion dans le boîtier de raccordement électrique de la hotte.



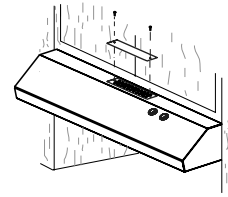
NOTE

Ne reconnectez pas l'alimentation avant d'avoir terminé l'installation.

2. Retirer la vis du couvercle de la boîte à bornes. Retirer le couvercle et le mettre de côté.
3. Retirez la débouchure de l'alimentation en haut ou à l'arrière de la hotte (en fonction de l'emplacement du câble d'alimentation de la maison) et installez un serre-câble de $\frac{1}{2}$ po homologué UL ou CSA.
4. À l'aide de deux personnes ou plus, soulevez la hotte en position finale. Faites passer suffisamment de fil électrique à travers le serre-câble de $\frac{1}{2}$ po homologué UL ou CSA pour effectuer les connexions dans la boîte à bornes. Serrez les vis de la décharge de traction.
5. Positionnez la hotte de façon à ce que la grande extrémité des fentes en trou de serrure se trouve au-dessus des vis de montage. Poussez ensuite la hotte vers le mur de manière à ce que les vis se trouvent dans l'encoche des fentes. Serrez les vis de montage, en veillant à ce que les vis se trouvent dans le col étroit des fentes.

Couvercle de l'évent de recirculation

Pour les installations qui recirculent l'air évacué, le couvercle de l'évent de recirculation doit être retiré. Retirez le couvercle de l'évent de recirculation en enlevant les 2 vis de montage à l'aide d'un tournevis Phillips.



NOTE: Pour les installations dont l'évacuation se fait par le toit ou le mur, **le couvercle de l'évent de recirculation doit rester en place.**

Ne pas enlever, car l'appareil ne fonctionnera pas correctement.

Pour terminer l'installation, passez à la section "Effectuer le raccordement électrique" à la page 26.

NOTE: Envisagez d'utiliser la mesure A pour une transition ronde de 7" (17,8 cm) et la mesure B pour un système de recirculation.

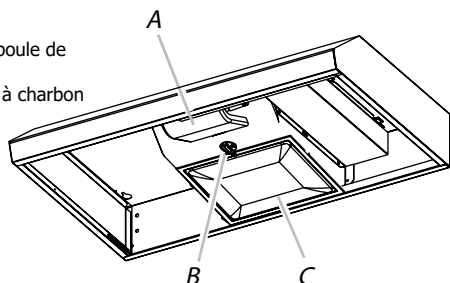
28 UTILISATION DE LA HOTTE

La hotte est conçue pour éliminer la fumée et les vapeurs de cuisson de la table de cuisson. Pour obtenir les meilleurs résultats, mettez la hotte en marche avant de cuisiner et laissez-la fonctionner plusieurs minutes après la fin de la cuisson pour évacuer toute la fumée de la cuisine.

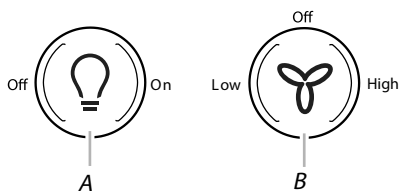
Un kit de filtre à charbon pour éliminer les odeurs est déjà inclus (2 filtres). Voir page 35 pour plus d'informations sur le remplacement de ce kit.

Les commandes de la hotte sont situées à l'avant de la hotte.

- A. Logement et protège-ampoule de l'ampoule LED
- B. Patte de retenue du filtre à charbon
- C. Filtre à graisse



Commandes de la hotte



- A. Commutateur d'éclairage Marche/arrêt
- B. Commutateur de vitesse du ventilateur

Fonctionnement de la lumière

Pousser l'interrupteur vers la droite pour allumer la lumière.

Pousser l'interrupteur vers la gauche pour éteindre la lumière.

Fonctionnement du ventilateur

Pousser l'interrupteur du ventilateur vers la gauche pour une faible vitesse. Pousser l'interrupteur du ventilateur vers la droite pour une vitesse élevée. Pousser l'interrupteur du ventilateur vers le milieu pour l'éteindre.

Nettoyage

⚠ AVERTISSEMENT

Pour réduire le risque d'incendie ou d'électrocution, débranchez l'appareil avant de le nettoyer.

➡ IMPORTANT

Nettoyez fréquemment la hotte et les filtres à graisse conformément aux instructions suivantes. Remplacer le filtre à graisse avant de faire fonctionner la hotte.

➡ IMPORTANT

Surfaces extérieures

N'utilisez pas de tampons à récurer remplis de savon, de nettoyeurs abrasifs, de crème à polir pour table de cuisson, de laine d'acier, de gants de toilette granuleux ou d'essuie-tout.

Pour éviter d'endommager l'acier inoxydable, n'utilisez pas de nettoyeurs contenant du chlore.

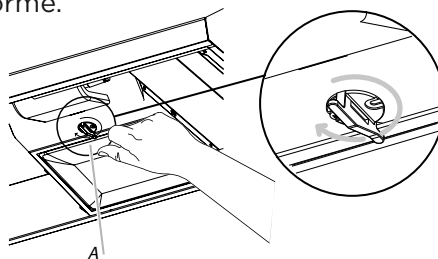
Méthode de nettoyage:

- Utilisez de l'eau chaude avec un détergent liquide ou un nettoyant tout usage et un chiffon doux pour nettoyer les surfaces extérieures.
- Rincez à l'eau claire et séchez avec un chiffon doux et non pelucheux.
- Utilisez un nettoyant pour vitres afin d'éliminer les traces de doigts.
- Pour les finitions en acier inoxydable, frottez dans le sens du grain pour éviter de rayer ou d'endommager la surface.

NOTE: Ne pas utiliser de brosse en acier inoxydable pour éviter de rayer ou d'endommager la surface.

Pour nettoyer ou remplacer le filtre à graisse:

1. Retirer la vis du retenue du filtre avec un tournevis
2. Tournez le retenue de filtre pour libérer le cruciforme.



3. Remettez le filtre en plaçant le bord arrière dans le canal à l'arrière de la hotte. Pousser le filtre en place, tourner la retenue du filtre pour immobiliser le filtre à hotte.

4. Revisser dans la retenue du filtre.
5. Pour nettoyer le filtre à graisse, faire tremper les filtres dans l'eau chaude avec un détergent doux. Rincez bien et secouez-le pour sécher. Ou dans le panier supérieur du lave-vaisselle à nettoyer.

REMARQUE: Ne pas utiliser d'ammoniaque. L'aluminium sur le filtre à graisse se corrode et foncer.

REMARQUE: Vous pouvez utiliser soit lave-vaisselle ou une solution détergente chaude et rincez à l'eau potable.

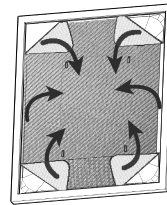
➔ NOTE

Pour éviter d'endommager le filtre à graisse pendant le nettoyage, placez le filtre dans le panier supérieur du lave-vaisselle.

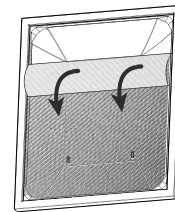
Filtre à charbon / à graisse

1. Pour les hottes à recyclage d'air, un filtre à charbon est disponible en option et est déjà installé dans le filtre.
2. Le filtre à charbon n'est pas lavable. Il devrait durer jusqu'à 6 mois dans le cadre d'une utilisation normale. Remplacez l'ancien filtre à charbon par un nouveau.
3. Si vous souhaitez transformer votre hotte en système d'évacuation extérieur, vous devez retirer la couche de charbon du filtre.

4. La couche de charbon de bois est fixée par un jeu d'agrafes au centre du filtre ; pour retirer la couche sans endommager le filtre, séparez les bords du charbon de bois du cadre jusqu'à ce qu'il ne reste plus que les agrafes qui le retiennent.



5. Tirez la couche de charbon dans le sens parallèle aux agrafes. Si vous tirez dans l'autre sens, il sera plus difficile de la détacher et le filtre risque de subir une certaine déformation.



6. La couche peut être facilement enlevée à la main, mais en cas de besoin, utilisez des ciseaux pour la découper.

Problème	Cause	Solution
Après l'installation, l'appareil ne fonctionne pas.	1. Après l'installation, l'appareil ne fonctionne pas.	1. Vérifiez que le branchement de l'appareil a été fait correctement.
	2. Les fils électriques du switch de commande sont débranchés.	2. Assurez-vous que les fils électriques sont branchés convenablement.
Light works, but motor is not turning.	1. Le moteur est défectueux, possiblement bloqué.	1. Changez le moteur.
	2. La protection thermique détecte si le système du moteur est trop chaud pour fonctionner et éteindre le moteur	2. Le moteur fonctionnera correctement après la protection thermique du système refroidir.
	3. Le fil du moteur n'est pas branché.	3. Assurez-vous que le fil du moteur est branché dans le connecteur Molex.
L'appareil vibre.	1. Le moteur n'est pas bien fixé à la structure.	1. Fixez solidement le moteur en place.
	2. La roue du ventilateur est endommagée.	2. Changez le ventilateur.
	3. La hotte n'est pas bien fixée en place.	3. Vérifiez l'installation de la hotte.
Le moteur fonctionne mais pas les lumières.	1. L'ampoule est défectueuse.	1. Changez l'ampoule DEL.
	2. L'ampoule est desserrée.	2. Serrez l'ampoule.
	3. Les fils électriques du switch du lumière ne sont pas assez serrés.	3. Assurez-vous que les fils sont convenablement branchés.
La hotte ne fonctionne pas bien.	1. La hotte est possiblement installée trop haute par rapport à la cuisinière.	1. Assurez-vous que la distance entre la surface de la cuisinière et la base de la hotte est entre 24" et 32".
	2. Du vent provenant d'une fenêtre ou d'une porte ouverte avoisinante nuit à la ventilation	2. Fermez toutes les portes et fenêtres pour éliminer les courants d'air.
	3. L'ouverture du conduit ou le conduit lui-même est bloqué.	3. Enlevez tout ce qui bloque l'ouverture ou le conduit d'aération.
	4. La sortie du conduit est orienté vers le vent.	4. Changez l'orientation de la sortie du conduit.
	5. Mauvaises dimensions de conduit d'aération.	5. Utilisez un conduit de dimension adéquate.
Le filtre en métal vibre.	1. Le filtre à graisse est desserré.	1. Assurez-vous que la poignée à ressort fonctionne toujours
	2. La poignée bouge difficilement.	2. Remplacez le filtre à graisse

frigidaire.ca/fr-CA/droit-a-la-reparation/

Bien qu'Frigidaire fait tout son possible pour mettre à la disposition des consommateurs les pièces de rechange, les services de réparation et les informations nécessaires à l'entretien ou à la réparation de ses produits, les pièces, le service et les informations ne sont pas garantis, conformément à l'article 39 de la Loi sur la protection du consommateur, RLRQ, c. P-40.1 et aux articles 79.18 à 79.20 du Règlement d'application de la Loi sur la protection du consommateur, RLRQ, c P-40.1, r. 3.

Votre appareil est couvert par une garantie limitée d'un an. Pendant un an à compter de la date d'achat, Electrolux prendra en charge tous les frais de réparation ou de remplacement des pièces de cet appareil qui s'avèreraient défectueuses en raison d'un défaut de matériau ou de fabrication, lorsque l'appareil est installé, utilisé et entretenu conformément aux instructions fournies.

Exclusions

Cette garantie ne couvre pas ce qui suit:

1. Les produits dont le numéro de série original a été enlevé, modifié ou n'est pas facilement déterminable.
2. Les produits qui ont été transférés de leur propriétaire initial à une autre partie ou qui ne sont plus aux États-Unis ou au Canada.
3. La rouille à l'intérieur ou à l'extérieur de l'appareil.
4. Les produits vendus « tels quels » ne sont pas couverts par cette garantie.
5. Les aliments perdus en raison de pannes du réfrigérateur ou du congélateur.
6. Les produits utilisés dans les établissements commerciaux.
7. Les appels de service qui ne concernent pas un mal fonctionnement, un défaut de fabrication ou un vice de matériau ou pour les appareils qui ne font pas l'objet d'un usage domestique ou qui ne sont pas utilisés conformément aux instructions fournies.
8. Les appels de service pour vérifier l'installation de votre appareil ou pour obtenir des instructions sur la façon d'utiliser votre appareil.
9. Les frais qui rendent l'appareil accessible pour une réparation, par exemple enlever des garnitures, les armoires, les étagères, etc. qui ne faisaient pas partie de l'appareil lorsqu'il a quitté l'usine.
10. Les appels de service au sujet de la réparation ou du remplacement des ampoules, des filtres à air, des filtres à eau, d'autre matériel ou des boutons, poignées ou autres pièces esthétiques.
11. Les frais supplémentaires, y compris, sans s'y limiter, les appels de service après les heures normales de bureau, le week-end ou les jours fériés, les droits et péages, les frais de convoyage ou les frais de déplacement pour les appels de service dans des endroits isolés, notamment dans l'État de l'Alaska.
12. Les dommages causés au fini de l'appareil ou à la maison pendant l'installation, y compris, sans s'y limiter, aux planchers, aux armoires, aux murs, etc.
13. Les dommages causés par : des réparations faites par des techniciens non autorisés; l'utilisation de pièces autres que les pièces Electrolux d'origine qui n'ont pas été obtenues par l'entremise d'un réparateur autorisé; ou les causes étrangères comme l'abus, l'alimentation électrique inadéquate, les accidents, les incendies ou les cas de force majeure.

AVIS DE NON RESPONSABILITÉ SUR LES GARANTIES IMPLICITES; LIMITATIONS DES RECOURS L'UNIQUE RECOURS DU

CLIENT EN VERTU DE CETTE GARANTIE LIMITÉE EST LA RÉPARATION OU LE REMPLACEMENT DU PRODUIT COMME DÉCRIT PRÉCÉDEMMENT. LES DEMANDES BASÉES SUR DES GARANTIES IMPLICITES, Y COMPRIS LES GARANTIES IMPLICITES DE QUALITÉ MARCHANDE ET D'ADAPTATION À UN USAGE PARTICULIER SONT LIMITÉES À AU MOINS UN AN OU À LA PÉRIODE LA PLUS COURTE PERMISE PAR LA LOI. ELECTROLUX NE SERA PAS TENUE RESPONSABLE DES DOMMAGES DIRECTS OU INDIRECTS NI DES DOMMAGES MATÉRIELS ET DES DÉPENSES IMPRÉVUES RÉSULTANT D'UNE VIOLATION DE CETTE GARANTIE ÉCRITE OU DE TOUTE AUTRE GARANTIE IMPLICITE. CERTAINS ÉTATS ET CERTAINES PROVINCES NE PERMETTENT PAS DE RESTRICTION OU D'EXEMPTION SUR LES DOMMAGES DIRECTS OU INDIRECTS OU DE RESTRICTION SUR LES GARANTIES IMPLICITES. DANS CE CAS, CES RESTRICTIONS OU EXEMPTIONS POURRAIENT NE PAS ÊTRE APPLICABLES. CETTE GARANTIE ÉCRITE VOUS PROCURE DES DROITS LÉGAUX SPÉCIFIQUES. IL SE PEUT QUE VOUS AYEZ D'AUTRES DROITS QUI VARIENT SELON L'ÉTAT OU LA PROVINCE.

Si vous avez besoin d'une réparation

Conservez votre reçu, votre bon de livraison ou une autre preuve valide de paiement pour établir la période de la garantie dans le cas où vous devriez faire appel aux services d'un technicien autorisé. Si une réparation doit être effectuée, veuillez obtenir et conserver tous les reçus.

Le service auquel vous avez recours en vertu de cette garantie doit être obtenu en communiquant avec Electrolux à l'adresse ou aux numéros de téléphone indiqués ci-dessous. Cette garantie n'est valide qu'aux États-Unis et au Canada. Aux États-Unis, votre appareil est garanti par Electrolux Major Appliances North America, une division de Electrolux Home Products, Inc. Au Canada, votre appareil est garanti par Electrolux Canada Corp. Personne n'est autorisée à modifier ou à ajouter aux obligations contenues dans cette garantie. Les obligations de cette garantie concernant la réparation et les pièces doivent être remplies par Electrolux ou par une compagnie de réparation autorisée. Les caractéristiques et spécifications décrites ou illustrées peuvent être modifiées sans préavis.

USA
1-800-374-4432
Frigidaire
10200 David Taylor Drive
Charlotte, NC 28262

**Electrolux**

Canada
1.800.265.8352
Electrolux Canada Corp.
5855 Terry Fox Way
Mississauga, Ontario, Canada
L5V 3E4

32 INTRODUCCIÓN

Introducción	32	Instalación de la campana (versión aspirante)	42
Instrucciones de seguridad importantes	33	Instalación de la campana (versión recirculante)	43
Lista de materiales	37	Uso de la campana	44
Requisitos de ubicación	37	Mantenimiento de la campana	45
Dimensiones del producto	38	Resolución de problemas	46
Requisitos de ventilación	38	Garantía	47
Prepare el montaje	40		

Bienvenido a nuestra familia

Gracias por traer Frigidaire a su hogar. Vemos su compra como el comienzo de una larga relación juntos.

Este manual es su recurso para el uso y cuidado de su producto. Por favor léalo antes de usar su electrodoméstico. Téngalo a mano para consultarlo rápidamente. Si algo no funciona correctamente, la sección de solución de problemas le ayudará a resolver los problemas más comunes.

Preguntas frecuentes, consejos útiles y videos, productos de limpieza y accesorios para la cocina y el hogar están disponibles en www.frigidaire.com.

Estamos a su disposición. Visite nuestra web, chatee con un agente o llámenos si necesita ayuda. Es posible que podamos ayudarle a evitar una visita del servicio técnico. Si necesita asistencia técnica, podemos ponérsela en marcha.

Mantenga la información de su producto aquí para que sea fácil de encontrar.

Modelo: _____

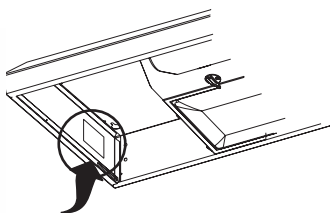
Número de serie: _____

Fecha de compra: _____

¡Hagámoslo oficial! Asegúrese de registrar su producto.

Visítenos en Frigidaire.com/register

O utilice su dispositivo móvil para escanear el código QR.



La placa de serie está en el lado izquierdo de la campana extractora

✓ Control de instalación

- Lea todas las instrucciones de seguridad en la parte frontal de su Manual de Uso y Cuidado.
- Retire todos los materiales de embalaje de su aparato antes de cocinar.
- Asegúrese de que la alimentación eléctrica del aparato está conectada.
- Pruebe el control de la campana extractora para asegurarse de que funciona correctamente (página 44).
- No olvide registrar el producto.

Lea todas las instrucciones antes de utilizar este aparato.
Guarde estas instrucciones para futuras referencias.
Aprobado para uso residencial
Sólo para uso doméstico.


Este manual contiene importantes símbolos e instrucciones de seguridad. Por favor, preste atención a estos símbolos y siga todas las instrucciones.

No intente instalar u operar su electrodoméstico hasta que haya leído las precauciones de seguridad en este manual. Los aspectos de seguridad en este manual están señalados con las palabras ADVERTENCIA o PRECAUCIÓN basados en el tipo de riesgo.

Las advertencias e instrucciones importantes que aparecen en esta guía no pretenden cubrir todas las posibles condiciones y situaciones que puedan ocurrir. Se debe tener sentido común, precaución y cuidado al instalar, mantener o utilizar el aparato.

Utilice siempre guantes de trabajo para todas las operaciones de instalación y mantenimiento.

DEFINICIONES

 Este es el símbolo de alerta de seguridad. Se utiliza para alertarlo sobre riesgos de daños corporales potenciales.

Obedezca todos los mensajes de seguridad que contengan este símbolo para evitar un posible daño o la muerte.

ADVERTENCIA

Este símbolo le alerta de situaciones que puedan provocar serios daños físicos, la muerte o daños de la propiedad.

PRECAUCIÓN

PRECAUCIÓN indica una situación potencialmente riesgosa y que, de no ser evitada, puede resultar en un daño moderado o menor.

IMPORTANTE

IMPORTANTE indica información valiosa acerca de la instalación, operación, mantenimiento que no está relacionada con ningún riesgo.

NOTA

Indica una referencia breve e informal, algo escrito para ayudar a la memoria o para futuras referencias.

INSTRUCCIONES DE SEGURIDAD IMPORTANTES PARA INSTALACIÓN

PRECAUCIÓN

SOLO PARA VENTILACIÓN GENERAL. NO SE USE PARA EXTINGUIR MATERIALES O VAPORES RIESGOSOS O EXPLOSIVOS.

IMPORTANTE

Lea y siga las siguientes instrucciones y precauciones para desembalar, instalar y realizar el mantenimiento de su aparato.

PRECAUCIÓN

Para reducir el riesgo de incendio y para ventilar el aire adecuadamente, asegúrese de dirigir el conducto de ventilación hacia el exterior - no ventile el aire de salida a espacios dentro de paredes o techos, áticos, espacios angostos o garajes.

ADVERTENCIA

PARA REDUCIR EL RIESGO DE INCENDIO, SÓLO USE CONDUCTOS METÁLICOS.

Instale esta campana de acuerdo con todos los requisitos especificados.

PRECAUCIÓN

PARA REDUCIR EL RIESGO DE INCENDIO, CHOQUE ELÉCTRICO O LESIONES, SIGA LAS SIGUIENTES INDICACIONES:

a) Use esta unidad sólo de la manera para lo que fue diseñada por el fabricante. Si tiene preguntas, póngase en contacto con el fabricante.

b) Es necesario que haya suficiente aire para la adecuada combustión y ventilación de gases a través del conducto del equipo que consume combustible, para evitar que ocurra contratiro. Siga la guía y los estándares de seguridad del fabricante del equipo de calefacción, como serían aquéllos publicados por National Fire Protection Association (NFPA), American Society for Heating, Refrigeration and Air Conditioning Engineers (ASHRAE) y las autoridades de códigos locales.

c) Cuando corte o taladre en una pared o techo, no dañe el cableado ni otros servicios públicos.

d) Las campanas con conductos deben ventilarse siempre al exterior.

34 INSTRUCCIONES DE SEGURIDAD IMPORTANTES

ADVERTENCIA

A fin de reducir el riesgo de incendio o de choque eléctrico, no use este ventilador con ningún dispositivo semiconductor para el control de la velocidad.

ADVERTENCIA

PARA REDUCIR EL RIESGO DE INCENDIO, DESCARGA ELÉCTRICA O LESIONES PERSONALES, OBSERVE LO SIGUIENTE:

a) Antes de dar servicio o limpiar esta unidad, apague el suministro de energía en el panel de servicio, y bloquee los medios de desconexión del servicio para evitar que se encienda accidentalmente el suministro de energía. Cuando el medio de desconexión del servicio no se pueda bloquear, sujete de manera segura un dispositivo de advertencia prominente, como podría ser una etiqueta, al panel de servicio.

ADVERTENCIA

PARA REDUCIR EL RIESGO DE LESIONES A PERSONAS SI SE PRENDE FUEGO EN LA SUPERFICIE DE LA ESTUFA OCASIONADO POR GRASA, OBSERVE LO SIGUIENTE:

- a) **EXTINGA LAS LLAMAS** con una tapa que encaje muy bien, una bandeja para galletas o una bandeja metálica, y luego apague el quemador. **TENGA CUIDADO PARA EVITAR QUEMADURAS.** Si las llamas no se extinguen de inmediato, **EVACUE Y LLAME AL DEPARTAMENTO DE BOMBEROS.**
- b) **NUNCA AGARRE UNA CACEROLA QUE ESTÉ ARDIENDO** - podría quemarse.
- c) **NO UTILICE AGUA** ni artículos de limpieza con agua, incluyendo paños para vajilla o toallas mojadas - podría ocurrir una explosión de vapor violenta.
- d) **SÓLO use un extinguidor si:**
- Sabe a ciencia cierta que tiene un extinguidor de clase ABC y ya sabe cómo utilizarlo.
 - El incendio es pequeño y se encuentra contenido en el lugar en donde se inició.
 - Ha llamado al departamento de bomberos.
 - Puede apagar el fuego teniendo una salida segura a sus espaldas a Basado en “Consejos de seguridad para fuegos de cocina”, publicado por el NFPA (Asociación nacional de protección contra incendios).

OPERACIÓN

Deje siempre las parrillas de protección y los filtros en su lugar. Sin estos componentes, los motores en operación pueden atorarse en el cabello, dedos y ropa suelta.

El fabricante se deslinda de toda responsabilidad en caso de omisión de las instrucciones de instalación, mantenimiento y uso del producto presentes en esta guía. El fabricante declina toda responsabilidad por daños ocasionados por negligencia y la garantía de la unidad automáticamente expirará debido al mantenimiento incorrecto.

ADVERTENCIA

PARA REDUCIR EL RIESGO DE INCENDIO PROVOCADO POR GRASA EN LA SUPERFICIE DE LA ESTUFA:

- a) Nunca deje las unidades de superficie sin vigilancia cuando estén en ajustes altos. Los derrames por hervor causan salpicaduras grasosas y humeantes, las cuales pueden encenderse. Caliente los aceites lentamente y con ajustes bajos o medios.
- b) Siempre **ENCIENDA** la campana cuando cocine con calor alto o cuando flamee alimentos (por ejemplo, crepes Suzette, cerezas Jubileo y flameado de carne de res con pimienta).
- c) Limpie los ventiladores con frecuencia. No permita que se acumule la grasa en el ventilador o en el filtro.
- d) Use cacerolas del tamaño adecuado. Siempre use utensilios de cocción que sean los adecuados para el tamaño del elemento de la superficie.

NOTA

Este aparato no está diseñado para ser utilizado por personas (incluidos niños) con capacidades físicas, sensoriales o mentales reducidas, o con falta de experiencia y conocimientos, a menos que hayan recibido supervisión o instrucciones sobre el uso del aparato por parte de una persona responsable de su seguridad.

NOTA

Los niños deben ser supervisados para asegurarse de que no juegan con el aparato.

INSTRUCCIONES DE CONEXIÓN



ADVERTENCIA

- Evite el riesgo de incendio o descarga eléctrica. El incumplimiento de esta advertencia puede causar lesiones graves, incendios o la muerte.
- Evite el riesgo de incendio o descarga eléctrica. No utilice un enchufe adaptador, un cable alargador ni retire la clavija de conexión a tierra del cable de alimentación. El incumplimiento de esta advertencia puede causar lesiones graves, incendios o la muerte.

Observe todos los códigos y reglamentos aplicables. Asegúrese de que la instalación eléctrica sea adecuada y en conformidad con el National Electrical Code (Código Nacional Eléctrico), ANSI/NFPA 70 (última edición) o las normas de CSA C22.1-94, Canadian Electrical Code (Código Canadiense de Electricidad), Parte 1 y C22.2 N° 0-M91 (última edición), y todos los códigos y ordenanzas locales.

Si los códigos lo permiten y se emplea un alambre de conexión a tierra separado, es recomendable que un electricista calificado determine si la trayectoria de conexión a tierra es adecuada.

Usted puede obtener una copia de las normas de los códigos arriba indicadas en:

National Fire Protection Association
One Batterymarch Park Quincy, MA 02269
CSA International
8501 East Pleasant Valley Road
Cleveland, OH 44131-5575.

•••• Se necesita un circuito eléctrico de 120 voltios, 60 hertzios, CA solamente, de 15 amperios y protegido con fusibles.

•• Si la casa tiene cableado de aluminio, siga el procedimiento a continuación:

1. Conecte una sección de alambre de cobre sólido a los conductores flexibles.
2. Conecte el cableado de aluminio a la sección añadida de alambre de cobre usando conectores especiales y/o herramientas diseñadas para unir el cobre al aluminio.

Siga el procedimiento recomendado por el fabricante del conector eléctrico.

•• El calibre de los cables y las conexiones deben hacerse de acuerdo con la clasificación del electrodoméstico, como se especifica en la placa de clasificación del modelo/de la serie. La placa del modelo/de la serie está ubicada detrás del filtro, en la pared posterior de la campana.

•• El calibre de los cables deben hacerse de acuerdo a los requisitos del National Electrical Code (Código Nacional Eléctrico), ANSI/NFPA 70 (última edición) o las normas de CSA C22.1-94 Canadian Electrical Code (Código Canadiense de Electricidad), Parte 1 y C22.2 N° 0-M91 (última edición), y todos los códigos y ordenanzas locales.

Es responsabilidad personal del consumidor que un electricista calificado instale la toma de corriente o caja de conexiones adecuada con el receptáculo de pared correcto y debidamente conectado a tierra. Es responsabilidad y obligación del consumidor ponerse en contacto con un instalador calificado para asegurarse de que la instalación eléctrica es adecuada y cumple todos los códigos y ordenanzas locales.

Si se suministra con enchufe eléctrico, conecte la campana a una toma de corriente que cumpla con la normativa vigente y colocada en una posición accesible. Si no dispone de enchufe eléctrico (conexión directa a la red eléctrica) o si el enchufe no va a estar en una posición accesible después de la instalación, coloque un interruptor bipolar homologado en una posición accesible que proporcione una desconexión total en condiciones de sobretensión de categoría III, de acuerdo con las normas locales de cableado.

36 INSTRUCCIONES DE SEGURIDAD IMPORTANTES

INSTRUCCIONES IMPORTANTES PARA LIMPIEZA DEL APARATO

PRECAUCIÓN

Antes de limpiar manualmente cualquier parte del aparato, asegúrese de que todos los controles estén apagados y que el aparato esté frío. Limpiar un aparato caliente puede causar quemaduras.

Limpie el aparato con regularidad para mantener todas las piezas libres de grasa que pueda incendiarse. No permita que se acumule grasa. Los depósitos de grasa en el ventilador podrían incendiarse.

Siga siempre las instrucciones recomendadas por el fabricante para el uso de limpiadores de cocina y aerosoles. Tenga en cuenta que el exceso de residuos de los limpiadores y aerosoles puede inflamarse y causar daños y lesiones.

Limpie con frecuencia las campanas extractoras
- No debe permitir que se acumule grasa en la campana o en el filtro.

INSTRUCCIONES IMPORTANTES PARA SERVICIO Y MANTENIMIENTO

No repare ni sustituya ninguna pieza del aparato a menos que se recomiende específicamente en los manuales. Todas las demás reparaciones deben ser realizadas únicamente por un técnico cualificado. Esto reduce el riesgo de lesiones personales y daños al aparato.

Póngase siempre en contacto con su vendedor, distribuidor, agente de servicio o fabricante en caso de problemas o condiciones que no entienda.




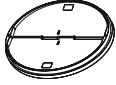
Pida a su distribuidor que le recomiende un técnico cualificado y un servicio de reparación autorizado. Sepa cómo desconectar la alimentación del aparato en el disyuntor o en la caja de fusibles en caso de emergencia.

No toque una bombilla caliente. Si lo hace, la bombilla podría romperse. Manipule las luces halógenas (si están equipadas) con toallas de papel o guantes suaves. Desconecte el aparato o apague la alimentación del mismo antes de retirar y sustituir la bombilla.

ADVERTENCIA

Residentes de California: para obtener información sobre el cáncer y los daños reproductivos, visite www.P65Warnings.ca.gov

Partes incluidas con su campana

<input type="checkbox"/> 1 - Transición	
<input type="checkbox"/> 1 - Filtro de grasa con filtro de carbón	
<input type="checkbox"/> 4 - 0.45 x 1.3 cm tornillos de montaje	
<input type="checkbox"/> Válvula opcional	

Partes necesarias

- 2 - conectores para cables en lista de UL
- Conductos necesarios
- Cubierta requerida con compuerta de tiro para que coincida con el sistema de ventilación.
- Abrazaderas para ducto/cinta para ducto.
- Sujeta cables de 1/2" enlistados por UL o CSA.

Herramientas/Materiales requeridos

- Taladro
- Broca 1/4" (3.0 cm)
- Broca 1/8" (3.0 mm) para los orificios piloto
- Lápiz
- Pelacables o cuchillo de uso general
- Cinta de medir o regla
- Pistola para silicón y silicón o pasta resanadora a prueba de agua
- Destornillador de hoja plana
- Destornillador Phillips
- Sierra de vaiven o sierra caladora

Para armarios con bases empotradas:

- Dos tiras de relleno de 2" (5.1 cm) de ancho. La longitud y el espesor están determinados por las dimensiones del hueco.
- Cuatro tornillos de cabeza plana para madera o tornillos para metales con abrazaderas y tuercas (para sujetar las tiras de relleno).

▶ IMPORTANTE

Observe los códigos y reglamentos aplicables.

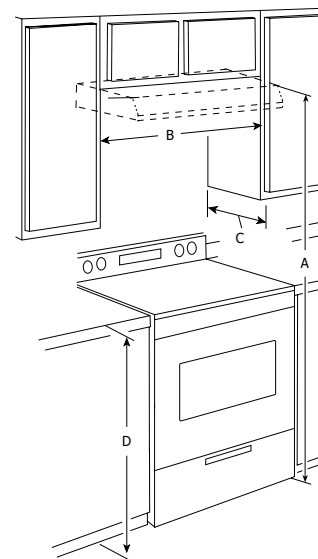
- Es responsabilidad del instalador cumplir con la placa de características (se encuentra en el interior de la campana extractora, en el lado izquierdo, consulte la página 2 para ver la ubicación). La ubicación de la campana extractora debe estar alejada de zonas con fuertes corrientes de aire, como ventanas, puertas y rejillas de calefacción fuertes.

▶ IMPORTANTE

- Deben utilizarse las dimensiones de apertura de armario mostradas. Consulte las instrucciones de instalación del fabricante antes de realizar cualquier recorte.
- Se requiere una toma de corriente con conexión a tierra. Consulte la sección "Requisitos eléctricos".
- Todas las aberturas en techo y pared donde se instalará la campana deben estar selladas.
- Retirar protector del producto antes de la instalación (en caso de que aplique).

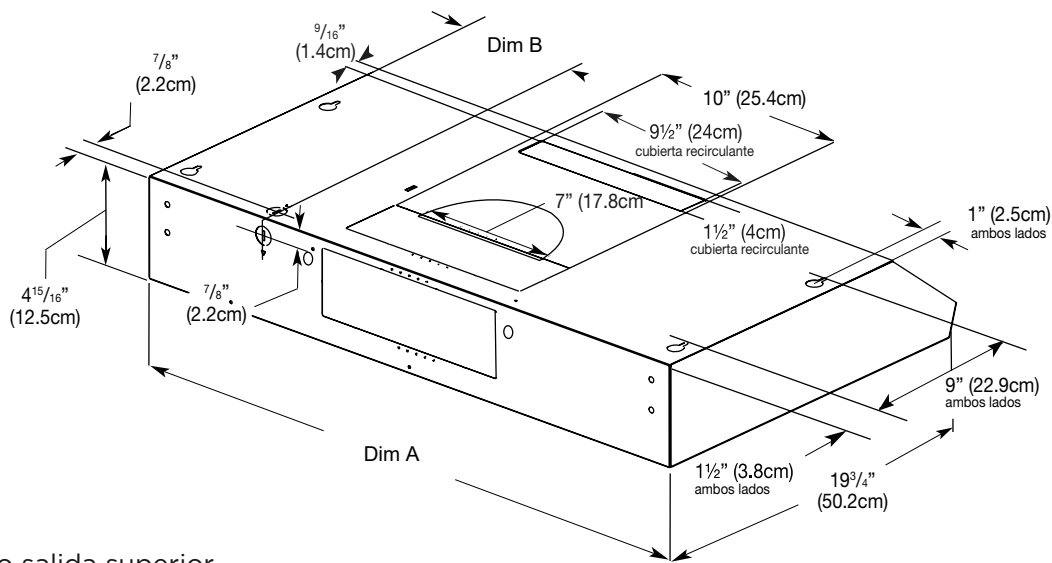
Para la instalación en Casas rodantes

La instalación de esta campana de cocina debe ajustarse a los Manufactured Home Construction Safety Standards (Estándares de seguridad y construcción de casas fabricadas), Título 24 CFR, Parte 328 (anteriormente conocido como Federal Standard for Mobile Home Construction and Safety [Estándar federal para la seguridad y construcción de casas rodantes], Título 24, HUD Parte 280), o cuando dicho estándar no sea aplicable, el Manufactured Home Installation (Estándar para Instalación en casas fabricadas) de 1982 (Manufactured Home Sites, Communities and Setups [Obras, comunidades y proyectos de casas fabricadas]), ANSI A225.1/NFPA 501A, o la última edición o con los códigos locales.



- A. Mínimo sugerido de 66" (167 cm) de la campana al suelo.
- B. 30" (76.2 cm) de ancho mínimo de la abertura .
- C. 13" (33 cm) de profundidad del armario
- D. Altura de la base al armario de 36" (91.4 cm)

38 DIMENSIONES DEL PRODUCTO



Solo salida superior

	Dim A	Dim B
FCVW3025AS	30" (76.2 cm)	6 9/16" (16.7 cm)
FCVW3025AW		
FCVW3025AB		

REQUISITOS DE VENTILACIÓN

- El sistema de ventilación debe terminar en el exterior, excepto para las instalaciones sin ducto de escape (con recirculación).
- No dirija la salida del sistema de ventilación hacia el desván u otra área cerrada.
- No utilice una cubierta de pared de tipo para lavandería de 4" (10,2 cm).
- Use un ducto de escape de metal redondo metálico de 7" (17.8 cm), según los requisitos para su instalación. Se recomienda un ducto de escape de metal rígido. No se recomienda ducto de escape de plástico u hoja metálica.
- El largo del sistema de ventilación y el número de codos se deben mantener al mínimo para proveer un funcionamiento eficaz. Para obtener el funcionamiento más eficaz y silencioso:
 - No use más de 3 codos de 90°.
 - Asegúrese de que haya un mínimo de 24" (61 cm) de ducto de escape recto entre los codos, si se utiliza más de 1 codo.
 - No instale 2 codos lado a lado.
- Use abrazaderas o cinta para ductos para sellar todas las juntas en el sistema de ventilación.

- El sistema de ventilación debe tener una válvula de contratiro en la salida.
- Utilice pasta resanadora para sellar la abertura exterior de pared o techo alrededor de la cubierta.
- El mejor rendimiento es alcanzado con un sistema de ventilación recto sin codos y usando ductos lisos.
- Longitud equivalente calculada del sistema de ductos: circulares de 50 ft (15.2m).

Instalaciones en climas fríos

Como parte del sistema de ventilación, se deberá instalar una compuerta de contratiro adicional para minimizar el flujo de aire frío hacia atrás, y un dispositivo de interrupción térmico para minimizar la conducción de las temperaturas exteriores. La compuerta deberá estar en el lado del aire frío del dispositivo de interrupción térmico.

El dispositivo de interrupción deberá estar lo más cerca posible del lugar donde el sistema de ventilación entra a la parte con calefacción de la casa.

Aire de complemento

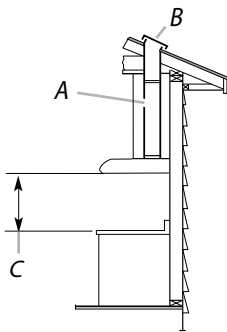
Los códigos locales de construcción podrían requerir el uso de sistemas de aire de complemento, en el caso de que se usen sistemas de ventilación con un movimiento de aire mayor a los CFM (pies cúbicos por minuto) especificados.

El sistema de ventilación puede terminar a través del techo o la pared. Use un ducto de escape redondo de 7" (17.8 cm) o más grande, con una longitud máxima de 50 pies (15.2 m) para el sistema de ventilación.

NOTA

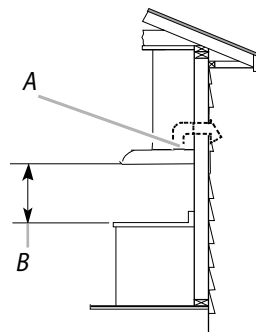
No se recomienda el uso de ductos de escape flexibles. Los ductos de escape flexibles crean contrapresión y turbulencia de aire, lo cual reduce el desempeño en gran medida.

Ventilación a través del techo



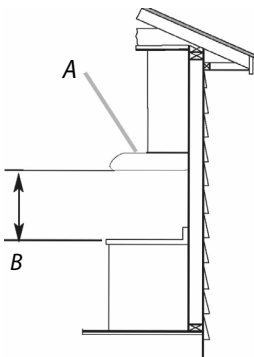
A. Ventilación redonda de 7" (17,8 cm) a través del techo. (se adquiere por separado)
 B. Tapa del techo con compuerta (se adquiere por separado)
 C. 24" (61,0 cm) mín. para cocinas eléctricas y 30" (76,2 cm) mín. para cocinas de gas, instalación por encima de la superficie de cocción.

Ventilación a través de la pared



A. Ventilación redonda de 7" (17,8 cm) a través de la parte superior (se adquiere por separado)
 B. 24" (61,0 cm) mín. para cocinas eléctricas y 30" (76,2 cm) mín. para cocinas de gas, instalación por encima de la superficie de cocción.

Recirculación



A. Retire la tapa
 B. 24" (61.0 cm) mín. para cocinas eléctricas 30" (76.2cm) mín. para la instalación de las cocinas de gas sobre la superficie de cocción.

Calcular la longitud del sistema de ventilación

Para calcular el largo del sistema que necesita, sume los pies (metros) equivalentes para cada porción de ducto de escape que se utilice en el sistema.

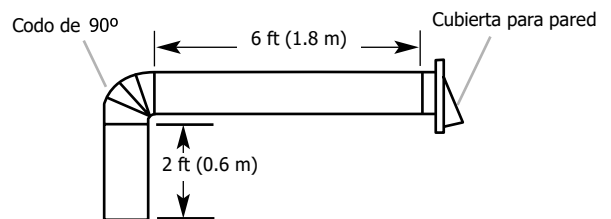
Es importante tener en cuenta que la longitud equivalente real puede variar en función de factores como el diseño, el material y las obstrucciones internas del racor. Se trata de una orientación general, y otras fuentes pueden proporcionar valores ligeramente diferentes.

Siempre se deben consultar los datos del fabricante y las referencias de ingeniería para obtener información precisa y actualizada sobre la longitud equivalente de un racor específico.

Sistema de ventilación redondo de 7" (17.8 cm)

Pieza	Longitud	
Codo de 90°	15 ft (4.57 m)	
Cubierta de pared de 7" (17.8 cm)	0.0 ft (0.0 m)	

Ejemplo de sistema de ventilación



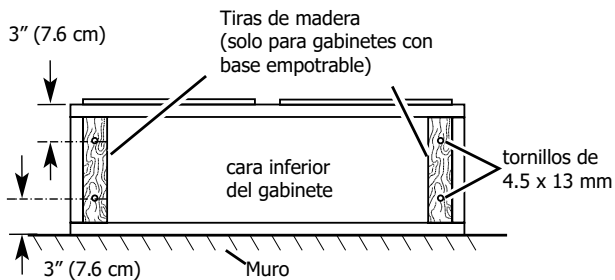
Longitud Máxima Recomendada	= 50 ft (15.2 m)
Codo de 90°	= 15 ft (4.57 m)
6 ft (1.8 m) recto	= 6 ft (1.8 m)
1 cubierta de pared	= 0.0 ft (0.0 m)
Cubierta de pared de 7" (17.8 cm)	= 21 ft (6.37 m)

40 PREPARE EL MONTAJE

NOTA

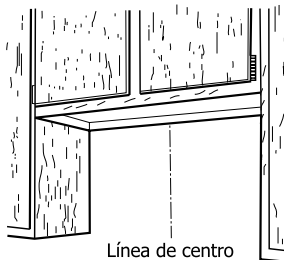
Antes de hacer los recortes, asegúrese que haya suficiente espacio libre dentro del techo o la pared para el ducto de escape.

1. Desconecte el suministro de energía.
2. Levante la campana y colóquela sobre la superficie.
3. Si el gabinete tiene una base empotrada, coloque tiras de madera en cada lado. Fíjelo con tornillos para asegurar.



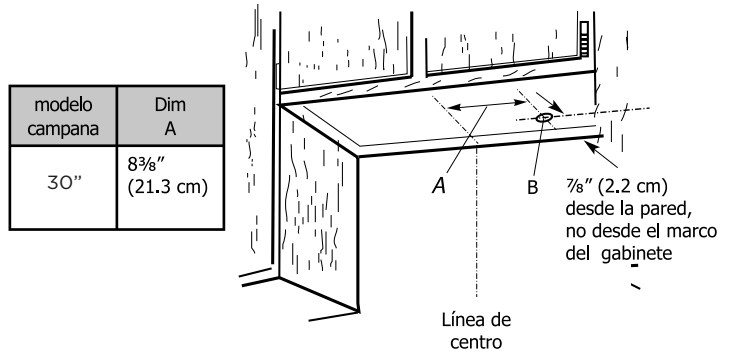
Determine la ubicación del orificio de cableado

1. Determine y marque claramente una línea vertical de centro sobre la pared y el armario en el área que se hará la abertura de ventilación.



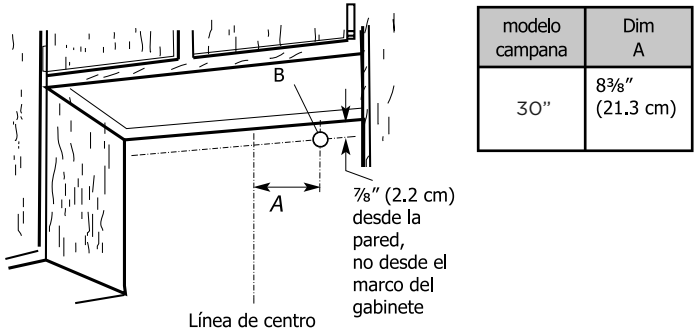
Para hacer el cableado a través de la parte superior:

1. Trace una línea (A) desde la parte derecha de la línea central sobre la parte inferior del armario. Marque el punto sobre esa línea que esté a 7/8" (2.2 cm) desde la pared posterior. Taladre un orificio de 1/4" (3.2 cm) de diámetro (B) a través del armario en este punto.



Para hacer el cableado a través de la pared:

1. Trace una línea (A) desde la parte derecha de la línea central sobre la parte inferior de la pared. Marque el punto sobre esta línea que esté a 7/8" (2.2 cm) desde la parte inferior del armario. Taladre un orificio de 1/4" (3.2 cm) de diámetro a través de la pared posterior en este punto.



SALIDA DE AIRE

Escoja la salida de aire que desee de las opciones listadas a continuación:

Estilo 1 - Versión recirculante de la campana

Para esta instalación, vaya a la sección "Instale la campana (versión recirculante)"

NOTA: Para las instalaciones que ventilan hacia el techo o la pared, la cubierta de ventilación de recirculación debe permanecer en su lugar.

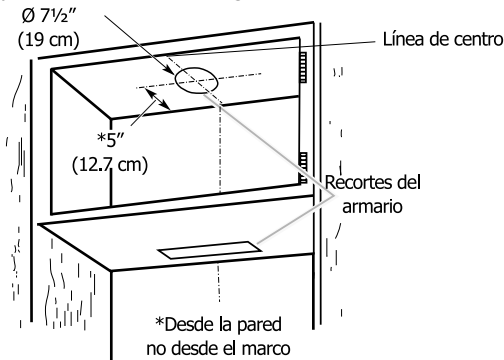
NOTA: Considere utilizar la medida A para la transición redonda de 17,8 cm (7") y la medida B para el sistema de recirculación en las dimensiones de su armario.

Estilo 2 - Aberturas para transición redonda de 7" (17.8 cm) a ducto de ventilación redondo

Ventilación a través del techo

Para hacer una abertura circular en la parte baja del gabinete:

1. Marque una línea central debajo de la parte superior del armario.
2. Marque una línea a 5" (12,7 cm) desde la pared posterior, por debajo de la parte superior del armario.
3. Use un compás o una plantilla en forma circular para dibujar un círculo con un diámetro de 7½" (19 cm). Use sierra caladora para hacer la abertura.
4. Repita los pasos 1 a 3 para hacer la abertura de la parte inferior del gabinete



Instalación del sistema de ventilación

1. Instale la ventilación a través de la abertura en el armario superior o la pared. Complete el sistema de ventilación de acuerdo al método de ventilación seleccionado. Vea la sección "Requisitos de ventilación".
2. Utilice pasta resanadora o silicón para sellar la abertura exterior de la pared o el techo alrededor de la cubierta.

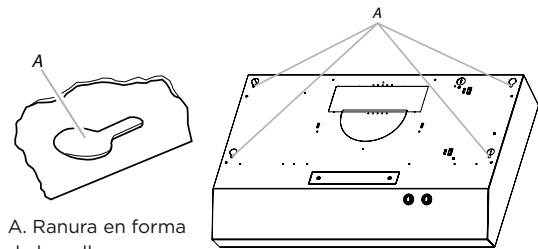
➔ NOTA

Este modelo incluye una placa de montaje redonda para ducto de escape de 7" (17,8 cm) dentro de la campana.

➔ NOTA

Antes de comenzar la instalación, retire la transición instalada en su campana.

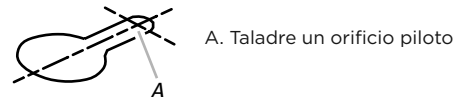
1. Levante la campana para cocina debajo del gabinete y determine la ubicación final centrándola debajo del mismo. Marque en la parte inferior del armario la ubicación de las 4 ranuras de montaje en forma de bocallave en la campana para cocina (Vea las dimensiones de los slots en la página 39). Deje a un lado la campana para cocina sobre una superficie cubierta..



A. Ranura en forma de bocallave

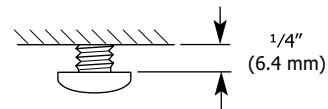
2. Use una broca de 1/8" (3 mm) y taladre 4 orificios piloto como se muestra.

NOTA: Haga las perforaciones en la parte delgada del slot.

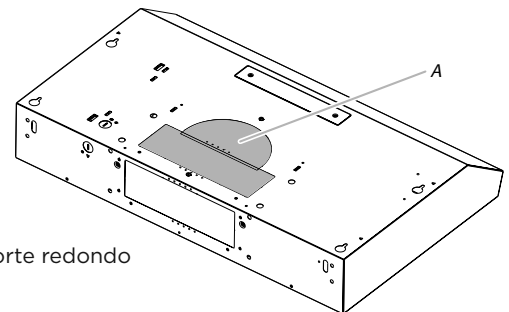


A. Taladre un orificio piloto

3. Instale los 4 tornillos de montaje de .45 cm x 1.3 cm en los orificios piloto. Deje aproximadamente 1/4" (6,4 mm) de espacio entre las cabezas de los tornillos y el armario para deslizar la campana para cocina en el lugar.



4. Retire el orificio de ventilación redondo superior.



A. Precorte redondo

➔ NOTA

El precorte debe retirarse con un destornillador o un elemento de palanca, no con un martillo.

42 INSTALACIÓN DE LA CAMPANA

VERSIÓN ASPIRANTE

Instalación del conector de ducto

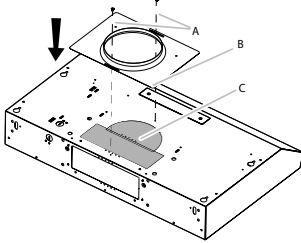
→ NOTA

Retire por completo la película protectora.

→ NOTA

Para esta versión se requiere retirar el filtro de carbón. Consulte sección "Mantenimiento de la campana".

Instale el conector redondo para ducto de escape de 7" (17.8 cm) dependiendo del tipo de ducto que desee instalar. Asegúrelo a la campana con los tornillos indicados que vienen incluidos.



- A. Tornillos .29 x .65 cm
- B. Placa de montaje 7" (17.8 cm)
- C. Precorte redondo

→ NOTA

La placa de montaje redonda de 7" (17.8 cm) puede ser instalada con 1" (2.5 cm) de desface del centro de la campana por cada lado para poder insertarlo al ducto de ventilación.

Instalación del cable de suministro de energía

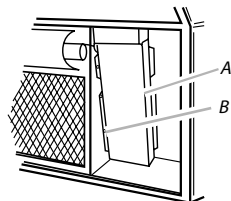
1. Para las instalaciones por cable directo, haga pasar el cable eléctrico de la casa según las normas del National Electric Code o CSA y los códigos y ordenanzas locales. Debe haber suficiente cable de la caja del desconectador con fusible para hacer la conexión en la caja de terminales de la campana.

→ NOTA

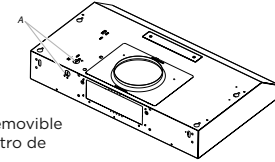
No vuelva a conectar la alimentación hasta que la instalación esté completa.

2. Quite el tornillo de la tapa de la caja de terminales. Quite la cubierta de la caja de terminales y déjela a un lado

- A. Tapa de la caja de terminales
- B. Tornillo



3. Quite el disco removible de suministro eléctrico de la parte superior o posterior de la capota de ventilación (dependiendo de la ubicación de la entrada del cable eléctrico de su casa) e instale un protector de cables de 1/2" que esté en la lista de UL o aprobado por CSA.



A. Disco removible de suministro de energía

4. Con la ayuda de 2 o más personas, levante la campana y colóquela en su posición final. Apriete los tornillos del protector de cables.
5. Ubique la campana para cocina de modo que el extremo grande de las ranuras esté sobre los tornillos de montaje. Después empuje la campana hacia la pared para que los tornillos queden en el cuello de las ranuras. Apriete los tornillos de montaje.
6. Conecte el sistema de ductos a la campana. Selle las uniones con las abrazaderas o cinta para ductos, para que quede seguro y hermético.
7. Verifique que las compuertas de contratiro funcionen adecuadamente.

HAGA LA CONEXIÓN ELÉCTRICA

! ADVERTENCIA

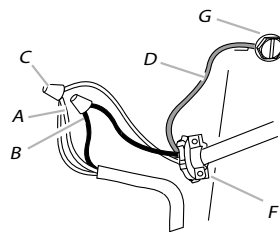
Peligro de Choque Eléctrico

Desconecte el suministro de energía antes de darle mantenimiento.

Vuelva a colocar todos los componentes y paneles antes de hacerlo funcionar.

No seguir estas instrucciones puede ocasionar la muerte o choque eléctrico.

1. Desconecte el suministro de energía



- A. Cables blancos
- B. Cables negros
- C. Conector de cables aprobado por UL
- D. Cable de tierra verde o desnudo
- E. Cable de suministro eléctrico de la casa.
- F. Protector de cables de 1/2" que esté en la lista de UL o aprobado por CSA
- G. Tornillo verde de puesta a tierra

2. Use conectores de cables que estén en la lista de UL y conecte los alambres blancos (A) juntos (**hay dos cables blancos en la campana, ambos deben conectarse a la fuente de alimentación**).
3. Use conectores de alambres que estén en la lista de UL y conecte los cables negros (B) juntos.
4. Conecte el cable a tierra verde (o desnudo) del suministro de energía al tornillo verde de tierra en la caja de terminales y apriételo firmemente

5. Instale la cubierta de la caja de terminales y reconecte el suministro de energía.



ADVERTENCIA

Peligro de Incendio

Conecte el motor a tierra.

Use alambre de cobre.

Conecte el alambre de tierra al tornillo verde de conexión tierra en la caja de terminales.

No seguir estas instrucciones puede causar la muerte, incendio o choque eléctrico.

Complete la instalación

1. Vuelva a colocar el filtro para grasa, si lo ha quitado. Consulte la sección "Cuidado de la campana para cocina"..
2. Verifique el funcionamiento del ventilador de la campana para cocina y la luz. Consulte la sección "Uso de la campana para cocina".

Si la campana para cocina no funciona, revise si se ha disparado un cortacircuitos o si se ha quemado un fusible doméstico. Desconecte el suministro eléctrico y revise las conexiones de cableado.



NOTA

Para obtener un uso más eficaz de su nueva campana, lea la sección "Uso de la campana".

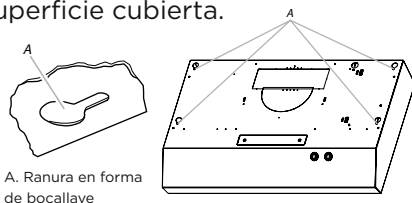
VERSIÓN RECIRCULANTE



NOTA

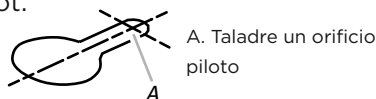
Retire por completo la película protectora.

1. Levante la campana para cocina debajo del gabinete y determine la ubicación final centrándola debajo de este. Marque en la parte inferior del armario la ubicación de las 4 ranuras de montaje en forma de bocallave (Ver dimensiones de las ranuras en la página 45) Deje a un lado la campana para cocina sobre una superficie cubierta.

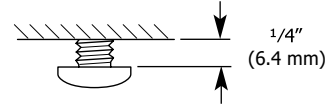


2. Use una broca de 1/8" (3 mm) y taladre 4 orificios piloto como se muestra.

NOTA: Haga las perforaciones en la parte delgada del slot.



3. Instale los 4 tornillos de montaje de .45 cm x 1.3 cm en los orificios piloto. Deje aproximadamente 1/4" (6.4 mm) de espacio entre las cabezas de los tornillos y el armario para deslizar la campana para cocina en el lugar.



Instalación del cable de suministro de energía

1. Para las instalaciones por cable directo, haga pasar el cable eléctrico de la casa. Debe haber suficiente cable de la caja para hacer la conexión en la caja de terminales de la campana.



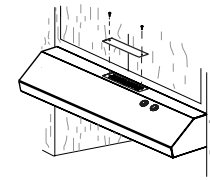
NOTA

No reconecte la electricidad hasta que se haya terminado la instalación.

1. Quite el tornillo de la tapa de la caja de terminales. Quite la cubierta de la caja de terminales y déjela a un lado.
2. Quite el disco removible de suministro eléctrico de la parte superior o posterior de la capota de ventilación e instale un protector de cables de 1/2" que esté en la lista de UL o aprobado por CSA.
3. Con la ayuda de 2 o más personas, levante la campana cable eléctrico a través del protector de cables de 1/2" que esté en la lista de UL o aprobado por CSA para hacer las conexiones en la caja de terminales. Apriete los tornillos del protector de cables.
4. Ubique la campana para cocina de modo que el extremo grande de las ranuras en forma de bocallave esté sobre los tornillos de montaje. Después empuje la campana hacia la pared para que los tornillos queden en el cuello de las ranuras. Apriete los tornillos de montaje, asegurándose de que los tornillos estén en el cuello angosto de las ranuras.

Cubierta de Recirculación

Para instalaciones recirculantes, la cubierta superior debe ser retirada. Quite la tapa de recirculación retirando los dos tornillos de montaje con un destornillador Phillips



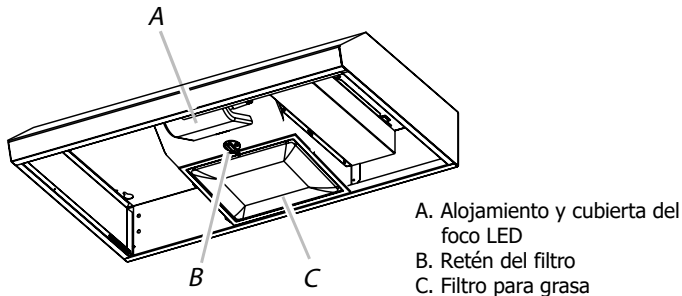
NOTA: Para instalaciones que descargan el aire hacia el techo o la pared, la tapa recirculante debe permanecer en su lugar o este no funcionará correctamente. Para completar la instalación, vaya a la sección "Haga las conexiones eléctricas" en la página 50.

NOTA: Considere el uso de la medida A para la transición redonda de 17,8 cm (7") y la medida B para el sistema de recirculación.

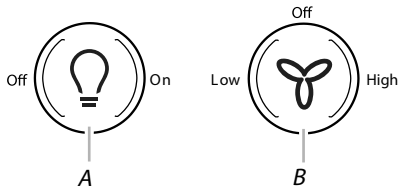
44 USO DE LA CAMPANA

La campana para cocina está diseñada para eliminar el humo y los vapores de cocción de la zona de cocción. Para obtener los mejores resultados, encienda la campana antes de cocinar y déjela funcionar varios minutos después de terminar de cocinar para eliminar todo el humo de la cocina.

Los controles de la campana están situados en la parte frontal de la campana extractora.



Controles de la Campana



A. Interruptor de On/Off (Encendido/Apagado) de la luz
B. Interruptor de velocidad del ventilador

Cómo utilizar la luz

Presione el interruptor de luz a la derecha para encender la luz.

Presione el interruptor de luz a la izquierda para apagar la luz.

Funcionamiento del ventilador

Empuje el interruptor del ventilador a la izquierda para la velocidad Low (Baja). Empuje el interruptor del ventilador a la derecha para la velocidad High (Alta). Empuje el interruptor del ventilador hacia el medio para apagarlo (Off).

Limpieza

! ADVERTENCIA

Para reducir el riesgo de incendio o choque eléctrico desconecte la toma de corriente antes de la limpieza.

➔ IMPORTANTE

Limpe los filtros de grasa frecuentemente de acuerdo a las siguientes instrucciones. Coloque nuevamente los filtros de grasa antes de encender su equipo.

➔ IMPORTANTE

Superficies Exteriores

No use estropajos que vienen con jabón, productos de limpieza abrasivos, crema para pulir la superficie de cocción, estropajos de metal, paños ásperos ni toallas de papel.

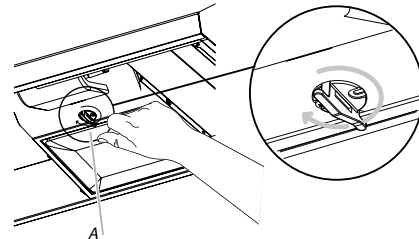
Método de limpieza:

- Use agua tibia con detergente líquido o limpiador multiusos y un paño suave para limpiar la superficie.
- Enjuague con agua limpia y seque con un paño suave que no deje pelusa.
- Use limpiador de vidrios para quitar las huellas digitales.
- Para acabados en acero inoxidable frote en la dirección del grano para evitar rayar la superficie.

NOTA: En acabados en acero inoxidable, frote en la dirección del cepillado para evitar rayar o dañar la superficie.

Para limpiar o reemplazar el filtro:

1. Retire el tornillo de la perilla de sujeción con un destornillador de cruz.
2. Gire la perilla para liberar el filtro.



3. Vuelva a colocar el filtro desplazando la orilla trasera de este en el canal de instalación. Empuje el filtro en su lugar y gire la perilla para asegurarlo a la campana.
4. Vuelva a colocar el tornillo de la perilla de sujeción.

5. Para limpiar el filtro de grasa, sumerja el filtro en agua caliente con detergente. Enjuague bien y sacuda para secar. Puede colocarlo en el rack superior del lavavajillas para ser lavado.

NOTA: No use amoníaco. El aluminio del filtro de grasa se corroe y oscurece con el uso de este.

NOTA: Puede utilizar cualquier método de limpieza: lavaplatos o solución caliente con detergente.



NOTA

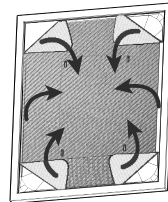
El filtro de grasa puede ser lavado en lavavajillas.

Para evitar dañar el filtro de grasa, coloque el filtro en el último rack del lavaplatos para su limpieza.

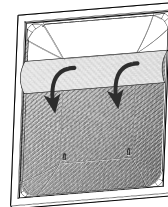
Filtro de carbón

1. Para la campana recirculante, hay disponible un filtro de carbón vegetal opcional ya instalado en el filtro.
2. El filtro de carbón no es lavable. Debería durar hasta 6 meses con un uso normal. Sustituya el filtro de carbón vegetal viejo por uno nuevo.
3. Si desea transformar su campana en un sistema de extracción exterior, deberá retirar la capa de carbón vegetal del filtro.

4. La capa de carbón vegetal está sujeta con un juego de grapas en el centro del filtro; para retirar la capa sin dañar el filtro, separe los bordes del carbón vegetal del marco hasta que sólo queden las grapas sujetándolo.



5. Retire la capa de carbón en dirección paralela a las grapas. Si tira en otra dirección, podría ser más difícil de desprender y el filtro podría sufrir cierto nivel de deformación.



6. La capa se puede quitar fácilmente con la mano, pero de ser necesario, utilice unas tijeras para recortarla.

46 RESOLUCIÓN DE PROBLEMAS

Problema	Causas posibles	Soluciones
Después de la instalación, el equipo no funciona.	1. El cable de alimentación y el conector no están conectados correctamente.	1. Asegúrese que el aparato esté correctamente conectado.
	2. Los cables de los switches están desconectados o flojos.	2. Asegúrese de que los cables de los switches estén conectados apropiadamente.
Las lámparas funcionan, pero el motor no enciende.	1. El motor es defectuoso.	1. Change the motor.
	2. El sistema de protección térmica detecta si el motor es demasiado caliente para operar y lo apaga.	2. El motor funcionará adecuadamente después de que el sistema de protección térmica se enfríe.
	3. El cable del motor no está conectado.	3. Asegurese que el cable del motor esté conectado al conector molex.
El equipo vibra.	1. El motor no está bien instalado en su lugar.	1. Asegure el motor a su lugar.
	2. Aspas del motor dañadas.	2. Cambie las aspas o el motor.
	3. La campana no se encuentra bien instalada.	3. Verifique que la campana esté bien instalada.
El motor funciona pero las lámparas no.	1. Lámpara defectuosas.	1. Cambie la lámpara.
	2. Lámparas flojas.	2. Apriete las lámparas.
	3. Los cables en el switch de lámparas están flojos..	3. Asegúrese de que los cables en el switch de las lámparas estén bien conectados.
La campana no extrae el aire	1. La campana está colocada a una altura superior a la sugerida.	1. Ajuste la distancia entre la estufa (superficie de cocinado) y la base de la campana en un rango de 24 a 32 in.
	2. El viento que entra por ventanas o puertas abiertas en el área cercana afectan a la extracción de la campana.	2. Cierre puertas y ventanas para evitar que entre el flujo de aire exterior.
	3. Existe un bloqueo en el sistema de ventilación.	3. Retire el bloqueo en el sistema de ventilación.
	4. La dirección de la apertura de salida de aire es contraria a la dirección del aire.	4. Ajuste la dirección de la salida de aire.
	5. Se está utilizando un tamaño incorrecto de tubos de ventilación.	5. Cambie el sistema de ventilación por el correcto.
El filtro de metal vibra.	1. El filtro de metal está flojo.	1. Asegúrese de que el seguro aún funcione.
	2. El seguro del filtro no se mueve libremente.	2. Reemplace el filtro de metal.

Su electrodoméstico está cubierto por una garantía limitada de un año. Durante un año a partir de la fecha original de compra, Electrolux cubrirá todos los costos de reparación o reemplazo de cualquier pieza de éste electrodoméstico que se encuentre defectuosa en materiales o mano de obra cuando el electrodoméstico se instala, utiliza y mantiene de acuerdo con las instrucciones proporcionadas. Exclusions

Esta garantía no cubre lo siguiente:

1. Productos a los que se les quitaron o alteraron los números de serie originales o que no pueden determinarse con facilidad.
2. Productos que hayan sido transferidos del dueño original a un tercero o que no se encuentren en los EE.UU. o en Canadá.
3. Óxido en el interior o exterior de la unidad.
4. Los productos comprados "previamente usados o productos muestra" no están cubiertos por esta garantía.
5. Pérdida de alimentos por fallas del refrigerador o congelador.
6. Productos utilizados para fines comerciales.
7. Las llamadas de servicio que no involucren el funcionamiento defectuoso ni los defectos de materiales o de mano de obra, o para electrodomésticos que no sean utilizados para uso normal del hogar o de acuerdo con las instrucciones proporcionadas.
8. Llamadas de servicio para corregir errores de instalación o para instruirlo sobre el uso del mismo.
9. Gastos para facilitar el acceso al electrodoméstico para el servicio, tales como la remoción de molduras, armarios, estantes, etc. que no eran parte del electrodoméstico cuando se envió de la fábrica.
10. Llamadas de servicio para reparar o reemplazar bombillas, filtros de aire, filtros de agua, otros consumibles, perillas, manijas u otras piezas decorativas.
11. Costos adicionales que incluyen, sin limitarse, cualquier llamada de servicio fuera de las horas de oficina, durante los fines de semana o días feriados, peajes, pasajes de transporte o millaje/kilometraje para llamadas de servicio en áreas remotas, incluyendo el estado de Alaska.
12. Daños al acabado del electrodoméstico o al hogar que hayan ocurrido durante la instalación, incluyendo, sin limitarse, los armarios, paredes, etc.
13. Daños causados por: servicio realizado por compañías de servicio no autorizadas, el uso de piezas que no sean piezas genuinas Electrolux o piezas obtenidas de personas que no pertenezcan a compañías de servicio autorizado, o causas externas como abuso, mal uso, suministro eléctrico inadecuado, accidentes, incendios, hechos fortuitos o desastres naturales.

RENUNCIA DE RESPONSABILIDAD DE GARANTÍAS IMPLÍCITAS

LIMITACIÓN DE ACCIONES LEGALES LA ÚNICA Y EXCLUSIVA OPCIÓN DEL CLIENTE BAJO ESTA GARANTÍA LIMITADA ES LA REPARACIÓN O REEMPLAZO DEL PRODUCTO SEGÚN SE INDICA. LOS RECLAMOS BASADOS EN GARANTÍAS IMPLÍCITAS, INCLUYENDO LAS GARANTÍAS DE COMERCIALIZACIÓN O APTITUD DEL PRODUCTO PARA UN PROPÓSITO ESPECÍFICO, ESTÁN LIMITADOS A UN AÑO O AL PERÍODO MÍNIMO PERMITIDO POR LEY, PERO NUNCA MENOS DE UN AÑO. ELECTROLUX NO SERÁ RESPONSABLE POR DAÑOS CONSECUENTES O INCIDENTALES COMO POR EJEMPLO DAÑOS A LA PROPIEDAD Y GASTOS INCIDENTALES OCASIONADOS POR EL INCUMPLIMIENTO DE ESTA GARANTÍA ESCRITA O DE CUALQUIER GARANTÍA IMPLÍCITA. ALGUNOS ESTADOS Y PROVINCIAS NO PERMITEN LA EXCLUSIÓN O LIMITACIÓN DE DAÑOS INCIDENTALES O CONSECUENTES O LIMITACIONES EN LA DURACIÓN DE LAS GARANTÍAS IMPLÍCITAS, DE MANERA QUE PUEDE QUE ESTAS LIMITACIONES O EXCLUSIONES NO SE APLIQUEN EN SU CASO. ESTA GARANTÍA ESCRITA LE OTORGA DERECHOS LEGALES ESPECÍFICOS. ES POSIBLE QUE TAMBIÉN TENGA OTROS DERECHOS QUE VARÍAN DE UN ESTADO A OTRO.

Si tiene que solicitar servicio técnico

Guarde su recibo, el comprobante de entrega o cualquier otro registro de pago adecuado para establecer el período de la garantía si llegara a requerir servicio. Si se realiza la reparación, le conviene obtener y conservar todos los recibos. El servicio realizado bajo esta garantía debe ser obtenido a través de Electrolux utilizando las direcciones o números que se indican abajo. Esta garantía sólo se aplica en los Estados Unidos y Canadá. En los EE.UU., su electrodoméstico está garantizado por Electrolux Major Appliances North America, una división de Electrolux Home Products, Inc. En Canadá, su electrodoméstico está garantizado por Electrolux Canada Corp. Electrolux no autoriza a ninguna persona a cambiar o agregar ninguna obligación bajo esta garantía. Nuestras obligaciones de reparación y piezas bajo esta garantía deben ser realizadas por Electrolux o compañía de servicio autorizado. Las especificaciones y características del producto según se describen o ilustran están sujetas a cambio sin previo aviso.

USA
1-800-374-4432
Frigidaire
10200 David Taylor Drive
Charlotte, NC 28262



Electrolux

Canada
1.800.265.8352
Electrolux Canada Corp.
5855 Terry Fox Way
Mississauga, Ontario, Canada
L5V 3E4

FRIGIDAIRE®

welcome home

Our home is your home. Visit us if you need help with any of these things:



owner support



accessories



service



registration

(See your registration card for more information.)

Frigidaire.com
1-800-374-4432

Frigidaire.ca
1-800-265-8352