



Laundry Tower Single Unit Front Load 5.1 Cu. Ft. I.E.C Washer and 8 Cu. Ft. Electric Dryer

Laundry Tower

Available Products: ELTE730CAW, ELTE730CAD

Available Colors: White, Denim Blue

Version: 04/26

## Product Specifications

<b>Washer</b>		<b>Washer Cycles</b>	
Drum Material	Stainless Steel	Cycle Count	7
Maximum Spin Speed	1100 RPM	Clean Washer	Yes
Water Level Adjustment	Yes	Delicates	Yes
<b>Washer Options</b>		Fast Wash	Yes
Delay Start Time	1-12 Hours	Heavy Duty	Yes
Extended Refresh	Yes	Normal	Yes
Extra Rinse	Yes	Rinse and Spin	Yes
Stain Treat	Yes	Towels	Yes
<b>Washer Spin Speeds</b>		<b>Soil Levels</b>	
Spin Speed Selections	4	Extra Light	Yes
Max	Yes	Light	Yes
Medium	Yes	Normal	Yes
Low	Yes	Heavy	Yes
No Spin	Yes	<b>Dryer</b>	
<b>Temperature Settings</b>		Balanced Dry	Yes
Eco Cold	Yes	Drum Back Type	Painted Steel
Cool	Yes	Drum Material	Painted Steel
Warm	Yes	Dryness Level Selections	Yes
Hot	Yes	Lint Filter	Yes
<b>Dispenser</b>		Moisture Sensor	Yes
Bleach Dispenser	Yes	<b>Dryer Options</b>	
Detergent Dispenser	Yes	Delay Start Time	1-12 Hours
Fabric Softener Dispenser	Yes	Dry Boost	Yes
Prewash Detergent Dispenser	Yes	Extended Tumble	Yes
<b>Dryer Cycles</b>		Wrinkle Release	Yes
Cycle Count	7	<b>Dryness Level</b>	
Allergen	Yes	High	Yes
Delicates	Yes	Normal	Yes
Fast Dry	Yes	Low	Yes
Heavy Duty	Yes	Damp	Yes
Normal	Yes	<b>Exterior</b>	
Timed Dry Time	Yes	Door Latch	Yes
Towels	Yes	Reversible Door	Yes

Washer and 8 Cu. Ft. Electric Dryer

Available Products: ELTE730CAW, ELTE730CAD

Available Colors: White, Denim Blue

Version: 04/26

**Drying Temperatures**

Low	Yes
Normal	Yes
High	Yes
Eco Dry	Yes

**Controls**

Cancel	Yes
Child Lock	Yes
Control Lock	Yes
Delay Start	Yes
Estimated Time Remaining	Yes
How to Cancel	Key Combination
Pause Function	Yes
Power On/Off	Yes
Start	Yes

**Dimensions and Volume**

Height	76 1/4"
Width	27"
Depth	32"
Minimum Depth for Installation	36"
Dryer Drum Capacity	8 Cu. Ft.
Dry Linen Capacity Tested Amount	11 kg

**Energy Data**

Combined Energy Factor (CEF)	3.93
Energy Efficiency	Tier 1
Integrated Modified Energy Factor	2.76
Integrated Water Factor	3.2
kWh/year	670 kWh
Water Usage/Year	4154 Gallons

**General Specifications**

Chime On / Chime Off	Yes
Leveling Legs	Yes
Warranty - Labor	1 Year
Warranty - Motor	10 Years
Warranty - Parts	1 Year
Warranty - Tub	Lifetime

**Performance Certifications and Approvals**

ENERGY STAR Certified	Yes
-----------------------	-----

**Electrical Specifications**

Minimum Circuit Required (Dryer)	30 Amps
Minimum Circuit Required (Washing Machine)	15 Amps
Voltage Rating (Dryer)	208/240v
Voltage Rating (Washing Machine)	120v

**Installation**

Dryer Power Cord Included	Yes
Washer Power Cord Included	Yes
Ventilation Type	Vented

**Certifications and Approvals**

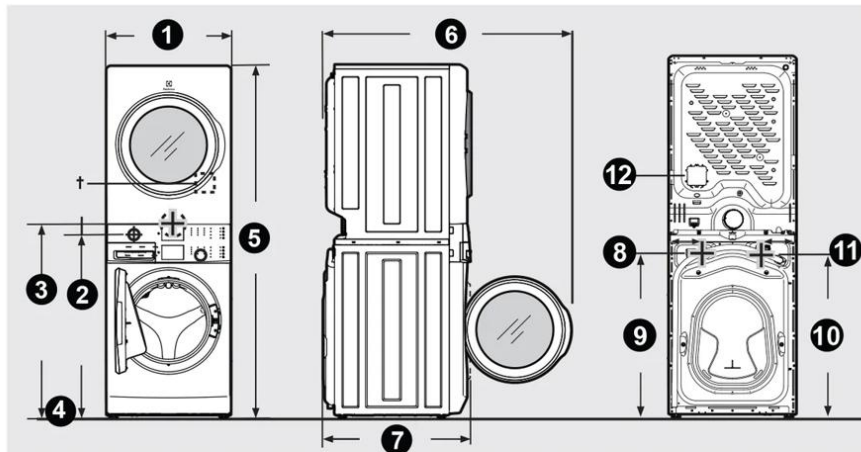
ADA Compliant	No
---------------	----

**Right to Repair Details**

Right to Repair	Available - Visit <a href="http://electrolux.ca/en/Owner-Support/right-to-repair">electrolux.ca/en/Owner-Support/right-to-repair</a> for more information
-----------------	---

## Installation Diagram

### Laundry Center Dimensions



<sup>1</sup> Dryer electrical supply on rear of unit.

#### NOTE

- Allow minimum 36" of depth space for proper installation with 90° quick turn elbow for venting.
- Connection of water inlet hose on steam laundry center adds 3/4 in. (2 cm) to installation depth.
- Power supply cord length on washer approximately 60 inches (152.5 cm).
- Drain hose length on washer approximately 59 inches (150 cm).
- Power supply cord length on gas laundry center or electric Canadian laundry center approximately 60 inches (152.5 cm).

Laundry Center Dimensions	
1. Unit width	27" (69 cm)
2. Height to gas supply pipe on rear of gas unit	39.7" (101 cm)
3. Centerline height for rear vent	41.8" (106 cm)
4. Floor line	--
5. Unit height	76.3" (194 cm)
6. Door clearance	53.9" (137 cm)
7. Unit depth	31.9" (81 cm)
8. Width distance to water connections	7.8" (20 cm)
9. Height to water connections	35.7" (91 cm)
10. Height to washer power connections	35.5" (91 cm)
11. Width distance to washer power connections	7.1" (18 cm)
12. Height to dryer electrical supply	48" (122 cm)