

BUILT-IN ALL FREEZER

EI32AF80QS

Featuring IQ-Touch™ Electronic Controls



PRODUCT DIMENSIONS

Height (Cabinet Incl. Hinge)	70-5/8"
Width	32"
Depth (Incl. Door)	26-1/2"

MORE EASY-TO-USE FEATURES

IQ-TOUCH™ CONTROLS

For those who like to have their options always visible on the IQ-Touch™ control panel.

BUILT-IN TRIM KIT

Optional trim kit(s) are available in stainless steel for built-in refrigerator, built-in freezer or side-by-side configuration.

AUTOMATIC ICE MAKER

Ensures you'll always have extra ice on hand.

ENHANCED LIGHTING

Bright lighting makes finding food easy.

ALARM SYSTEM

Notifies you if there's been a power failure, if a door stays open longer than five minutes and if the interior temperature of the freezer rises above 23 degrees for more than 60 minutes.

PUREADVANTAGE® AIR FILTER

Keeps clean, filtered air circulated throughout to prevent odour transfer.

Available in:



Stainless
(S)

SIGNATURE FEATURES



SURE-2-FIT® CAPACITY

Our most usable space inside gives you plenty of space to stock up so you'll always have food on hand for even an impromptu gathering.



FULL-WIDTH GLASS SHELVES

25" Full-width glass shelves provide enough space for large platters and are designed to keep spills contained, making them easy to clean.



LUXURY-GLIDE® FULL-WIDTH FREEZER DRAWERS

Drawers glide out smoothly and fully extend, giving you easy access to what's inside.



SOFT FREEZE™ BIN

Perfect storage for things like ice cream or anything you want to keep frozen, but still soft for serving.

OPTIONAL TRIM KITS

84" LOUVERED TRIM KITS

(ECP8436SS & ECP8472SS)
Designed as a replacement option for the Sub-Zero® brand 650 Series models and for new-build installation.

79" LOUVERED / 75" COLLAR TRIM KITS²

(TRIMKITSS1 & TRIMKITSS2)
Designed as a replacement option for Electrolux ICON® brand models E32AR75FPS and E32AF75FPS and for new-build installation.

72" COLLAR TRIM KITS

(ECP7236SS & ECP7272SS)
Designed as a replacement option for the Sub-Zero® brand 601 Series models and for new-build installation.

²Kits are designed to fit either 79" or 75" opening height. For 79" cutout opening height, installation requires use of top louvered grille; for 75" cutout opening height, installation requires use of top trim piece and shortening of both side trim pieces.
Sub-Zero® is a registered trademark of Sub-Zero, Inc.

BUILT-IN ALL FREEZER

EI32AF80QS



19 CU. FT. BUILT-IN ALL FREEZER

CAPACITIES

Total Capacity	18.6 Cu. Ft.
Total Shelf Area	19.7 Sq. Ft.

EXTERIOR

Hidden Hinge Door Design	Yes
Signature Soft-Arc Handle Design	Yes

FEATURES

IQ-Touch™ Electronic Controls	Yes
Temp Alarm System	Yes
Door Ajar Alarm	Yes
Power Failure Alarm	Yes
PureAdvantage® Air Filtration	Yes
Adjustable Full-Width Glass Shelves (Silver Trim)	2
Luxury-Glide® Full-Width Bottom Basket	1
Luxury-Glide® Full-Width Mid-Level Baskets	2
Soft Freeze™ Bin with Tall Bottle Retainer	1
Clear Half-Width Adjustable Door Bin	4
Full-Width Door Bin	1
Luxury-Design® LED Lighting	Yes
Automatic Ice Maker	Yes
Door Closer	Yes
Luxury-Quiet™ Design	Yes
Air Filter Indicator	Yes
Electronic Control Lock	Yes

ADDITIONAL FEATURES

Sabbath Mode (Star-K® Certified)	Yes
----------------------------------	-----

ACCESSORIES

84" Louvered Trim Kits:	Single – PN # ECP8436SS	Optional
	Double – PN # ECP8472SS	Optional
72" Collar Trim Kits:	Single – PN # ECP7236SS	Optional
	Double – PN # ECP7272SS	Optional
79" Louvered / 75" Collar Trim Kits ¹ :	Single – PN # TRIMKITSS1	Optional
	Double – PN # TRIMKITSS2	Optional

SPECIFICATIONS

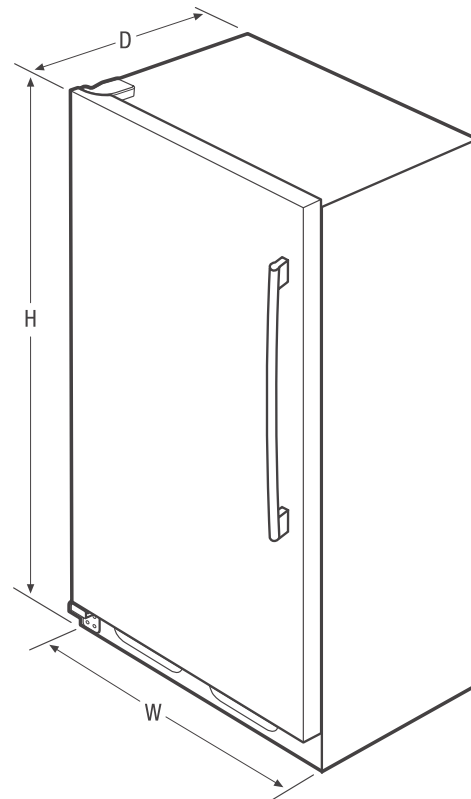
Colour –	
Stainless Steel	S
Power Supply Connection Location	Right Bottom Rear
Water Inlet Location	Left Bottom Rear
Voltage Rating	115V / 60 Hz
Connected Load (kW Rating) @ 115 Volts ²	0.55
Minimum Circuit Required (Amps)	20
Shipping Weight (Approx.)	255 Lbs.

¹Kits are designed to fit either 79" or 75" opening height. For 79" cutout opening height, installation requires use of top louvered grille; for 75" cutout opening height, installation requires use of top trim piece and shortening of both side trim pieces.

²An electrical supply with grounded three-prong receptacle is required. The power supply circuit must be installed in accordance with national and local codes & ordinances.

NOTE: Always consult local and national electric and plumbing codes. Refer to Product Installation Guide for detailed installation instructions on the web at electroluxappliances.ca.

Specifications subject to change.



PRODUCT DIMENSIONS

Height (Including Door)	71-3/8"
(Cabinet Including Hinge)	70-5/8"
Width	32"
Depth (Including Door)	26-1/2"
(With Door Open 90°)	57-3/8"

Electrolux Major Appliances, N.A.

CANADA • 5855 Terry Fox Way • Mississauga, ON L5V 3E4 • 1-800-265-8352 • electroluxappliances.ca

EI32AF80Q 08/15

© 2015 Electrolux Major Appliances, N.A.



High standards of quality at Electrolux Home Products, Inc. mean we are constantly working to improve our products. We reserve the right to change specifications or discontinue models without notice.

Printed in Canada