

# FRENCH DOOR REFRIGERATOR

EI23BC37SS

Featuring IQ-Touch™ Electronic Controls



## PRODUCT DIMENSIONS

|        |         |
|--------|---------|
| Height | 69-7/8" |
| Width  | 36"     |
| Depth  | 28-1/2" |

## MORE EASY-TO-USE FEATURES

### ENERGY STAR®-CERTIFIED

Our products are rigorously tested to meet strict ENERGY STAR® guidelines.

### IQ-TOUCH™ CONTROLS DISPLAY ALL YOUR OPTIONS

For those who like to have their options always visible, the IQ-Touch™ control panel displays all of your options, at all times.

### SLIDING SPILLSAFE® GLASS SHELVES

Slide-out for easy access and are designed to keep spills contained, making them easy to clean.

### LUXURY-DESIGN® LIGHTING

Our designer LED lighting ramps up and is as beautiful as it is functional.

### LUXURY-GLIDE® FREEZER DRAWERS FOR EFFORTLESS ACCESS TO ITEMS

Access it all — our Luxury-Glide® Freezer drawers glide out smoothly and fully extend, letting you see every last item inside.

### PUREADVANTAGE® FILTRATION SYSTEMS

Our filtration system keeps clean, filtered air circulated throughout and our 3M® water filter keeps fresh, clean water and ice at your fingertips.

### STAY INFORMED WITH THE REFRIGERATION ALARM SYSTEM

Rest assured with our Refrigeration Alarm System, which alerts you to important changes, including power failures, an open door and elevated freezer temperatures.

### FULL-EXTENSION FREEZER BASKETS

Baskets give you additional functional space to organize and store more.

## SIGNATURE FEATURES



### COOL ZONE™ KEEPS ITEMS READY TO SERVE

When you need to entertain on a whim, you can rely on our Cool Zone™, which keeps snacks and beverages perfectly chilled and ready to serve.



### CRISPER DRAWERS KEEP FRUITS AND VEGGIES AT THEIR MOST DELICIOUS

Veggies and fruits retain their just-picked taste with our Adjustable Humidity-Controlled Crisper Drawers that lock in freshness longer.



### COUNTER-DEPTH DESIGN

Gives you a sleek built-in look.



### SELF-CLOSING DOORS GIVE YOU PEACE OF MIND

Maintain your desired temperature in the refrigerator while never worrying about accidentally leaving the door open.

Available in:



Stainless  
(S)

# FRENCH DOOR REFRIGERATOR

EI23BC37SS



## 23 CU.FT. COUNTER-DEPTH FRENCH DOOR REFRIGERATOR

### CAPACITIES

|                       |               |
|-----------------------|---------------|
| Total Capacity        | 21.6 Cu. Ft.  |
| Fresh Food Volume     | 14.82 Cu. Ft. |
| Freezer Volume        | 6.82 Cu. Ft.  |
| Total Shelf Area      | 23.2 Sq. Ft.  |
| Fresh Food Shelf Area | 17.85 Sq. Ft. |
| Freezer Shelf Area    | 5.36 Sq. Ft.  |

### EXTERIOR

|   |                 |
|---|-----------------|
| Signature Soft-Arc Door and Handle Design           | Yes             |
| Electronic Controls                                 | IQ-Touch™       |
| Hidden Hinge Door Design                            | Yes             |
| Ice/Water Dispenser                                 | Yes             |
| Perfect Set® Temperature Control System and Display | Yes             |
| Crushed Ice / Cube Ice / Water                      | Yes / Yes / Yes |
| Air and Water Filter Indicator / Reset              | Yes             |
| Ice Maker On / Off                                  | Yes             |
| Fast Freeze™  |                 |
| Lock / Dispenser Light Control                      | Yes / Yes       |

### FRESH FOOD CONVENIENCES

|   |                 |
|---|-----------------|
| PureAdvantage® Water & Ice                            | Yes             |
| PureAdvantage® Air Filtration / Water Filter Location | Yes / Top Right |
| Temp Alarm System / Door Ajar Alarm                   | Yes / Yes       |
| Power Failure Alarm                                   | Yes             |
| SpillSafe® Glass Shelves                              | Sliding         |
| Humidity-Controlled Left Crisper                      | Luxury-Glide®   |
| Humidity-Controlled Right Crisper                     | Luxury-Glide®   |
| Perfect Temp® Drawer                                  |                 |
| Cool Zone™ Drawer                                     | Yes             |
| Wine and Beverage Rack                                |                 |
| Dispenser Bin   | Yes             |
| Clear Gallon Door Bins (Adjustable)                   | 1               |
| Clear 2-Liter Door Bins (Removable)                   | 1               |
| Clear 1/2-Gallon Door Bins (Adjustable)               | 1               |
| Clear Condiment Bin                                   | 1               |
| Clear Dairy Door                                      | 1               |
| Clear Tilt-Out Can Racks                              | 2               |
| Luxury-Design® LED Ramp-Up Multilevel Lighting        | Yes             |
| Automatic Ice Maker                                   | Yes             |

### FREEZER CONVENIENCES

|   |               |
|---|---------------|
| Automatic Ice Maker (Optional Second Ice Maker) | PN # IMK0023A |
| Luxury-Glide® Self-Closing Drawer               | Yes           |
| Sliding Freezer Baskets                         | Yes           |
| Soft Freeze™ Bin/Wire Pizza Slot                | No / Yes      |
| Plastic Basket Tray                             | Yes           |
| Luxury-Design® LED Ramp-Up Multilevel Lighting  | Yes           |

### ADDITIONAL FEATURES

|                                  |     |
|----------------------------------|-----|
| ENERGY STAR®                     | Yes |
| Sabbath Mode (Star-K® Certified) | Yes |

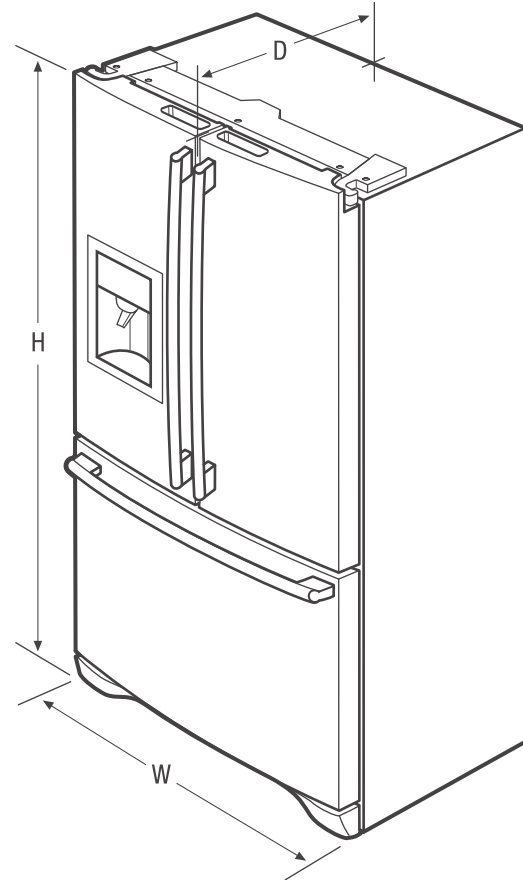
### SPECIFICATIONS

|   |                   |
|---|-------------------|
| Color –   |                   |
| Stainless Steel                                     | S                 |
| Power Supply Connection Location                    | Right Bottom Rear |
| Water Inlet Location                                | Left Bottom Rear  |
| Voltage Rating                                      | 120V / 60 Hz      |
| Connected Load (kW Rating) @ 120 Volts <sup>2</sup> | 1.02              |
| Minimum Circuit Required (Amps)                     | 15                |
| Shipping Weight (Approx.)                           | 350 Lbs.          |

<sup>2</sup> An electrical supply with grounded three-prong receptacle is required. The power supply circuit must be installed in accordance with current edition of National Electrical Code (NFPA 70) and local codes & ordinances.

NOTE: Always consult local and national electric and plumbing codes. Refer to Product Installation Guide for detailed installation instructions on the web at [electroluxappliances.com](http://electroluxappliances.com).

Specifications subject to change.



### PRODUCT DIMENSIONS

|                              |         |
|------------------------------|---------|
| Height (Including Door)      | 70-1/8" |
| Width                        | 36"     |
| Depth (Including Door)       | 28-1/2" |
| (with Door 90° Open)         | 42-1/2" |
| (with Drawer Fully Extended) | 46"     |

## Electrolux Major Appliances, N.A.

USA • 10200 David Taylor Drive • Charlotte, NC 28262 • 1-877-4electrolux (1-877-435-3287) • [electroluxappliances.com](http://electroluxappliances.com)  
 CANADA • 5855 Terry Fox Way • Mississauga, ON L5V 3E4 • 1-800-265-8352 • [electroluxappliances.ca](http://electroluxappliances.ca)

EI23BC37S 02/18

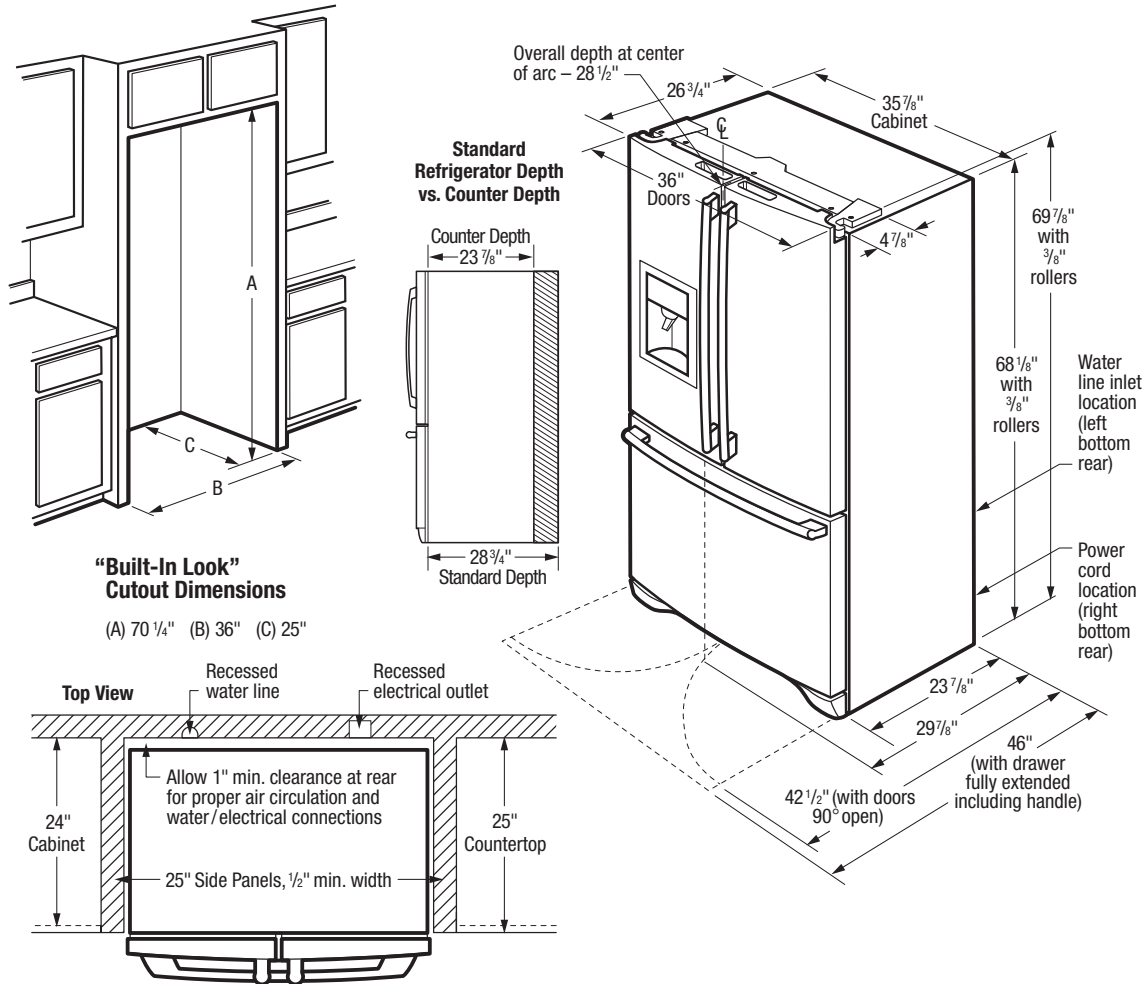
© 2018 Electrolux Home Products, Inc.



High standards of quality at Electrolux Home Products, Inc. mean we are constantly working to improve our products. We reserve the right to change specifications or discontinue models without notice.

# FRENCH DOOR REFRIGERATOR

EI23BC37SS



## Counter-Depth French Door Refrigerator Specifications

- Product Weight – 342 Lbs.
- An electrical supply with grounded three-prong receptacle is required. The power supply circuit must be installed in accordance with current edition of National Electrical Code (NFPA 70) and local codes & ordinances.
- Voltage Rating – 120V/60 Hz
- Connected Load (kW Rating) @ 120 Volts = 1.02 kW
- Amps @ 120 Volts = 15 Amps
- Always consult local and national electric & plumbing codes.
- Floor should be level surface of hard material, capable of supporting fully loaded refrigerator.
- When installing refrigerator adjacent to wall, cabinet or other appliance that extends beyond front edge of unit, 20" minimum clearance recommended to allow for optimum 120° to 180° door swing, providing complete drawer/crisper access and removal. (*Absolute 4-1/2" minimum clearance will ONLY allow for 90° door swing which will provide drawer/crisper access with restricted removal.*)
- To ensure optimum performance, avoid installing in direct sunlight or close proximity to range, dishwasher or other heat source.

- For proper ventilation, front grille **MUST** remain unobstructed.
- Recess electrical outlet when possible.
- Water recess on rear wall recommended to prevent water line damage.
- Water Pressure – Cold water line must provide between 30 and 100 pounds per square inch (psi).
- Copper tubing with 1/4" O.D. recommended for water supply line with length equal to distance from rear of unit to household water supply line plus 7 additional feet. Optional Water Supply Installation Kits available.
- Adjustable front rollers to assist with door alignment.

## "Built-In Look" Specifications

- Minimum opening of 70-1/4" H x 36" W x 25" D required to allow for ease of installation, proper air circulation, and plumbing/electrical connections.
- Remove all wall/floor molding prior to installation.

**Note:** For planning purposes only. Refer to Product Installation Guide on the web at [electroluxappliances.com](http://electroluxappliances.com) for detailed instructions.

## Optional Accessories

- Ice Maker Kit – (PN# IMK0023A).

## Electrolux Major Appliances, N.A.

USA • 10200 David Taylor Drive • Charlotte, NC 28262 • 1-877-4electrolux (1-877-435-3287) • [electroluxappliances.com](http://electroluxappliances.com)  
 CANADA • 5855 Terry Fox Way • Mississauga, ON L5V 3E4 • 1-800-265-8352 • [electroluxappliances.ca](http://electroluxappliances.ca)

EI23BC37S 02/18

© 2018 Electrolux Home Products, Inc.



High standards of quality at Electrolux Home Products, Inc. mean we are constantly working to improve our products. We reserve the right to change specifications or discontinue models without notice.