

FRIGIDAIRE[®]

All about the

Use & Care

of your Household Blender



TABLE OF CONTENTS

Important Safeguards	2	Tips for Best Use	7
Parts and Features	3	Problem Solving	8
Prior to Using your Blender	4	Warranty Information	9
How to Assemble Your Blender	4	Spanish User's Manual	10-18
Using your Blender	5	French User's Manual	19-27
Cleaning Your Blender	6		

IMPORTANT SAFEGUARDS

When using electrical appliances, basic safety precautions should always be followed, including the following:

1. Read all instructions.
2. Avoid contact with moving parts.
3. To protect against electric shock, do not place cord, plugs, or appliance in water or other liquid.
4. Close supervision is necessary when any appliance is used by or near children.
5. Unplug from outlet when not in use, before putting on or taking off parts, and before cleaning.
6. Do not operate any appliance with a damaged cord or plug, or after the appliance malfunctions, or is dropped or damaged in any manner. Return the appliance to the nearest authorized service center for inspection, repair, or electrical or mechanical adjustment.
7. Do not use outdoors.
8. Do not let cord touch hot surfaces, including the stove, or hang over edge of table or counter where it can be pulled on by children or tripped over unintentionally.
9. Do not place on or near a hot gas or electric burner, or in a heated oven or in a microwave oven.
10. Do not use this appliance for any purpose other than its intended use.
11. Do not submerge the motor unit in water or liquids, to avoid possible electrical shock.
12. The use of attachments including canning jar not recommended or sold by the manufacturer may cause fire, electrical shock, or injury.
13. Place the blender on a dry, even surface.
14. To disconnect blender, press the OFF button to be sure the unit is turned off. Then unplug by grasping the plug and pulling out from the wall outlet. Never unplug by pulling on the cord.
15. Always use your blender with the lid in place.
16. Do not remove the jar from the motor unit while the unit is running.
17. **BLADES ARE SHARP. HANDLE CAREFULLY.**
18. Keep hands and utensils out of container while blending to reduce the risk of severe injury to persons or damage to the blender. A scraper may be used but must be used only when the blender is not running.
19. Never leave blender unattended while it is running.
20. Before using the unit for the first time, wash the blender jar, cutting assembly, locking ring, and lid.
21. Do not place boiling or hot liquids in the jar. Allow liquids to cool before placing in the jar.
22. Do not place the unit near any hot surface, range or electrical burners, or where it could touch any other source of heat.
23. Add liquid ingredients to the jar first; then add dry ingredients to get uniformly mixed.
24. When mixture is heavy or thick, blend for 10 seconds and turn off the unit. Stir the mixture before continuing blending.
25. To reduce the risk of injury, never place cutter-assembly blades on base without jar property attached.

SAVE THESE INSTRUCTIONS

Consumer Safety Information

THIS UNIT IS FOR HOUSEHOLD USE ONLY.

Polarized Plug

This appliance has a polarized plug (one blade is wider than the other). To reduce the risk of electric shock, this plug will fit in a polarized outlet only one way. If the plug does not fit fully into the outlet, reverse the plug and reinsert. If it still does not fit, contact a qualified electrician. Do not modify the plug in any way.

CAUTION

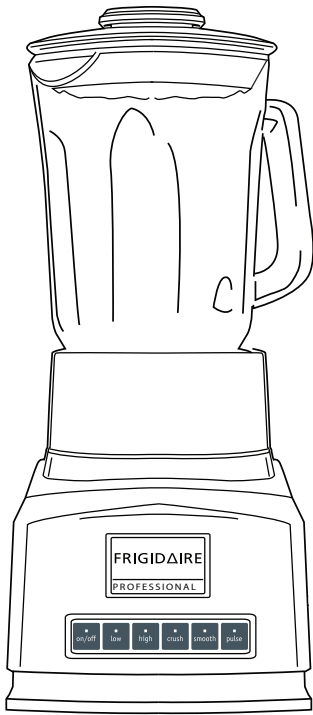
Short cord Instructions: Your blender appliance is equipped with a short power supply cord as a safety precaution to prevent personal injury or property damage resulting from pulling, tripping or becoming entangled with a longer cord. Do not allow children to use or be near this appliance without close adult supervision. An extension cord is available and may be used if care is exercised in its use. If an extension cord is used, (1) the marked electrical rating of the cord set or extension cord should be at least as great as the electrical rating of the appliance, (2) the cord should be arranged so that it will not drape over the countertop or tabletop where it can be pulled on by children or tripped over unintentionally, (3) If the appliance is of the grounded type, the extension cord should be a grounding 3-wire cord.

WARNING

Electrical Shock Hazard

Plug the unit into a properly grounded electrical outlet. Failure to follow these instructions can result in death, fire, or electrical shock.

PARTS AND FEATURES



56-Ounce Jar

Your Household Blender comes with a 56-ounce glass jar. This generous-sized jar will handle the blending needs for all your favorite recipes, from chopping nuts to mixing salad dressings to pureeing baby food, and much more.

Pouring Insert

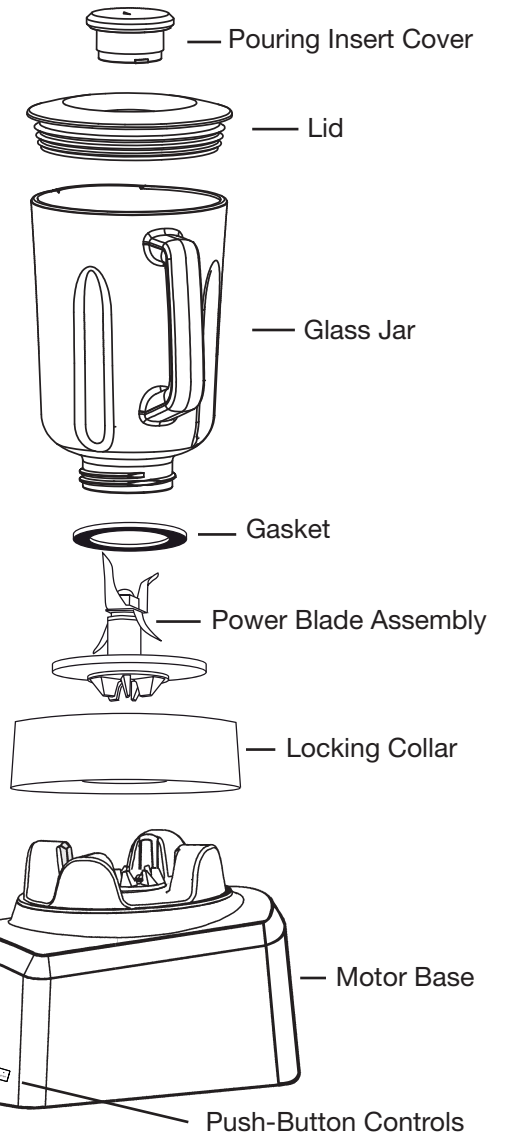
This feature allows you to add ingredients to the jar without removing the lid. Just lift off the pouring insert cover to pour or stream in liquids or drop in dry ingredients while blending.

Automatic 'Off' Feature

Your blender is equipped with an automatic shut-off feature. If the blender control button is left 'On' but the blender is not operated for 30 minutes, the blender will automatically turn off. In the event you forget to turn the appliance off and unplug it after using, this feature will prevent unnecessary power usage.

2 Speeds, 3 Special Functions

'High' and 'Low' settings allow you to blend ingredients at the desired speed. Your blender also includes three special functions – Pulse, Smoothie, and Crush Ice – with each function pre-set to the appropriate speed for these specialized jobs.



Electrical Power

If the electric circuit is overloaded with other appliances, your appliance may not operate properly. It should be operated on a separate electric circuit from other appliances.

Product Specifications

Model Number	FPJB56B7MS
Volts	120V AC only
Rated Wattage	600 watts
Hertz	60 HZ
Dimensions	Width 7 1/16 in. (17.9 cm) Depth 9 in. (22.9 cm) Height 16 1/4 in. (41.4 cm)
Capacity	56 ounces (1650 ml)

PRIOR TO USING YOUR BLENDER

CAUTION

Unpack carefully. **Blades are very sharp!**

1. Carefully unpack the contents from the box. Check to make sure all pieces (as shown on page 3) are accounted for and that the blender appears to be free of any physical damage. If you discover any damage or missing parts, please contact our customer service department at 1-888-845-7330 prior to plugging in the unit.
2. Remove any printed material or tape from the blender. Inspect the jar to be sure there are no packaging materials or foreign materials inside.
3. After inspection, place the blender motor base upright on a countertop or table.
4. Before using, wash the lid, pouring insert cover, glass jar, gasket, and power blade assembly in warm soapy water or in a dishwasher. (To disassemble, see instructions on page 6.) Dry thoroughly.
5. Wipe the motor base with a damp cloth.
6. Assemble the blender following the instruction on this page.

HOW TO ASSEMBLE YOUR BLENDER

CAUTION

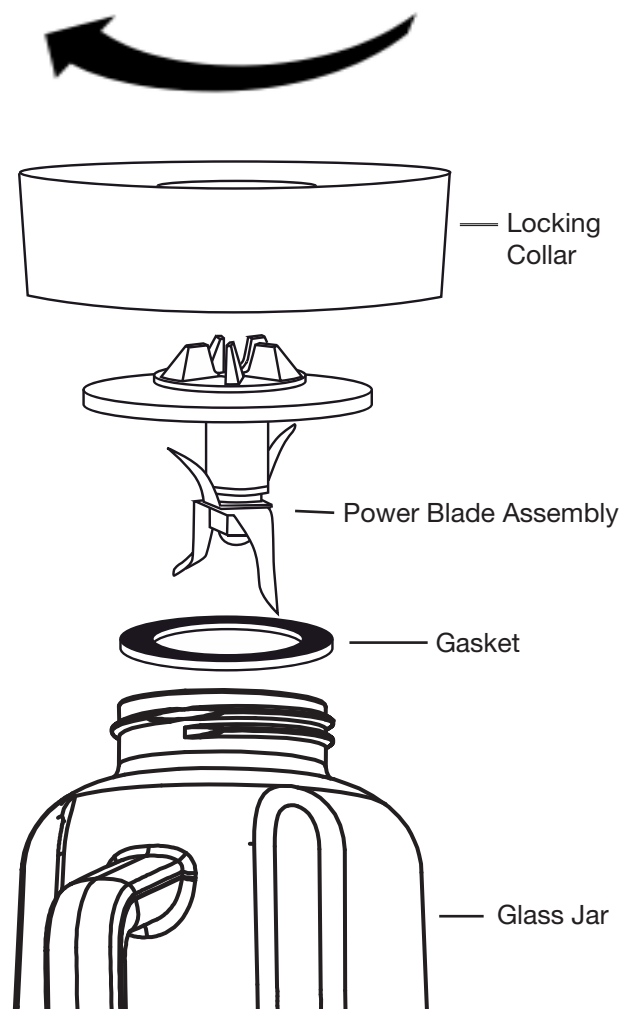
Blades are very sharp.

When handling the power blade assembly, hold assembly by its base. Avoid handling blades with your fingers.

1. Place the motor base on a flat, dry surface.
2. Assure that the motor is turned off and the power cord is unplugged.
3. Turn the glass jar upside down on a flat, sturdy surface.
4. Place the gasket over the jar bottom opening.
5. Insert the power blade assembly into the jar opening.
6. Place the locking collar on top of the blade assembly and twist clockwise to lock firmly.
7. Turn the jar upright and place it on the motor base.
8. Place the lid on top of the jar. Insert the pouring insert cover into the blender lid and turn until it locks.
9. Plug the power cord into a 120-volt outlet. Your blender is now ready to use.

CAUTION

Add food or liquid while the blender is running *only* by lifting the pouring insert cover and dropping in the ingredients. Never remove the lid while blender is running.



To Use Your Blender

- Place food in blender jar, being careful not to overfill.
- Press the ON/OFF button. The clear LED indicator light will illuminate, indicating that the blender is turned on but no speed has been selected.
- Press the 'Low' or 'High' button to select your desired processing speed, or choose one of 3 special functions.

Choosing Speed

Steps

1. Press ON/OFF. Light will indicate the blender is on.
2. Press the desired speed. Light will indicate the speed selected.
3. To pause, press the speed button again. The unit will stop blending and remain on in standby mode.
4. Press the speed button again to resume blending.
5. When finished, press ON/OFF to turn off the blender. Light will go off.

Press



Tip: You can change the speed while the blender is running without turning the unit off. Just press the selected speed to pause; then press another speed to resume blending.

When Finished Blending

- Turn the unit off and unplug from electrical outlet.
- Lift the jar *straight up* and off the motor base – do not twist the jar or locking collar when removing from the motor base.
- After cleaning, store the jar upright, in or alongside the motor base, with the lid and pouring insert cover in place. Do not place other items on top of stored blender.



CAUTION

Do not blend above maximum capacity.

When using the blender with the jar filled at or near or maximum capacity, rest your hand on the blender lid to stabilize it. This will help avoid any movement or displacement while blending.

Pulse Function

Use the 'Pulse' button when you need a short burst of power. This function is useful for chopping nuts, for breaking up large pieces of food, or for foods that require minimal blending.

Steps

1. Press ON/OFF. Light will indicate the blender is on.
2. Press 'Pulse.' Light will indicate the function selected.
3. Press ON/OFF to turn off the blender. Light will go off.

Press



Smoothie Function

This function lets you prepare your favorite smoothie effortlessly. Using this function will give you a burst of power to get the ice crushed and your smoothie blended to the desired consistency.

Steps

1. Press ON/OFF. Light will indicate the blender is on.
2. Press 'Smooth.' Light will indicate the function selected.
3. When you get the consistency desired, press ON/OFF to turn off the blender. Light will go off.

Press



Crush Ice Function

This function lets you crush ice without adding liquid. It works in a 'pulse' mode, giving the burst of power to crush ice as desired. Load ice cubes in the blender jar and process until ice is crushed to desired fineness. For best results, work in small batches.

Steps

1. Press ON/OFF. Light will indicate the blender is on.
2. Press 'Crush.' Light will indicate the function selected.
3. When finished, press ON/OFF to turn off the blender. Light will go off.

Press

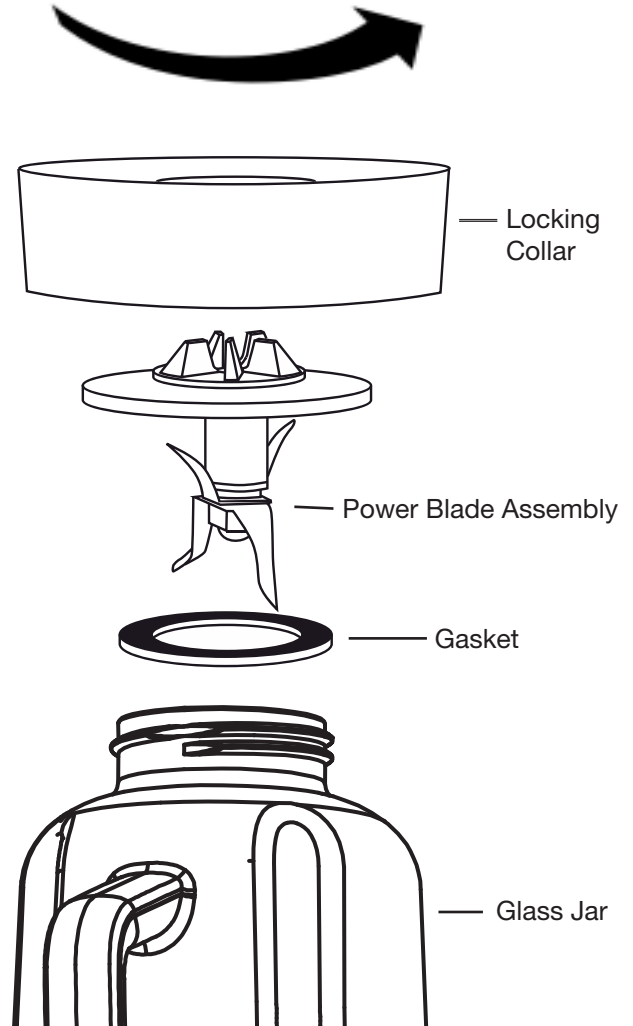


CLEANING YOUR BLENDER

➔ IMPORTANT

Unplug the blender from electrical outlet before cleaning.

- To disassemble, empty the jar and turn upside down. Turn locking collar counter-clockwise to unlock. Lift of locking collar, power blade assembly and gasket.
- **Handle the power blade assembly carefully.** It is SHARP and may cause injury. Do not attempt to remove blades from cutting assembly.
- Wipe the motor base with a soft damp cloth and dry it thoroughly.
- Wipe the power cord with a damp cloth.
- Wash the jar, lid, pouring insert cover, gasket, blade assembly and locking collar in warm soapy water. If there are any stubborn foods, use a brush to free residual food. Rinse all parts and dry thoroughly.
- If you desire, the jar can be washed using the dishwasher on a normal cycle, in upside-down position. Lid, pouring insert cover, gasket, power blade assembly and locking collar are also top-rack dishwasher-safe.
- You may also wash the power blade assembly by adding 1 cup of warm soapy water to blender jar. Operate on 'Low' speed for 30 seconds. Empty jar. Add clear warm water and operate another 30 seconds to rinse. Carefully disassemble parts, rinse in clear warm water and dry thoroughly.
- For stubborn or strong stains and odors: Soak the jar and lid for 5 minutes in a detergent solution. Rinse with clear warm water and dry thoroughly.



⚠ CAUTION

Never submerge the motor base in water or another liquid. Never place the motor base in a dishwasher. The motor base is designed to be resistant to liquids, but must not be submerged in water.



⚠ CAUTION

- Never use scouring pads or abrasive cleaners on the motor base, as this can scratch or damage the finish.
- Do not use bleach solutions to clean the motor base, as bleach can damage the stainless steel finish.



TIPS FOR BEST USE

DO:

- Use 'Low' button for drinks or cocktails, mayonnaise, dressings, marinades, and any food which needs to get batters with consistency.
- Use 'High' button for pureeing soups or liquefying any food.
- Use 'Pulse' button to get a quick burst of power for a short period of time, such as for chopping onions, nuts or grains.
- Use 'Crush' button to crush ice. For best results, work in small batches.
- For even results, cut foods into 1/2- to 1-inch cubes before processing.
- For uniformly mixed ingredients, add liquids to the jar first; then add remaining solid ingredients.
- Remove the pouring insert cover to add ingredients without interrupting blender operation. Put the pouring insert cover back in place after ingredients have been added.
- Operate the blender with the lid on.
- Make sure the locking collar is tightly attached to the jar before operating blender.
- Remove locking collar and power blade assembly before cleaning.
- When blending thick mixtures, turn blender off to scrape sides of the blender with a spatula.
- When chopping dry foods such as fresh herbs or bread crumbs, make sure the jar and power blade assembly are completely dry.
- If food sticks to the sides of the blender jar, use the 'Pulse' button to work in short bursts.

DO NOT:

- Do not blend heavy mixtures for longer than 1 minute. Press the speed button (Low or High) to pause and allow mixture to rest; then press again to restart.
- Do not use blender jar as storage for liquids or mixtures.
- Do not use your blender without the lid on tightly. If you need to add ingredients, remove the pouring insert cover and pour or drop in ingredients. Replace pouring insert cover after adding ingredients.
- Do not place very hot or boiling liquids in the jar. Allow food to cool before placing in the jar.
- Do not remove the jar while the motor is running.
- Do not use the blender to knead dough, mash potatoes, or create meringues with egg whites. The blender is not designed for these tasks.
- Do not overload the blender. This can cause the motor to stall.
- Do not over-blend your food. Most desired results are obtained in a few seconds.
- Do not use any utensil inside the jar while blender is running.
- Do not remove locking collar while the jar is on the motor base. Remove jar from the base and twist counter-clockwise to remove the locking collar.
- Do not use any accessories not recommended by the manufacturer. This could result in injury.
- Do not place hands inside the blender when the blender is plugged into an outlet.

PROBLEM SOLVING

Problem	Solutions
Blender does not turn on.	<ul style="list-style-type: none">• Check to be sure the power plug is securely inserted into the outlet.• Make sure the ON/OFF pad is illuminated. If not, press ON/OFF to turn blender on.• Touch the desired speed.• If blender still does not turn on, check for a blown fuse or reset the circuit breaker.
Food is spattering outside the jar.	<ul style="list-style-type: none">• Be sure the lid is on the jar securely before blending.• Operate the blender on low setting while you remove the pouring insert cover to add new ingredients.• Do not overload the jar. If the jar is too full, turn the blender off and remove some of the mix.
The motor base is bogging down.	<ul style="list-style-type: none">• Be sure the blender is not overloaded. If the jar is too full or mixture is very thick, turn off the blender, remove some of the mix, and re-start the process.• Cut foods into even-sized pieces, 1/2- to 1-inch cubes, before processing.• When using the 'Smooth' or 'Crush' setting, break any large chunks of ice into smaller pieces before adding to blender.
Blender jar is leaking at the bottom.	<ul style="list-style-type: none">• Be sure the gasket is in place between the jar and the power blade assembly.• Check the locking collar to be sure it is aligned properly and securely fastened to blender jar.

SMALL DOMESTIC APPLIANCE WARRANTY

Your appliance is covered by a one-year limited warranty. For one year from your original date of purchase, Electrolux will pay all costs for repairing or replacing any parts of this appliance that prove to be defective in materials or workmanship when such appliance is installed, used and maintained in accordance with the provided instructions.

Exclusions **This warranty does not cover the following:**

1. Products with original serial numbers that have been removed, altered or cannot be readily determined.
2. Product that has been transferred from its original owner to another party or removed outside the USA or Canada.
3. Rust on the interior or exterior of the unit.
4. Products purchased "as-is" are not covered by this warranty.
5. Food loss due to any refrigerator or freezer failures.
6. Products used in a commercial setting.
7. Service calls which do not involve malfunction or defects in materials or workmanship, or for appliances not in ordinary household use or used other than in accordance with the provided instructions.
8. Service calls to correct the installation of your appliance or to instruct you how to use your appliance.
9. Expenses for making the appliance accessible for servicing, such as removal of trim, cupboards, shelves, etc., which are not a part of the appliance when it is shipped from the factory.
10. Service calls to repair or replace appliance light bulbs, air filters, water filters, other consumables, or knobs, handles, or other cosmetic parts.
11. Surcharges including, but not limited to, any after hour, weekend, or holiday service calls, tolls, ferry trip charges, or mileage expense for service calls to remote areas, including the state of Alaska.
12. Damages to the finish of appliance or home incurred during installation, including but not limited to floors, cabinets, walls, etc.
13. Damages caused by: services performed by unauthorized service companies; use of parts other than genuine Electrolux parts or parts obtained from persons other than authorized service companies; or external causes such as abuse, misuse, inadequate power supply, accidents, fires, or acts of God.

DISCLAIMER OF IMPLIED WARRANTIES; LIMITATION OF REMEDIES

CUSTOMER'S SOLE AND EXCLUSIVE REMEDY UNDER THIS LIMITED WARRANTY SHALL BE PRODUCT REPAIR OR REPLACEMENT AS PROVIDED HEREIN. CLAIMS BASED ON IMPLIED WARRANTIES, INCLUDING WARRANTIES OF MERCHANTABILITY OR FITNESS FOR A PARTICULAR PURPOSE, ARE LIMITED TO ONE YEAR OR THE SHORTEST PERIOD ALLOWED BY LAW, BUT NOT LESS THAN ONE YEAR. ELECTROLUX SHALL NOT BE LIABLE FOR CONSEQUENTIAL OR INCIDENTAL DAMAGES SUCH AS PROPERTY DAMAGE AND INCIDENTAL EXPENSES RESULTING FROM ANY BREACH OF THIS WRITTEN LIMITED WARRANTY OR ANY IMPLIED WARRANTY. SOME STATES AND PROVINCES DO NOT ALLOW THE EXCLUSION OR LIMITATION OF INCIDENTAL OR CONSEQUENTIAL DAMAGES, OR LIMITATIONS ON THE DURATION OF IMPLIED WARRANTIES, SO THESE LIMITATIONS OR EXCLUSIONS MAY NOT APPLY TO YOU. THIS WRITTEN WARRANTY GIVES YOU SPECIFIC LEGAL RIGHTS. YOU MAY ALSO HAVE OTHER RIGHTS THAT VARY FROM STATE TO STATE.

If You Need Service

Keep your receipt, delivery slip, or some other appropriate payment record to establish the warranty period should service be required. If service is performed, it is in your best interest to obtain and keep all receipts. Service under this warranty must be obtained by contacting Electrolux at the addresses or phone numbers below.

This warranty only applies in the USA and Canada. In the USA, your appliance is warranted by Electrolux Major Appliances North America, a division of Electrolux Home Products, Inc. In Canada, your appliance is warranted by Electrolux Canada Corp. Electrolux authorizes no person to change or add to any obligations under this warranty. Obligations for service and parts under this warranty must be performed by Electrolux or an authorized service company. Product features or specifications as described or illustrated are subject to change without notice.

USA
1.888-845-7330
Electrolux Home Products, Inc.
10200 David Taylor Drive
Charlotte, NC 28262



Canada
1.888-845-7330
Electrolux Canada Corp.
5855 Terry Fox Way
Mississauga, Ontario, Canada
L5V 3E4
Printed in China