

# FRIGIDAIRE

GALLERY®



## Bottom Mount Refrigerators

FG2I2334N F/R<sup>1</sup>/P/E

23 Cu. Ft. Bottom Mount



### Signature Features



**Smudge-Proof™ Stainless Steel**  
Reduces fingerprints and smudges so it's easy to clean.



**SpaceWise® Organization System**  
Our SpaceWise® Organization System makes it easy to keep food organized and easy to find when you need it.



**Adjustable Door Bins**  
Adjustable door bins offer storage capacity and flexibility.



**Humidity-Controlled Crisper Drawers**  
Keep your fruits and vegetables fresh in our humidity-controlled crispers.

### Product Dimensions

Height (To Top of Door Arc Incl. Hinge/Rollers)	69-3/4"
Width (Doors)	33"
Depth (Incl. Door at Center of Arc)	33-7/8"

### More Easy-To-Use Features

#### SpillSafe® Shelves

Designed to keep spills contained, making cleanup a breeze.

#### Bright Lighting

Our bright lighting makes it easy to see what's inside.

#### PureAir Ultra® Filter

Keeps the air cleaner and fresher.

#### Store-More™ Sliding Freezer Basket

A large capacity full-width basket provides enough space to easily store anything with convenient access.

#### Cool Zone™ Drawer

Conveniently located in the fresh food compartment for easy access to sandwich foods.

#### SpaceSaver™ Freezer Shelf

#### Express-Select® Controls

Easily select options with the touch of a button.

#### ENERGY STAR®

#### Reversible Door<sup>2</sup>

Door can be installed to open left or right based on your needs.

#### Attractive Stainless Steel Exterior<sup>2</sup>

#### Clear Dairy Door

#### Available in Stainless Steel Left-Swing Door



ENERGY STAR®

Available in:



Stainless  
(F/R<sup>2</sup>)



Pearl  
(P)



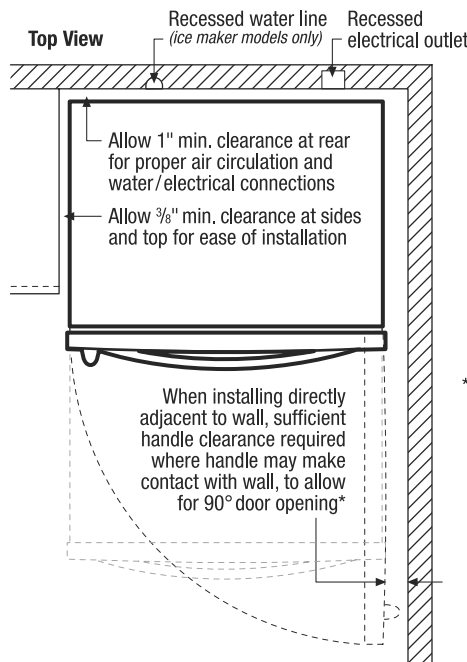
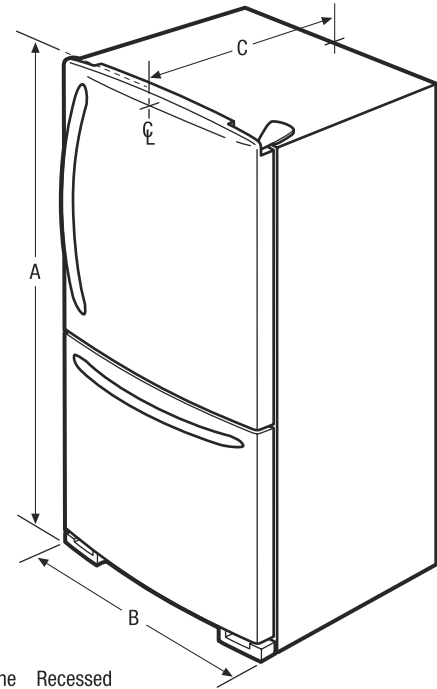
Ebony  
(E)

<sup>1</sup>Left-Swing Door.

<sup>2</sup>Select models only.

Features	
Door Design	Tall
Door Handle Design	Stainless Steel (F/R), Colour-Coordinated (P/E)
Cabinet Finish (Textured)	Grey (F/R), Colour-Coordinated (P/E)
Door Stops	Yes
Door Hinge Covers	Hidden
Door Reverse Option	No (F/R), Yes (P/E)
Reversible Door (Optional)	w/ Hinge Kit Required (P/E)
Left-Swing Door	Yes (R Model Only)
Rollers - Front/Rear	Adjustable/ Yes
Sound Package	
Toe Grille	Grey (F/R), Colour-Coordinated (P/E)
Refrigerator Features	
Controls	Express-Select*
Freeze Option	
Door Ajar Alert	
Interior Lighting	Bright
Air Filter Type	PureAir Ultra*
Refrigerator Shelves	2 Sliding and 2 Fixed SpillSafe™ Adjustable Glass
Cantilever Shelves	Yes
Cool Zone™ Drawer	1 Clear Hanging
Wine/ Can Rack	
Store-More™ Crisper Drawers	2 Clear
Humidity Controls	2
Dairy Compartment	Clear Dairy Door
Fixed Gallon Door Bins	1 Full-Width White
Door Racks	
Non-Slip Bin Liner	
Tall Bottle Retainers	
Adjustable Gallon Door Storage	4 Clear
Freezer Features	
Freezer Access	Drawer
Door Bins	
Door Racks	
Freezer Shelves	1 SpaceSaver™
Store-More™ Lower Basket	Deep Wire
Middle Basket	
Upper Basket	Half-Width
Factory Ice Maker w/ Large Ice Bin	Automatic
Lighting	Yes
Certifications	
ENERGY STAR®	Yes
Specifications	
Total Capacity (Cu. Ft.)	22.8
Refrigerator Capacity (Cu. Ft.)	16.3
Freezer Capacity (Cu. Ft.)	6.5
Power Supply Connection Location	Right Bottom Rear
Water Inlet Connection Location	Right Bottom Rear
Voltage Rating	120V / 60Hz / 15 or 20A
Connected Load (kW rating) @ 120 Volts <sup>1</sup>	1.39
Amps @ 120 Volts	11.6
Minimum Circuit Required (Amps)	15
Shipping Weight (Approx.)	309 Lbs.

<sup>1</sup>For use on adequately wired 120V, dedicated circuit having 2-wire service with a separate ground wire. Appliance must be grounded for safe operation.



NOTE: For planning purposes only. Always consult local and national electric and plumbing codes. Refer to Product Installation Guide for detailed installation instructions on the web at [frigidaire.ca](http://frigidaire.ca).



Product Dimensions	
A - Height (To Top of Door Arc Incl. Hinge/Rollers)	69-3/4"
B - Cabinet Width/Door Width	32-3/4" / 33"
C - Depth (Incl. Door at Center of Arc)	33-7/8"
Depth with Door Open 90°	59-3/4"

Accessories information available on the web at [frigidaire.ca](http://frigidaire.ca)