



All Freezer

FPUH19D7LF

19 Cu. Ft. Built-In



Shown with companion, All-Refrigerator model FPRH19D7LF and optional Double Louvered Trim Kit (TRIMKITEZ2).

Signature Features



SpaceWise® Organization System

Our SpaceWise® Organization system makes it easy to keep food organized and easy to find when you need it.



SpaceWise® Shelf

Full-width shelf can accommodate large items — up to 26" wide.



Smudge-Proof™ Stainless Steel

Reduces fingerprints and smudges so it's easy to clean.



SpaceWise® Storage Baskets

Two full-width storage baskets keep things organized and slide out for easy access.

Product Dimensions

Height (Including Door)	71-3/8"
Width	32"
Depth (Including Door)	26-1/2"

More Easy-To-Use Features

Automatic Alerts

Freezer alerts you if the door is left open or if temperature rises.

Bright Lighting

Our bright lighting makes it easy to see what's inside.

Pro-Select® Controls

Easily select options with the touch of a button.

PureAir Ultra® Filter

Keeps the air cleaner and fresher.

Built-In Trim Kit

Optional trim kit available in Stainless Steel for All-Refrigerator, All-Freezer or Side-by-Side configuration.

ENERGY STAR®

Sabbath Mode (Star-K® Certified)



Available in:



Stainless
(F)

Optional Trim Kits

Single Louvered Trim Kit (TRIMKITEZ1)

For single All-Refrigerator installation. Includes louvered top grille and vented, louvered toe kick, 2-9/16" H leveling system and side/top trim pieces.

Double Louvered Trim Kit (TRIMKITEZ2)

For All-Freezer / All-Refrigerator side-by-side installation. Includes full-width, louvered top grille and vented, louvered toe kick, two 2-9/16" H leveling systems, side/top trim pieces and hardware to tie the units together.

Features	
Door Design	Brushed Stainless Steel
Door Handle Design	Stainless Steel
Cabinet Finish	Grey
Door Hinge Covers	Hidden
Automatic Door Closer	Yes
Leveling System/Leveling Legs	Yes/2
Airflow Ports	Yes
Controls	
Controls	Pro-Select*
Location of Controls	Inside Cabinet, on Top
Temperature Display C°/F°	Yes
Lock/Light	Yes
Temp Failure Alerts (Audible & Duration)	Yes
Door Ajar Alert (Audible)	Yes
Power Failure Alert (Duration)	Yes
Air Filter/Air Filter Change Indicator Light	PureAir Ultra*/Yes
Freezer Features	
Refrigerator Shelves	2 SpaceWise® Adjustable Glass
Ice Maker	Yes
Ice Bin	Yes
Full-Width Mid-Level Basket	1 Wire
Full-Width Bottom Basket	1 Wire
Full-Width Gallon Door Bin	2
Half-Width Litre Bin	5 Clear
Tilt-Out Wire Shelf	
Soft Freeze™ Bin	
Lighting	Bright
Optional Accessories	
Single Louvered Trim Kit	PN # TRIMKITEZ1
Double Louvered Trim Kit	PN # TRIMKITEZ2
Certifications	
Sabbath Mode (Star-K® Certified)	Yes
ENERGY STAR®	Yes
Specifications	
Total Capacity (Cu. Ft.)	18.6
Shelf Area (Sq. Ft.)	20.9
Annual Energy (kWH)	651
Annual Energy Cost (.1065/kWH)	\$69
Power Supply Connection Location	Right Bottom Rear
Water Inlet Location	Left Bottom Rear
Voltage Rating	120V/60Hz/20A
Connected Load (kW rating) @ 115 Volts ¹	0.55
Amps @ 115 Volts	5
Minimum Circuit Required (Amps)	20
Shipping Weight (Approx.)	247 Lbs.

¹An electrical supply with grounded three-prong receptacle is required. The power supply circuit must be installed in accordance with local codes & ordinances.

Optional Trim Kits

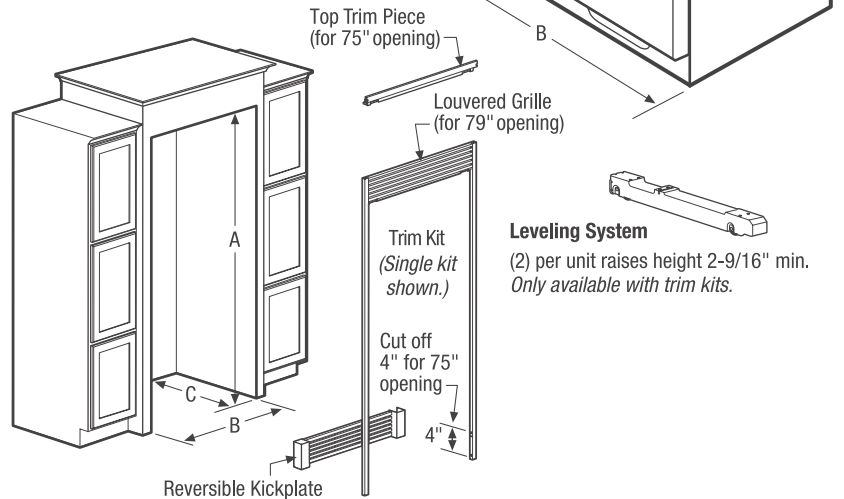
Kits include top and side trim pieces, louvered grille, reversible kickplate and leveling system to fit 75" or 79" opening height.

Single Louvered Trim Kit PN # TRIMKITEZ1

Double Louvered Trim Kit PN # TRIMKITEZ2

(Includes hardware to secure side-by-side units together.)

Note: Both kits attach directly to cabinetry through top trim piece or louvered grille to stabilize unit(s).



NOTE: For planning purposes only. Always consult local and national electric and plumbing codes. Refer to Product Installation Guide for detailed installation instructions.



Overall Exterior Dimensions	
A - Height (Incl. Door)	71-3/8"
B - Width	32"
C - Depth (Incl. Door)	26-1/2"
Depth with Door Open 90°	57-1/4"

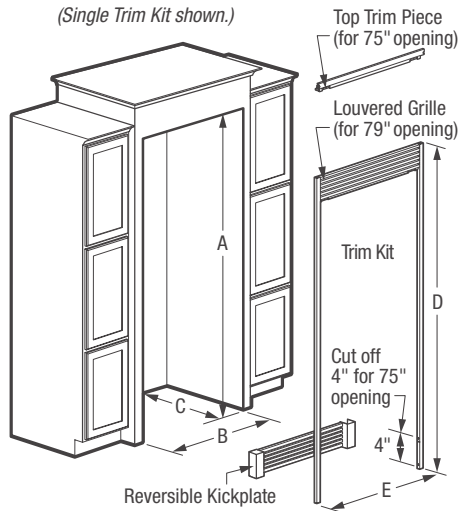
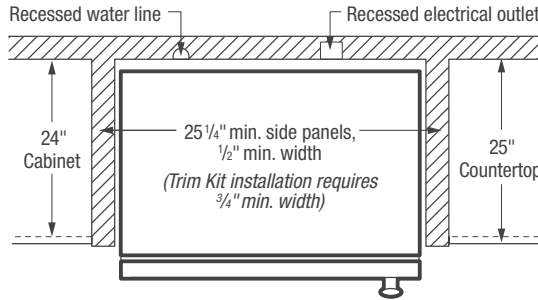
Built-In Cutout Dimensions	
Single Unit without Trim Kit -	
A - Height	72"
B - Width	33"
C - Depth	25-1/4" min. ¹
Single Unit with Trim Kit & Leveling System -	
A - Height	75" or 79"
B - Width	33"
C - Depth	25-1/4" min. ¹

Built-In Cutout Dimensions	
Double Unit² without Trim Kit -	
A - Height	72"
B - Width	66"
C - Depth	25-1/4" min. ¹
Double Unit² with Trim Kit & Leveling System -	
A - Height	75" or 79"
B - Width	66"
C - Depth	25-1/4" min. ¹

¹Minimum depth from face of cabinet side panels and requires recessed electrical outlet.

²Side-by-Side

Accessories information available on the web at frigidaire.ca



Optional Trim Kits & Dimensions

Kits include top and side trim pieces, louvered grille, reversible kickplate and leveling system to fit 75" or 79" opening height.

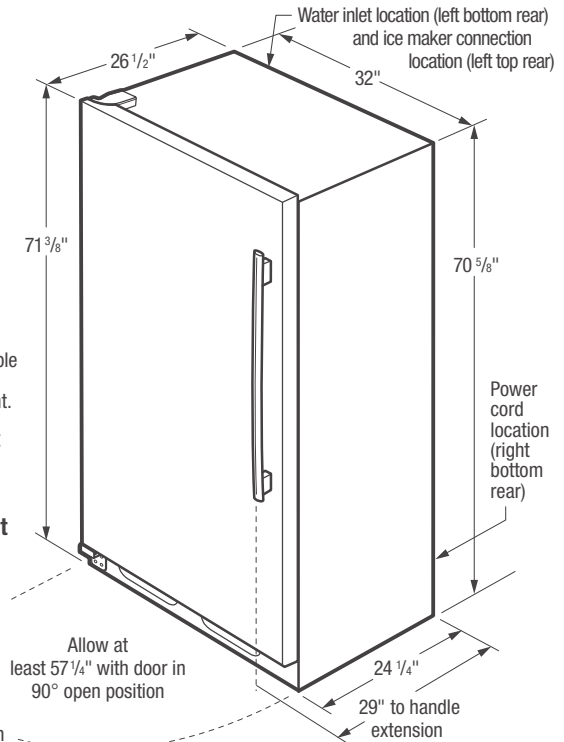
Single Louvered Trim Kit
PN# TRIMKITEZ1

(D) 75 1/8" or 79 1/8" (E) 34 3/4"

Double Louvered Trim Kit
PN# TRIMKITEZ2

(Includes hardware to secure side-by-side units together.)
(D) 75 1/8" or 79 1/8" (E) 67 1/8"

Note: Both kits attach directly to cabinetry through top trim piece or louvered grille to stabilize unit(s). Refer to detailed kit installation instructions packed with kit.



All-Freezer Cutout Dimensions

Built-In Installation (without Trim Kit)

Single Unit
(A) 72" (B) 33" (C) 25 1/4" min.*
Double Unit (Side-by-Side)
(A) 72" (B) 66" (C) 25 1/4" min.*

Built-In Installation (with Trim Kit & Leveling System)

Single Unit
(A) 75" or 79" (B) 33" (C) 25 1/4" min.*
Double Unit (Side-by-Side)
(A) 75" or 79" (B) 66" (C) 25 1/4" min.*

Leveling System

(2) per unit raises height 2-9/16" min.
Only available with trim kits.



*Minimum depth from face of cabinet side panels and requires recessed electrical outlet.

Built-In All-Freezer Specifications

- Product Weight - 247 Lbs.
- An electrical supply with grounded three-prong receptacle is required. The power supply circuit must be installed in accordance with local codes & ordinances.
- Voltage Rating - 120V / 60 Hz / 20 Amps
- Connected Load (kW Rating) @ 115 Volts = 0.55 kW
- Amps @ 115 Volts = 5 Amps
- Always consult local and national electric & plumbing codes.
- Water line for ice maker can enter opening through floor or rear wall. Copper tubing recommended between cold water line and water connection location. Water line tubing recommended is 48" minimum length by 1/4" diameter. Installation of easily accessible shutoff valve in water line required.
- Minimum 25-1/4" depth requires recessed electrical outlet and copper water line.
- To allow for ease of installation, tape excess power cord to back of unit.
- To allow for ease of moving out side-by-side units after installation, 84" minimum length of coiled copper tubing recommended.
- When installing freezer adjacent to wall, cabinet or other appliance that extends beyond front edge of unit, 20" minimum clearance recommended to allow for optimum 140° door swing, providing complete drawer / crisper access and removal. (Absolute 4" minimum clearance will ONLY allow for 90° door swing which will provide limited drawer / crisper access with restricted removal.)

- Freezer must be placed on level surface of hard material, same height as flooring. Surface must support approximately 800 lbs. when fully loaded. Unit equipped with 4-point leveling.

"Built-In Look" Specifications

- Minimum opening of 72" H x 33" W x 25-1/4" D required for single-unit "Built-In Look" installation; 66" W required for double-unit installation. (72" H to be measured from finished floor to underside of soffit or overhead cabinet.)
- Remove all wall / floor moulding prior to built-in installation.

Optional Trim Kit Specifications

- If optional Single or Double Louvered Trim Kit is to be used, different cutout dimensions are required. Kit can be adapted to fit either 75" or 79" opening height. (Refer to cutout dimensions on this page and detailed Louvered Trim Kit installation instructions included with kit.)
- Remove all wall / floor moulding prior to built-in installation.

Note: For planning purposes only. Refer to Product Installation Guide for detailed instructions.

Optional Accessories

- Single Louvered Trim Kit - (PN # TRIMKITEZ1).
- Double Louvered Trim Kit - (PN # TRIMKITEZ2).
- PureAdvantage® Air Filter Replacement Cartridge - (PN # 241754001).

