

## FFEF3003NW

### FREESTANDING RANGE

30" ELECTRIC



#### AVAILABLE COLORS



#### PRODUCT DIMENSIONS

Height (Max.)	47-3/4"
Width	29-7/8"
Depth (Incl. Handle)	29-1/4"

#### MORE EASY-TO-USE FEATURES

Manual Clean Oven

ELEMENTS	SIZE	WATTS
Right Front	6" Coil	1,250
Right Rear	8" Coil	2,100
Left Front	8" Coil	2,100
Left Rear	6" Coil	1,250

### SIGNATURE FEATURES

#### Ready-Select® Controls

Easily control your cooking temperature with our easy-to-use controls.

#### Store-More™ Storage Drawer

With the Store-More™ Storage Drawer, you will have extra space to store your cookware.

#### Built with American Pride

Designed, engineered and assembled in the U.S.A.

#### Hi/Lo Broil Options

Offers two-position broiling and variable temperature control for more control.

# FFEF3003NW FREESTANDING RANGE

30" ELECTRIC

FRIGIDAIRE

## FEATURES

Oven Control	Mechanical
Surface Type	White Porcelain
Exterior Door Finish	White
Handle Design	White
Exterior Finish (Side Panels)	White
Oven Cleaning System	Manual Clean
Drawer Functionality	Storage

## OVEN CONTROLS

Bake	Yes
Broil	Yes

## COOKTOP FEATURES

Right Front Element (Watts)	6" - 1,250
Right Rear Element (Watts)	8" - 2,100
Left Front Element (Watts)	8" - 2,100
Left Rear Element (Watts)	6" - 1,250
Element "On" Indicator Light	Yes
Coil Cooktop/Drip Bowls	Yes/Chrome

## OVEN FEATURES

Capacity (Cu.Ft.)	4.2
Rack Configuration	2 Standard
Baking System	Even Baking Technology
Broiling System	Standard
Bake Element/Broil Element (Watts)	2,600/3,000

## SPECIFICATIONS

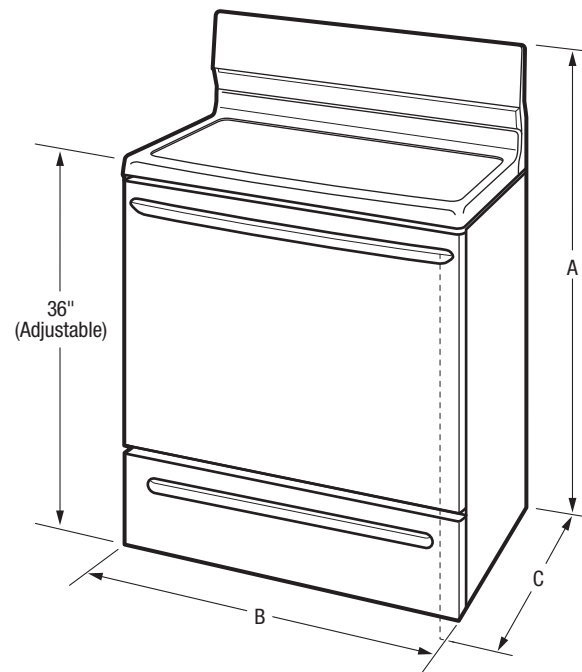
Oven Interior (H x W x D)	17" x 23" x 18-3/4"
Power Supply Connection Location	Middle Bottom Rear
Voltage Rating	240V/208V/60Hz
Connected Load (kW Rating) @ 240/208 Volts	10.0/7.5
Minimum Circuit Required (Amps)	40
Shipping Weight (Approx.)	144 Lbs.

## PRODUCT DIMENSIONS

A - Height (Max.)	45-3/16"
B - Width	29-7/8"
C - Depth (Incl. Handle)	29-1/4"
Depth with Door Open 90°	45"

## CABINET CUTOUT DIMENSIONS

Height (Standard)	36"
Width (Min.)	30"
Depth (Min.)	24"



36"  
(Adjustable)

A

B

C



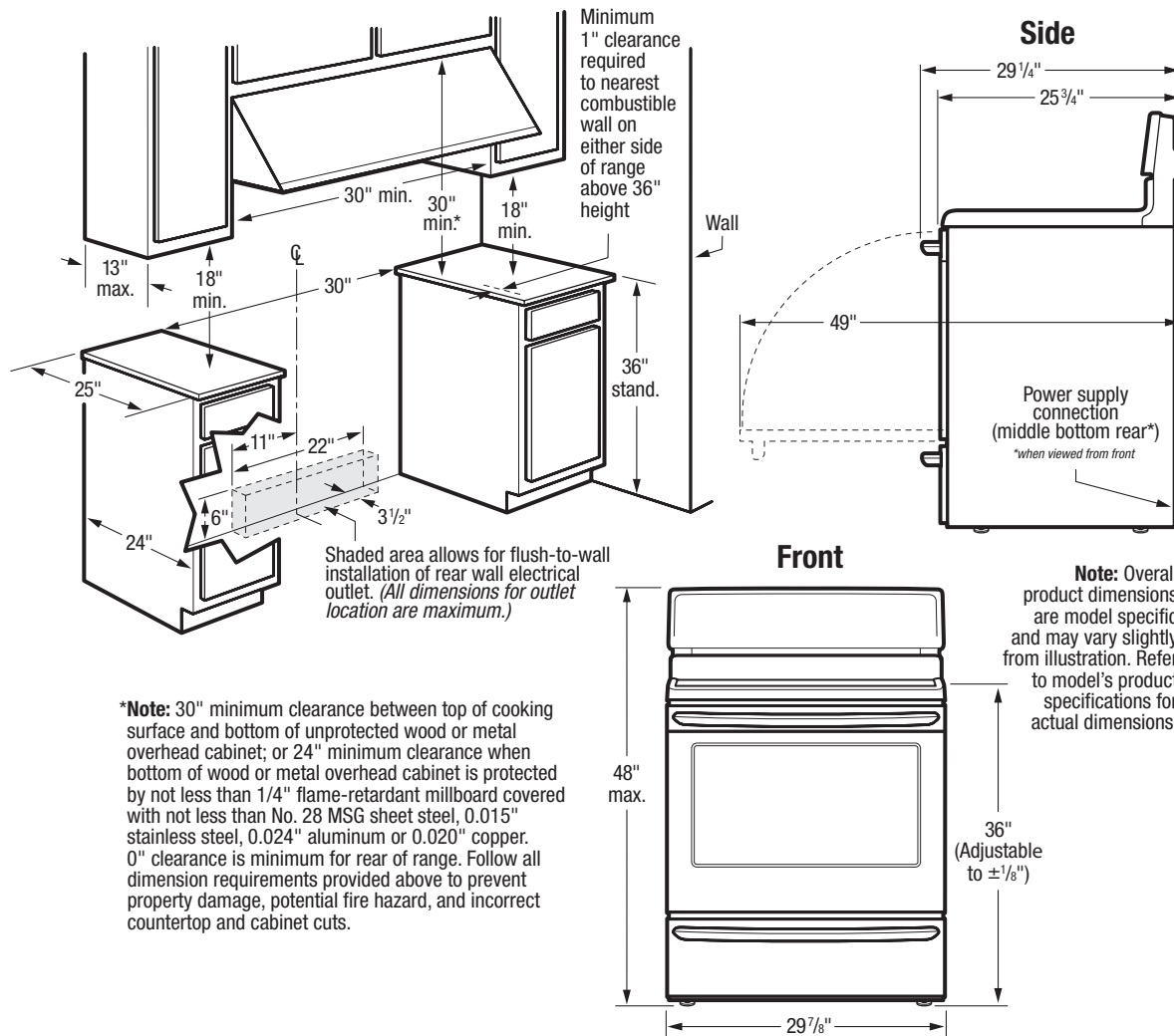
**Note:** For planning purposes only. Always consult local and national electric, gas and plumbing codes. Refer to Product Installation Guide for detailed installation instructions on the web at [frigidaire.com](http://frigidaire.com).

Specifications subject to change. Accessories information available on the web at [frigidaire.com](http://frigidaire.com)

FRIGIDAIRE

USA • 10200 David Taylor Drive • Charlotte, NC 28262 • 1-800-FRIGIDAIRE • [frigidaire.com](http://frigidaire.com)  
CANADA • 5855 Terry Fox Way • Mississauga, ON L5V 3E4 • 1-800-265-8352 • [frigidaire.ca](http://frigidaire.ca)

FFEF3003N 07/18  
© 2018 Electrolux Home Products, Inc.



## INSTALLATION SPECIFICATIONS

- Product Shipping Weight (approx.) - 144 Lbs.
- Single phase 3- or 4-wire cable, 120/240 or 120/208 Volt, 60 Hertz, fused on both sides of line with ground.
- Connected Load (kW Rating) @ 240/208 Volts = 10.0/7.5kW
- Recommended Circuit Breaker - 40 Amps
- Always consult local and national electric codes.
- Make sure wall coverings around range can withstand heat generated by range.
- Floor beneath range MUST be solid and level.
- Overhead cabinetry should not exceed a 13" maximum depth.
- Absolute minimum horizontal distance between overhead cabinets installed to either side of appliance must be no less than maximum width of appliance.
- Range can be installed flush to wall with 0" minimum rear clearance.
- Minimum 1" clearance required from edge of rangetop to nearest combustible wall on either side of range above 36" height.
- Allow 30" minimum clearance between top of cooking surface and bottom of unprotected wood or metal overhead cabinet; or 24" minimum clearance when bottom of wood or metal overhead cabinet is protected by not less than 1/4" flame retardant millboard covered with not less than No. 28 MSG sheet steel, 0.015" stainless steel, 0.024" aluminum or 0.020" copper.
- To reduce risk of fire when using overhead cabinetry, install range hood that projects horizontally a recommended minimum of 5" beyond bottom of cabinets.
- Follow all dimension requirements provided to prevent property damage, potential fire hazard, and incorrect countertop and cabinet cuts.

