



Side-by-Side Refrigerator

FFHS2612L S

26 Cu. Ft. Standard-Depth



Product Dimensions

Height (Including Hinges & Rollers)	69-3/8"
Width (Doors)	36"
Depth (Including Door)	31-3/4"

More Easy-To-Use Features

Store-More™ Gallon Door Bins
Door storage gives you room for larger items like a gallon of milk.

SpillSafe® Shelves
Designed to keep spills contained, making cleanup a breeze.

Energy Saver Plus Technology¹
Our refrigerator will automatically go into an energy-saving mode if not opened for 24 hours.

Ready-Select® Controls
Easily select options with the touch of a button.

Bright Lighting
Our bright lighting makes it easy to see what's inside.

Attractive Stainless Steel Exterior



ENERGY STAR®

Available in:



Stainless
(S)

¹If this refrigerator door is not opened for 24 hours AND the refrigerator system is set to the 12-hour defrost cycle, then the system automatically goes to a 96-hour compressor run time defrost cycle to conserve electricity.

Signature Features

Store-More™ Organization System

Our Store-More™ organization system includes gallon door, stacked drawer, and adjustable door bins to keep food organized and easy to find when you need it.

Store-More™ Crisper Drawers

Keep your fruits and vegetables fresh in our crisper drawers.

PureSource 3®

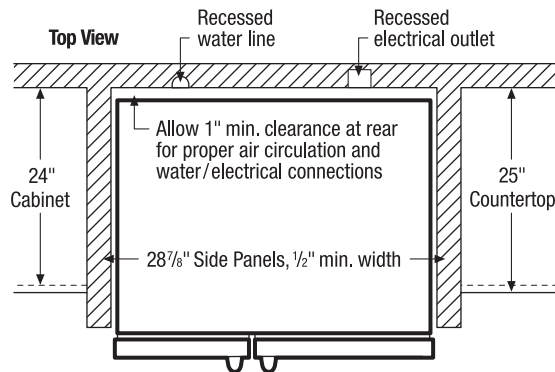
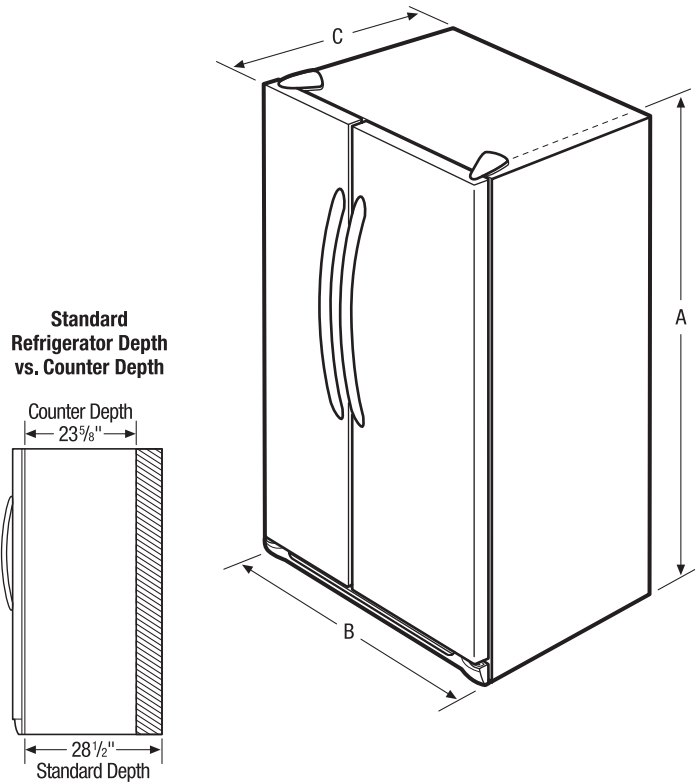
PureSource 3® Water Filtration gives you cleaner, better-tasting water at your fingertips.

Store-More™ Capacity

Our large capacity refrigerator gives you room to store more.

Features	
Door Design	UltraSoft™
Door Handle Design	Stainless
Cabinet Finish	Black
Door Stops/Door Closers	Yes/Yes
Door Hinge Covers	Black
Rollers - Front/Rear	Adjustable/Yes
Energy Saver Plus Technology	Yes
Water Filter Location	Top Right Rear
Sound Package	Quiet Pack
Dispenser	
Controls	Ready-Select®
Dispenser Design	Short, 2-Paddle
Number of Dispenser Buttons	4
Crushed Ice / Cube Ice / Chilled Water	Yes / Yes / Yes
Ice Option / Freeze Option	
Display On / Off Option	
Lock / Light	No / Yes
Temp / Door Ajar / Power Failure Alerts	
Water Filter Change Indicator Light	
Air Filter Change Indicator Light	
Refrigerator Features	
Interior Lighting	Bright
Water Filter Type	PureSource 3*
Air Filter Type	
Fixed Shelves	3 SpillSafe®
Sliding Shelves	
Cool Zone™ Drawer	
Wine / Can Rack	
Upper Crisper / Lower Crisper	1 Clear / 1 Clear
Humidity Controls	
Dairy Compartment	1 Clear
Fixed Door Bins	2 Two-Liter White
Adjustable Door Bins	2 One-Gallon White
Non-Slip Bin Liner / Bottle Retainers	
Condiment Bin	Yes
Freezer Features	
Door Bins / Tilt-Out Wire Door Bins	4 White / No
Fixed Shelves	1 Flip-Out / 2 Wire
Full Extension Baskets	
Full Freezer Baskets	1 Plastic
Half Freezer Baskets	
Ice Cream Shelf / Pizza Shelf	
SpaceSaver™ Shelf	
Lighting	Bright
Certifications	
ENERGY STAR®	Yes
Specifications	
Total Capacity (Cu. Ft.)	26
Refrigerator Capacity (Cu. Ft.)	16.5
Freezer Capacity (Cu. Ft.)	9.5
Power Supply Connection Location	Right Bottom Rear
Water Inlet Connection Location	Left Bottom Rear
Voltage Rating	120V / 60Hz / 15 or 20A
Connected Load (kW Rating) @ 120 Volts ¹	1.02
Amps @ 120 Volts	8.5
Minimum Circuit Required (Amps)	15
Shipping Weight (Approx.)	300 Lbs.

¹For use on adequately wired 120V, dedicated circuit having 2-wire service with a separate ground wire. Appliance must be grounded for safe operation.



NOTE: For planning purposes only. Always consult local and national electric and plumbing codes. Refer to Product Installation Guide for detailed installation instructions on the web at frigidaire.com.



Product Dimensions	
A - Height (Incl. Hinges and Rollers)	69-3/8"
B - Cabinet Width/Door Width	35-5/8" / 36"
C - Depth (Incl. Door)	31-3/4"
Depth with Door Open 90°	49-3/4"

Accessories information available on the web at frigidaire.com

Use these dimensions and clearance instructions for planning purposes only. For detailed installation instructions, refer to installation guide, packed with product, or on the web at frigidaire.com.



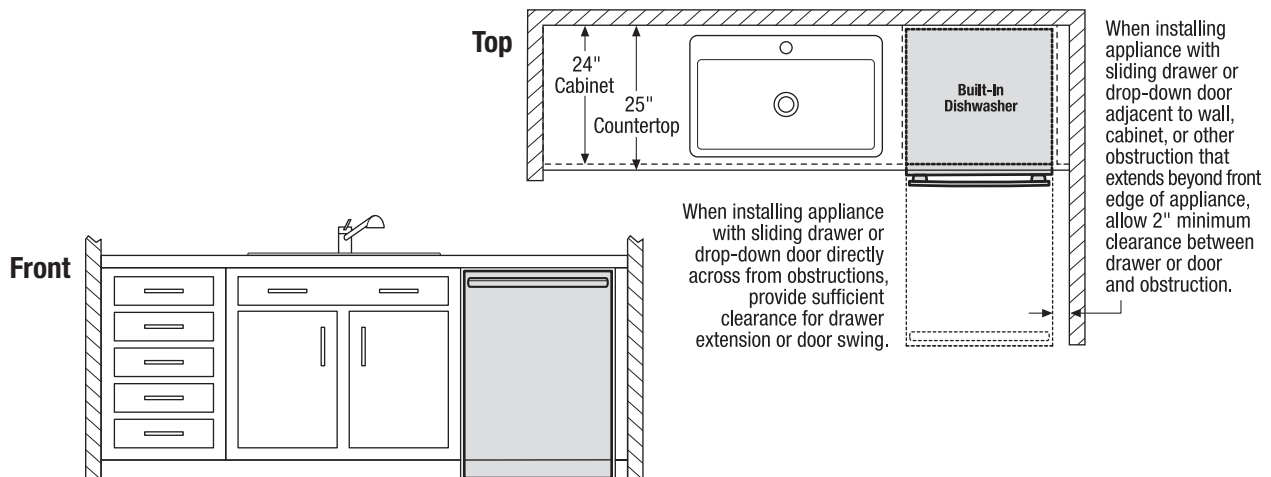
When installing appliances adjacent to each other, 20" minimum distance between each appliance required.

When installing built-in cooking appliances in combination, 2" minimum visible gap between appliance faceplates required.



When installing side-by-side refrigerator adjacent to wall, cabinet or another appliance that extends beyond front edge of unit, 20" minimum clearance recommended to allow for optimum 120° to 180° door swing, providing complete drawer/crisper access and removal.

When installing appliance with sliding drawer, swinging or drop-down door directly across from obstructions, provide sufficient clearance for drawer extension or door swings.



When installing appliance with sliding drawer or drop-down door directly across from obstructions, provide sufficient clearance for drawer extension or door swing.

When installing appliance with sliding drawer or drop-down door adjacent to wall, cabinet, or other obstruction that extends beyond front edge of appliance, allow 2" minimum clearance between drawer or door and obstruction.