

FRENCH DOOR REFRIGERATOR

EI23BC37SS

Featuring IQ-Touch™ Electronic Controls



PRODUCT DIMENSIONS

Height	69-7/8"
Width	36"
Depth	28-1/2"

MORE EASY-TO-USE FEATURES

ENERGY STAR®-CERTIFIED

Our products are rigorously tested to meet strict ENERGY STAR® guidelines.

IQ-TOUCH™ CONTROLS DISPLAY ALL YOUR OPTIONS

For those who like to have their options always visible, the IQ-Touch™ control panel displays all of your options, at all times.

SLIDING SPILLSAFE® GLASS SHELVES

Slide-out for easy access and are designed to keep spills contained, making them easy to clean.

LUXURY-DESIGN® LIGHTING

Our designer LED lighting ramps up and is as beautiful as it is functional.

LUXURY-GLIDE® FREEZER DRAWERS FOR EFFORTLESS ACCESS TO ITEMS

Access it all — our Luxury-Glide® Freezer drawers glide out smoothly and fully extend, letting you see every last item inside.

PUREADVANTAGE® FILTRATION SYSTEMS

Our filtration system keeps clean, filtered air circulated throughout and our 3M® water filter keeps fresh, clean water and ice at your fingertips.

STAY INFORMED WITH THE REFRIGERATION ALARM SYSTEM

Rest assured with our Refrigeration Alarm System, which alerts you to important changes, including power failures, an open door and elevated freezer temperatures.

FULL-EXTENSION FREEZER BASKETS

Baskets give you additional functional space to organize and store more.

SIGNATURE FEATURES



COOL ZONE™ KEEPS ITEMS READY TO SERVE

When you need to entertain on a whim, you can rely on our Cool Zone™, which keeps snacks and beverages perfectly chilled and ready to serve.



CRISPER DRAWERS KEEP FRUITS AND VEGGIES AT THEIR MOST DELICIOUS

Veggies and fruits retain their just-picked taste with our Adjustable Humidity-Controlled Crisper Drawers that lock in freshness longer.



COUNTER-DEPTH DESIGN

Gives you a sleek built-in look.



SELF-CLOSING DOORS GIVE YOU PEACE OF MIND

Maintain your desired temperature in the refrigerator while never worrying about accidentally leaving the door open.

Available in:



Stainless
(S)

FRENCH DOOR REFRIGERATOR

EI23BC37SS



23 CU. FT. COUNTER-DEPTH FRENCH DOOR REFRIGERATOR

CAPACITIES

Total Capacity	21.6 Cu. Ft.
Fresh Food Volume	14.82 Cu. Ft.
Freezer Volume	6.82 Cu. Ft.
Total Shelf Area	23.2 Sq. Ft.
Fresh Food Shelf Area	17.85 Sq. Ft.
Freezer Shelf Area	5.36 Sq. Ft.

EXTERIOR

Signature Soft-Arc Door and Handle Design	Yes
Electronic Controls	IQ-Touch™
Hidden Hinge Door Design	Yes
Ice/Water Dispenser	Yes
Perfect Set® Temperature Control System and Display	Yes
Crushed Ice / Cube Ice / Water	Yes / Yes / Yes
Air and Water Filter Indicator / Reset	Yes
Ice Maker On / Off	Yes
Fast Freeze™	
Lock / Dispenser Light Control	Yes / Yes

FRESH FOOD CONVENIENCES

PureAdvantage® Water & Ice	Yes
PureAdvantage® Air Filtration / Water Filter Location	Yes / Top Right
Temp Alarm System / Door Ajar Alarm	Yes / Yes
Power Failure Alarm	Yes
SpillSafe® Glass Shelves	Sliding
Humidity-Controlled Left Crisper	Luxury-Glide®
Humidity-Controlled Right Crisper	Luxury-Glide®
Perfect Temp® Drawer	
Cool Zone™ Drawer	Yes
Wine and Beverage Rack	
Dispenser Bin	Yes
Clear Gallon Door Bins (Adjustable)	1
Clear 2-Litre Door Bins (Removable)	1
Clear 1/2-Gallon Door Bins (Adjustable)	1
Clear Condiment Bin	1
Clear Dairy Door	1
Clear Tilt-Out Can Racks	2
Luxury-Design® LED Ramp-Up Multilevel Lighting	Yes
Automatic Ice Maker	Yes

FREEZER CONVENIENCES

Automatic Ice Maker (Second Ice Maker)	Optional
Luxury-Glide® Self-Closing Drawer	Yes
Sliding Freezer Baskets	Yes
Soft Freeze™ Bin / Wire Pizza Slot	No / Yes
Plastic Basket Tray	Yes
Luxury-Design® LED Ramp-Up Multilevel Lighting	Yes

ADDITIONAL FEATURES

ENERGY STAR®	Yes
Sabbath Mode (Star-K® Certified)	Yes

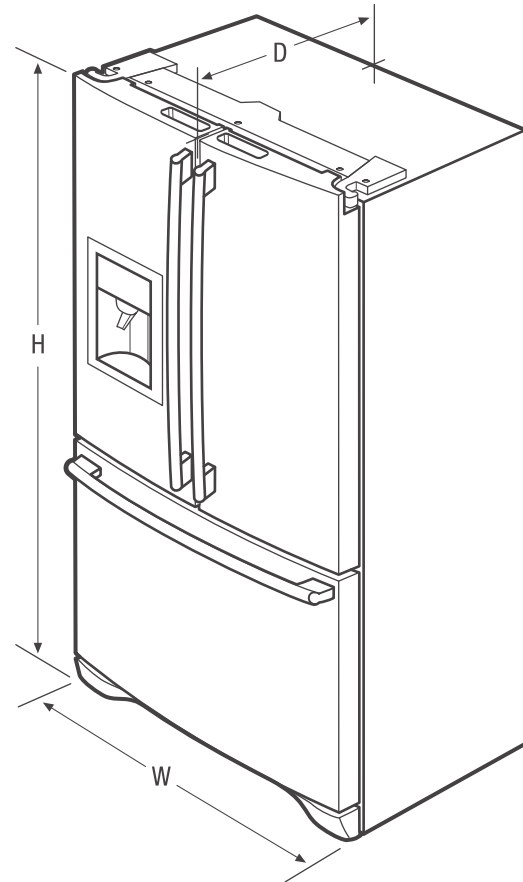
SPECIFICATIONS

Colour –	
Stainless Steel	S
Power Supply Connection Location	Right Bottom Rear
Water Inlet Location	Left Bottom Rear
Voltage Rating	120V / 60 Hz
Connected Load (kW Rating) @ 120 Volts ²	1.02
Minimum Circuit Required (Amps)	15
Shipping Weight (Approx.)	350 Lbs.

² An electrical supply with grounded three-prong receptacle is required. The power supply circuit must be installed in accordance with national and local codes & ordinances.

NOTE: Always consult local and national electric and plumbing codes. Refer to Product Installation Guide for detailed installation instructions on the web at electroluxappliances.ca.

Specifications subject to change.



PRODUCT DIMENSIONS

Height (Including Door)	70-1/8"
Width	36"
Depth (Including Door)	28-1/2"
(with Door 90° Open)	42-1/2"
(with Drawer Fully Extended)	46"

Electrolux Major Appliances, N.A.

CANADA • 5855 Terry Fox Way • Mississauga, ON L5V 3E4 • 1-800-265-8352 • electroluxappliances.ca

EI23BC37S 10/16

© 2016 Electrolux Major Appliances, N.A.



High standards of quality at Electrolux Home Products, Inc. mean we are constantly working to improve our products. We reserve the right to change specifications or discontinue models without notice.

Printed in Canada