

Downdraft Vent

E36DD75ESS



Slim Style

Designed to work in perfect harmony with your 36" gas or electric cooktop.



Infinite-Speed Blower Control

The ultraquiet blower allows you to dial in the precise airflow needed.



10"-High Intake

When activated, the downdraft vent rises 10" to capture even the most stubborn cooking odors. Can be vented through wall or roof.



Cleans Your Air Quietly

The strong, powerful performance of this 1600 CFM system matches your cooktop's output and aromas vanish into thin air. Blower is included with the downdraft vent.

36" DOWNDRAFT VENT

FEATURES

Nominal Width	36"
Installation Type	In-Cabinet
Controls	Electronic
Air Discharge	Down
Air Delivery (CFM)	1600
Intake Area	10"
Blower Type (Remote)*	External
Fan Speeds	Infinite Speed
Dishwasher-Safe Stainless Steel Filters	Yes
Exhaust Duct	External
Duct Required	3-1/4" x 10"

SPECIFICATIONS

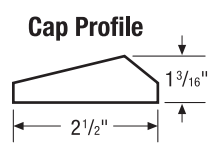
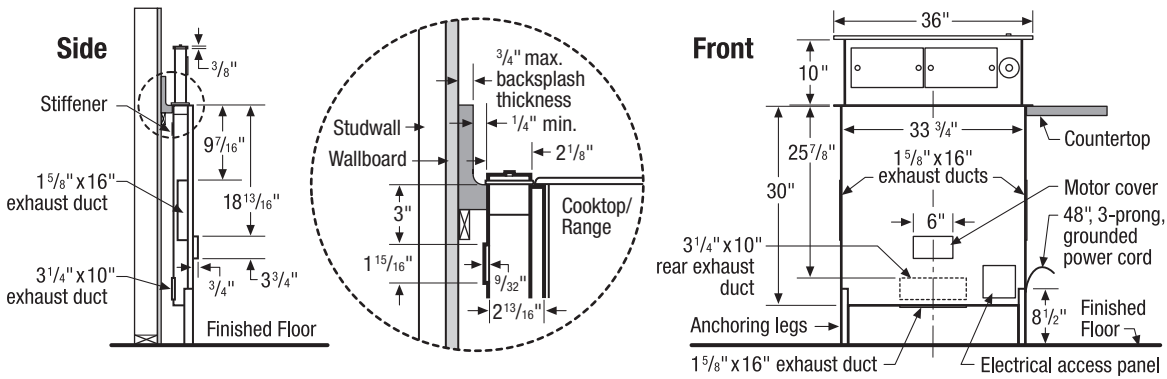
Product Dimensions –	
Height (Including 10" Rise)	40"
Width	36"
Depth	9-27/32"
Voltage Rating	120V/60Hz/15A or 20A
Connected Load (kW Rating) @ 120 Volts [‡]	1.0
Amps @ 120 Volts	8.0
Motor Power Cord Location	Bottom Right
Shipping Weight (Approx.)	55 Lbs.

[‡]For use on adequately wired 120V, dedicated circuit having 2-wire service with a separate ground wire. Appliance must be grounded for safe operation.

* Remote Exhaust Blower (PN# 5304444802) included with vent — shipped in separate box.

NOTE: Always consult local and national electric codes. Check local building codes for installation requirements, as they may vary per locale. Refer to Product Installation Guide for detailed installation instructions on the web at electroluxicon.ca.

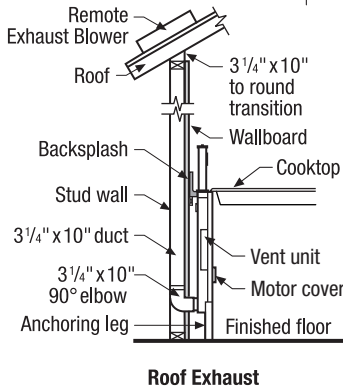
Specifications subject to change.



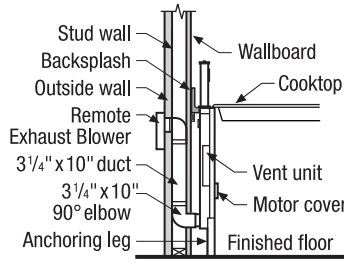
Specifications

For Use With	Duct Size
36" Cooktops	3 1/4" x 10"

Against-Wall Downdraft Installations



Roof Exhaust



Exterior Wall Exhaust

36" Downdraft Vent Specifications

- Voltage Rating – 120V/ 60Hz/ 15 or 20 Amps
- Connected Load (kW Rating) @ 120 Volts = 1.0kW (For use on adequately wired 120V, dedicated circuit having 2-wire service with a separate ground wire. Appliance must be grounded for safe operation.)
- Amps @ 120 Volts = 8.0 Amps
- Do not use same circuit as cooktop.
- Always consult local and national electric codes. Check local building codes for installation requirements, as they may vary per locale.
- Vent must be installed in vertical orientation only.
- Vent unit outside of building only.
- Exhaust Duct Required – 3-1/4" x 10" (3-1/4" x 10" to round transition duct will be needed)
- Do not use flexible duct. Round duct instead of rectangular duct recommended, especially when elbows are required.
- When multiple elbows are necessary, ensure a minimum of 24" of straight duct between any two elbows.
- Thermal breaks such as short section of nonmetallic duct, should be used in areas of extreme cold.
- For most efficient airflow exhaust, use a straight run or as few elbows as possible.
- Cold weather installations should have additional backdraft damper installed.

- Installing a Downdraft Vent in combination with any gas cooking surface will affect optimum burner efficiency.
- Downdraft Vents can NOT be used in combination with any cooktop backsplash.
- Downdraft Vent model E36DD75ESS is approved to be used in combination with Electrolux ICON® Drop-In Cooktop models E36EC65ESS, E36EC70FSS, E36IC75FSS, E36IC80ISS, E36GC70FSS, E36GC65ESS; and Electrolux ICON® Slide-In Cooktop models E36EC75DSS, E36EC75ESS, E36EC75HSS, E36GC75DSS, E36GC75ESS, E36GC75GSS, E36GC76EPS and E36GC76GPS. (For detailed countertop preparation, refer to Drop-In and Slide-In Cooktop/Downdraft Vent Countertop Preparation pages on web.)
- Proper combination installation of Electrolux ICON® Downdraft Vent model E36DD75ESS and approved 36" Gas Slide-In Cooktop will require cooktop power cord to be relocated to underside of unit. (For details, refer to 30" & 36" Gas Slide-In Cooktop Power Cord Relocation Instructions on web.)

Remote Exhaust Blower

- 1,600 CFM remote exhaust blower (PN# 5304444802) included with vent – shipped in separate box.
- Installation Options – roof or exterior wall mount for against-wall vent installation and under-floor mount for island vent installation.

Note: For planning purposes only. Refer to Product Installation Guide on the web at electroluxicon.ca for detailed instructions.

