

# French Door Refrigerator

## EI23BC80KS

Featuring IQ-Touch™ Electronic Controls



### Perfect Temp® Drawer

Features nine preset selections including White/Sparkling Wine, Fish/Shellfish, Snacks and Chilled Beer, plus three customizable “My Favourites,” giving you an array of choices to store or serve whatever you want at the ideal temperature.



### Most Usable Capacity<sup>1</sup>

Most usable space inside, same space on the outside, so you'll have space for everything from party platters and beverages to kids' snacks and juice boxes.



### IQ-Touch™ Controls Located on the Side of the Door

This IQ-Touch™ control panel displays your options at all times.



### Luxury-Design® Glass Shelves

All-glass shelves crafted for exceptional beauty and function.

## 23 CU. FT. COUNTER-DEPTH FRENCH DOOR REFRIGERATORS

### Capacities

Total Capacity	22.5 Cu. Ft.
Fresh Food Volume	15.62 Cu. Ft.
Freezer Volume	6.89 Cu. Ft.
Total Shelf Area	26.41 Sq. Ft.
Fresh Food Shelf Area	19.81 Sq. Ft.
Freezer Shelf Area	6.60 Sq. Ft.

### Exterior

Signature Soft-Arc Door and Handle Design	Yes
Electronic Controls	IQ-Touch™
Hidden Hinge Door Design	Yes

### Fresh Food Conveniences

Perfect Set® Temperature Control System and Display	Yes
PureAdvantage® Water & Ice	Yes
PureAdvantage® Air Filtration	Yes
Water Filter Location	Bottom Left
Temp Alarm System	Yes
Door Ajar Alarm	Yes
Power Failure Alarm	Yes
Glass Shelves	4 Luxury-Design® Lift-Off Half Width
Humidity-Controlled Left Crisper	Luxury-Close™
Humidity-Controlled Right Crisper	Luxury-Close™
Perfect Temp® Drawer	Luxury-Close™
Cool Zone™ Drawer	
Wine and Beverage Mat	Yes
Clear Gallon Door Bins (Adjustable)	2
Clear 2-Litre Door Bins (Adjustable/Removable)	2/0
1/2-Gallon Door Bins	
Clear Condiment Bin	2
Clear Dairy Door	
Tilt-Out Can Racks	2
Luxury-Design® LED Ramp-Up Multilevel Lighting	Yes

### Freezer Conveniences

Automatic Ice Maker	Yes
Ice Maker On/Off	Yes
Fast Ice™	Yes
Fast Freeze™	Yes
Self-Closing Drawer	Yes
Sliding Freezer Baskets	2 Luxury-Glide® (1 Deep Plastic w/Divider)
Soft Freeze™ Bin	Yes
Pizza Bin	
Tilt-Out Door Racks	
Plastic Basket Tray	
Luxury-Design® LED Ramp-Up Multilevel Lighting	Yes

### Additional Features

ENERGY STAR®	
Sabbath Mode (Star-K® Certified)	Yes

### Specifications

Colour –	
Stainless Steel	S
Product Dimensions –	
Height (with Hinges and 3/8" Rollers)	69-1/2"
Cabinet Width/Door Width	35-5/8"/36"
Depth (to Center of Arc)	28-3/16"
(with 90° Door Open)	42-9/16"
(with Drawer Fully Extended Including Handle)	45-7/8"
Power Supply Connection Location	Right Bottom Rear
Water Inlet Location	Left Bottom Rear
Voltage Rating	120V/60 Hz/15 or 20A
Connected Load (kW Rating) @ 120 Volts <sup>2</sup>	1.02
Minimum Circuit Required (Amps)	15
Shipping Weight (Approx.)	347 Lbs.

<sup>2</sup>An electrical supply with grounded three-prong receptacle is required. The power supply circuit must be installed in accordance with national and local codes & ordinances.

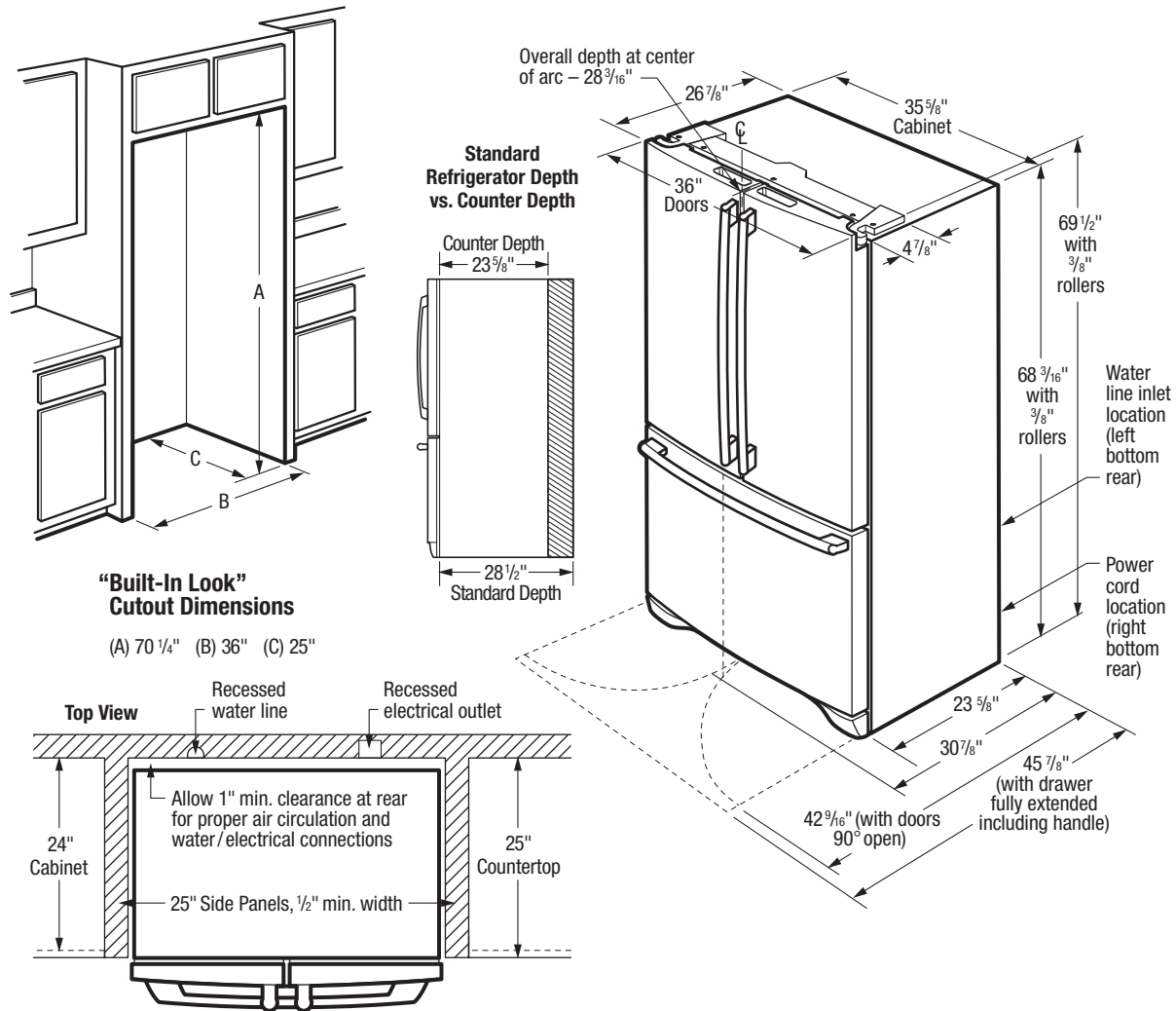
NOTE: Always consult local and national electric & plumbing codes. Refer to Product Installation Guide for detailed installation instructions on the web at [electroluxappliances.ca](http://electroluxappliances.ca).

Specifications subject to change.

<sup>1</sup>As compared to other French Door Counter-Depth models.

# French Door Refrigerator

EI23BC80KS



## Counter-Depth French Door Refrigerator Specifications

- Product Weight – 342 Lbs.
- An electrical supply with grounded three-prong receptacle is required. The power supply circuit must be installed in accordance with national and local codes & ordinances.
- Voltage Rating – 120V/60 Hz/15 or 20 Amps
- Connected Load (kW Rating) @ 120 Volts = 1.02 kW
- Amps @ 120 Volts = 8.5 Amps
- Always consult local and national electric & plumbing codes.
- Floor should be level surface of hard material, capable of supporting fully loaded refrigerator.
- When installing refrigerator adjacent to wall, cabinet or other appliance that extends beyond front edge of unit, 20" minimum clearance recommended to allow for optimum 120° to 180° door swing, providing complete drawer/crisper access and removal. (*Absolute 4-1/2" minimum clearance will ONLY allow for 90° door swing which will provide drawer/crisper access with restricted removal.*)
- To ensure optimum performance, avoid installing in direct sunlight or close proximity to range, dishwasher or other heat source.

- For proper ventilation, front grille MUST remain unobstructed.
- Recess electrical outlet when possible.
- Water recess on rear wall recommended to prevent water line damage.
- Water Pressure – Cold water line must provide between 30 and 100 pounds per square inch (psi).
- Copper tubing with 1/4" O.D. recommended for water supply line with length equal to distance from rear of unit to household water supply line plus 7 additional feet. Optional Water Supply Installation Kits available.
- Adjustable front rollers to assist with door alignment.

## "Built-In Look" Specifications

- Minimum opening of 70-1/4" H x 36" W x 25" D required to allow for ease of installation, proper air circulation, and plumbing/electrical connections.
- Remove all wall/floor moulding prior to installation.

**Note:** For planning purposes only. Refer to Product Installation Guide on the web at [electroluxappliances.ca](http://electroluxappliances.ca) for detailed instructions.

Electrolux Major Appliances, N.A.

CANADA • 5855 Terry Fox Way • Mississauga, ON L5V 3E4 • 1-800-265-8352 • [electroluxappliances.ca](http://electroluxappliances.ca)

EI23BC80K 06/15

© 2015 Electrolux Major Appliances, NA

Printed in Canada



High standards of quality at Electrolux Home Products, Inc. mean we are constantly working to improve our products. We reserve the right to change specifications or discontinue models without notice.