



# Freestanding Range

CPDF4085KF

40" Dual Fuel



### Powerful Performance

Auto Shut-Off  
PowerPlus™ and Rapid Clean Options  
Effortless™ Convection Conversion

### Performance-Driven Style

Real Stainless Steel  
Cast Iron Grates with Black Matte Finish  
Professional-Style Knobs  
Even Baking Technology  
Low-Simmer Burner (5,000 - 675 BTU)  
Center Burner (9,100 BTU)

### SpaceWise™ Design

Fits-More™ Cooktop  
Fits-More™ Side Oven  
Bake Option  
Broil Option  
Oven Light  
Oven Rack

### One-Touch Options

Keep Warm  
My Favourite  
One-Touch Self Clean

### More Easy-To-Use Features

Delay Start  
Extra-Large Window with Pro-Tint Finish  
Storage Drawer

Sabbath Mode (Star-K® Certified)

### Capacities

3.7 Cu. Ft. Main Oven Capacity  
1.7 Cu. Ft. Auxiliary Side Oven Capacity

### Product Dimensions

Height 48-1/8"  
Width 40-1/8"  
Depth 28-1/2"

### Available in:



Stainless  
(F)

## Signature Features



### Fits-More™ Side Oven

This range features an extra 1.7 cu. ft. Fits-More™ Side Oven that gives you more space to cook multiple dishes at the same time.



### Dual-Fuel Technology

Features the power of a gas cooktop and the precision of an electric oven for baking, so you get maximum versatility.



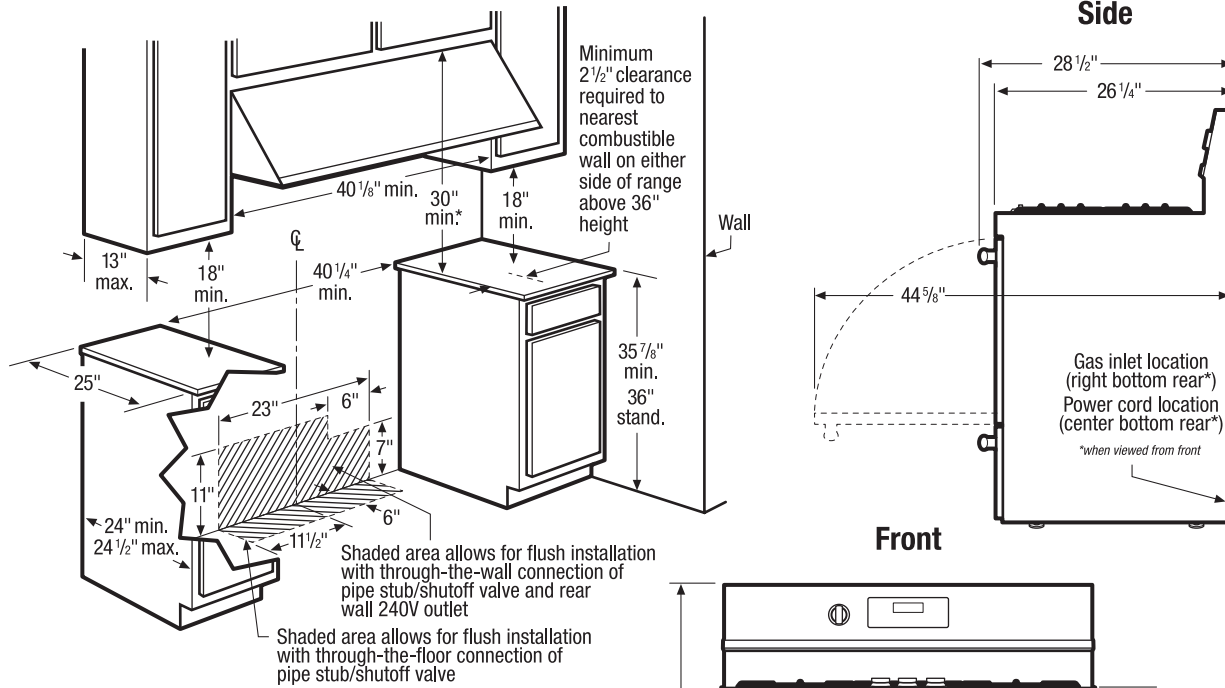
### True Convection

Multi-rack baking is faster and more even with True Convection.



### Pro-Select™ Controls

Precise control at your fingertips.



**\*Note:** 30" minimum clearance between top of cooking surface and bottom of unprotected wood or metal overhead cabinet; or 24" minimum clearance when bottom of wood or metal overhead cabinet is protected by not less than 1/4" flame-retardant millboard covered with not less than No. 28 MSG sheet steel, 0.015" stainless steel, 0.024" aluminum or 0.020" copper. 0" clearance is minimum for rear of range. Follow all dimension requirements provided above to prevent property damage, potential fire hazard, and incorrect countertop and cabinet cuts.

**Freestanding Range Specifications**

- Product Shipping Weight (approx.) - 265 Lbs.
- Single phase 3- or 4-wire cable, 120/240 or 120/208 Volt, 60 Hertz, fused on both sides of line with ground. (If local code permits, range may be connected by hard-wiring or by means of power supply cord kit.)
- Connected Load (kW Rating) @ 240/208 Volts = 4.5/3.4 kW
- Amps @ 240/208 Volts = 19.0/16.0 Amps
- Recommended Circuit Breaker - 30 Amps
- Always consult local and national electric and gas codes.
- Range ships with 1/2" NPT factory regulator.
- LP Gas conversion kit supplied.
- Gas supply piping can be routed through side wall of right cabinet. Right side cabinet is ideal location for main shutoff valve.
- Overhead cabinetry should not exceed a 13" maximum depth.
- Absolute minimum horizontal distance between overhead cabinets installed to either side of appliance must be no less than maximum width of appliance.

- Allow 24" minimum clearance between rangetop and bottom of cabinet when bottom of wood or metal cabinet is protected by not less than 1/4" flame-retardant millboard covered with not less than No. 28 MGS sheet steel, 0.015" stainless steel, 0.024" aluminum or 0.020" copper. Allow 30" minimum clearance when cabinet is unprotected.
- To reduce risk of fire when using overhead cabinetry, install range hood that projects horizontally a recommended minimum of 5" beyond bottom of cabinets.
- Minimum 2-1/2" clearance required from edge of rangetop to nearest combustible wall on either side of range above 36" height.
- Range can be installed flush to wall with 0" minimum rear clearance.
- For installation against left side wall that extends to or beyond range's side panel, allow 2-3/4" minimum clearance to allow auxiliary oven door to open.
- Follow all dimension requirements provided to prevent property damage, potential fire hazard, and incorrect countertop and cabinet cuts.

**Note:** For planning purposes only. Refer to Product Installation Guide on the web at [frigidaire.ca](http://frigidaire.ca) for detailed instructions.