

Freestanding Range

FGEF302TPF

30" Electric



Product Dimensions

Height (Max.)	49"
Width	29-7/8"
Depth (Including Handle)	28"

More Easy-To-Use Features

Quick Boil

Get meals on the table faster with quick boil — water boils faster than the traditional setting.

Fits-More™ Cooktop with SpaceWise® Expandable Elements

The cooktop features five elements including a SpaceWise® Expandable element and a Warming Zone so you can cook more at once.

One-Touch Options

Our ovens feature easy-to-use one touch buttons so you can add a minute to the timer, or keep foods warm — with the touch of a button.

Keep Warm Zone

Keep food warm until everything—and everyone—is ready.

Precision Set™ Controls

Adjust heat levels more precisely, providing exceptional temperature control.

Sabbath Mode (Star-K® Certified)

Available in:



Stainless
(F)

Signature Features



Symmetry™ Double Ovens

Cook multiple dishes, at different temperatures, all at one time, with Symmetry™ Double Ovens.



Quick Preheat

Preheat in just a few minutes!



One-Touch Self-Clean

Your oven cleans itself — so you don't have to. Self-clean options available in 2-, 3- and 4-hour cycles.



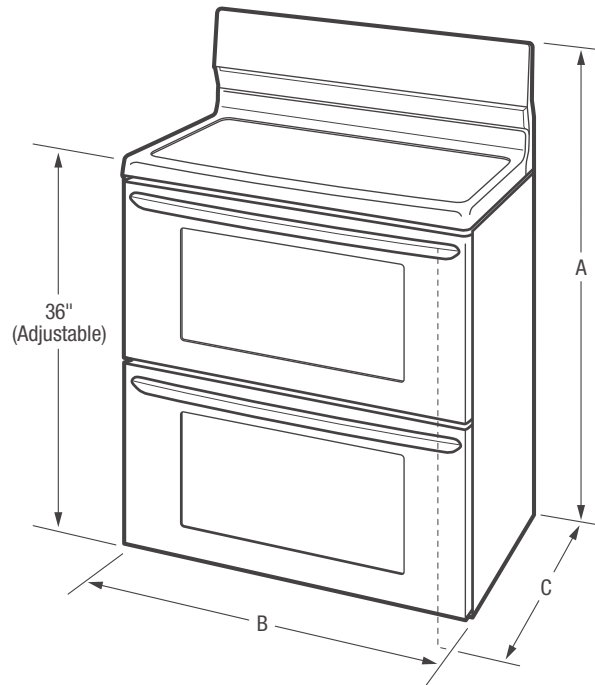
Smudge-Proof™ Stainless Steel

Resists fingerprints and cleans easily.

Elements	Size	Watts
Right Front	6" / 9" Expandable	1,200 / 3,000
Right Rear	6"	1,200
Left Front	9"	2,500
Left Rear	6"	1,200
Center	Keep Warm Zone	100

Based on single rack cooking performance, not set temperature, using Quick Preheat.

Features	
Oven Control/Timing System	Precision Set™ Controls
Surface Type	Black Ceramic Glass
Window	Large
Exterior Door Finish	Smudge-Proof™ Stainless Steel
Handle Design	Stainless Steel
Exterior Finish (Side Panels)	Black
Convection System	
Oven Cleaning System	Self Clean
Oven Controls	
Bake/Broil	Yes/Variable (400-550°F)
Effortless™ Convection Conversion	
Convection Bake/Broil/Roast	
Quick Bake Convection	
Quick Preheat	Yes
Effortless™ Temperature Probe	
My Favorite	
Pizza Button	Yes (Upper)
Keep Warm	Yes
Add-a-Minute	Yes
Delay Start	Yes
Self Clean	2, 3, 4 Hours
Quick Clean Option	Yes
Delay Clean	2, 3, 4 Hours
Kitchen Timer/Timed Cook Option	Yes/Yes
Auto Oven Shutoff	6 Hours
Oven Lock-Out	Yes
Cooktop Features	
Right Front Element (Watts)	SpaceWise® Expandable 6"/9"- 1,200/3,000
Right Rear Element (Watts)	6" - 1,200
Left Front Element (Watts)	9" - 2,500
Left Rear Element (Watts)	6" - 1,200
Bridge Element (Watts)	
Center Element (Watts)	Keep Warm Zone - 100
Oven Features	
Upper/Lower Oven Capacity (Cu.Ft.)	3.6/3.6
Upper/Lower Oven Light	1/1
Hidden Bake Element	Yes
Upper/Lower Rack Configuration	1 Standard, 1 Offset/ 1 Offset
Baking System	Even Baking Technology
Broiling System	Vari-Broil™
Upper Bake/Broil Elements (Watts)	2,500/3,400
Lower Bake/Broil Elements (Watts)	2,500/3,400
Certifications	
Sabbath Mode (Star-K® Cert.)	Yes
Specifications	
Upper Oven Interior (H x W x D)	13-3/16" x 24-1/8" x 19-1/2"
Lower Oven Interior (H x W x D)	13-3/16" x 24-1/8" x 19-1/2"
Power Supply Connection Location	Left Bottom Rear
Voltage Rating	240V / 208V / 60Hz
Connected Load (kW Rating) @ 240 / 208 Volts	15.7/11.6
Minimum Circuit Required (Amps)	40
Shipping Weight (Approx.)	245 Lbs.



NOTE: For planning purposes only. Always consult local and national electric codes. Refer to Product Installation Guide for detailed installation instructions on the web at frigidaire.com.



Product Dimensions	
A - Height (Max.)	49"
B - Width	29-7/8"
C - Depth (Including Handle)	28"
Depth with Door Open 90°	42"

Cutout Dimensions	
Height (Stand.)	36"
Width (Min.)	30"
Depth (Min.)	24"

Accessories information available on the web at frigidaire.com

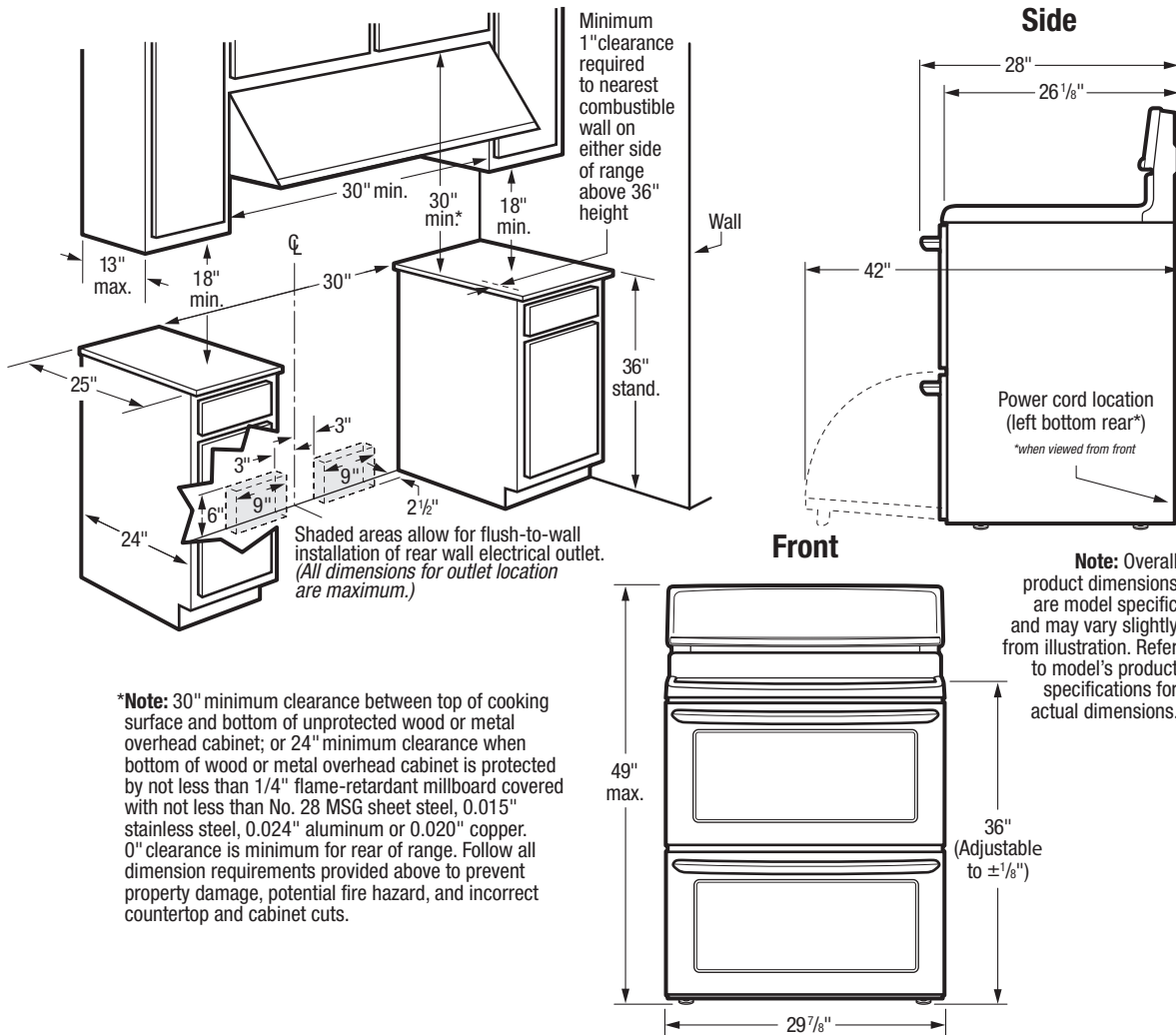
FRIGIDAIRE

USA • 10200 David Taylor Drive • Charlotte, NC 28262 • 1-800-FRIGIDAIRE • frigidaire.com
CANADA • 5855 Terry Fox Way • Mississauga, ON L5V 3E4 • 1-800-265-8352 • frigidaire.ca

FGEF302TP 12/15

© 2015 Electrolux Home Products, Inc.

Specifications subject to change.



Freestanding Range Specifications

- Product Shipping Weight (approx.) - 245 Lbs.
- Single phase 3- or 4-wire cable, 120/240 or 120/208 Volt, 60 Hertz, fused on both sides of line with ground.
- Connected Load (kW Rating) @ 240/208 Volts = 15.7/11.6
- Recommended Circuit Breaker - 40 Amps
- Always consult local and national electric codes.
- Floor beneath range MUST be solid and level.
- Overhead cabinetry should not exceed a 13" maximum depth.
- Absolute minimum horizontal distance between overhead cabinets installed to either side of appliance must be no less than maximum width of appliance.
- Range can be installed flush to wall with 0" minimum rear clearance.
- Minimum 1" clearance required from edge of rangetop to nearest combustible wall on either side of range above 36" height.

- Allow 30" minimum clearance between top of cooking surface and bottom of unprotected wood or metal overhead cabinet; or 24" minimum clearance when bottom of wood or metal overhead cabinet is protected by not less than 1/4" flame retardant millboard covered with not less than No. 28 MSG sheet steel, 0.015" stainless steel, 0.024" aluminum or 0.020" copper.
- To reduce risk of fire when using overhead cabinetry, install range hood that projects horizontally a recommended minimum of 5" beyond bottom of cabinets.
- Follow all dimension requirements provided to prevent property damage, potential fire hazard, and incorrect countertop and cabinet cuts.

Note: For planning purposes only. Refer to Product Installation Guide on the web at frigidaire.com for detailed instructions.

