

FRIGIDAIRE®

All about the

Use & Care

of your Slow Cooker

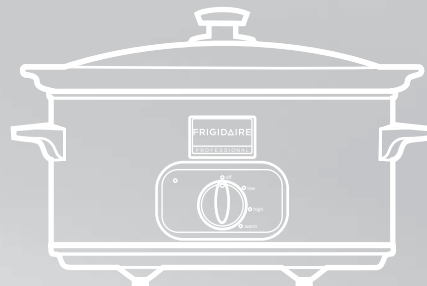


TABLE OF CONTENTS

Important Safeguards	2	Replacement Parts.....	9
Slow Cooker Safety Instructions.....	3	Cleaning and Maintenance.....	10
Parts and Features.....	5	Slow Cooker Guidelines.....	11
Prior to Using your Slow Cooker.....	5	Warranty.....	12
Using Your Slow Cooker	6		

Register via the internet at:
www.frigidaire.com/productregistration

USA and Canada 1-888-845-7330

900253434- UMR2 (March 2013)

IMPORTANT SAFEGUARDS

When using electrical appliances, basic safety precautions should always be followed, including the following:

- 1 READ ALL INSTRUCTIONS. KEEP THESE INSTRUCTIONS FOR FUTURE USE.
- 2 Do not touch hot surfaces. Use handles or knobs.
- 3 To protect against fire, electric shock and injury to persons, do not immerse cord, plug, or the main Slow Cooker housing in water or other liquids. If housing falls into liquid, unplug the cord from outlet immediately. DO NOT reach into the liquid.
- 4 When using this appliance, provide adequate air space above and on all sides for air circulation. On surfaces where heat may cause a problem, an insulated heat pad is recommended.
- 5 To reduce the risk of injury, when removing the glass lid, always lift and tilt the lid away from you carefully to avoid scalding and allow water to drip back into the slow cooker.
- 6 To avoid possible accidental injury, close supervision is necessary when any appliance is used near children.
- 7 Unplug from outlet when not in use and before cleaning. Allow to cool before putting on or taking off parts.
- 8 Do not operate any appliance with a damaged cord or plug, or if the appliance malfunctions or has been dropped or damaged in any manner. Take appliance to an authorized service center for examination, repair or adjustment.
- 9 The use of accessory attachments not recommended by the appliance manufacturer may result in fire, electric shock or injury to persons.
- 10 Do not use outdoors.
- 11 Never place the removable ceramic vessel directly on a heater surface as this may cause the ceramic vessel to crack.
- 12 To disconnect the appliance, turn appliance off by pressing the "on/off" button and then remove the plug from the electrical outlet. Always remove by grasping the plug and never pull the power cord.
- 13 Never let the cord hang over the edge of table or counter, or touch hot surfaces.
- 14 Do not place on or near a hot gas or electric burner, or in a heated oven.
- 15 Extreme caution must be used when moving an appliance containing hot oil or other hot liquids.
- 16 The glass lid and removable ceramic vessel are fragile. Handle them with care.
- 17 Do not use this appliance for anything other than its intended use.

SLOW COOKER SAFETY INSTRUCTIONS

- 18 Do not store any materials in this Slow Cooker when not in use.
- 19 Avoid sudden temperature changes, such as adding cold or frozen ingredients into a heated ceramic vessel.
- 20 Never cook directly in metal housing, always use the removable ceramic vessel.
- 21 Never turn the appliance on when the ceramic vessel is empty, as this could cause a malfunction.
- 22 This appliance is for household use only.
- 23 Always attach plug to appliance first, then plug cord into the wall outlet. To disconnect, turn any control to "off", then remove plug from wall outlet.
- 24 Any other servicing should be performed by an authorized service representative.

SAVE THESE INSTRUCTIONS Consumer Safety Information THIS UNIT IS FOR HOUSEHOLD USE ONLY.

Polarized Plug

This appliance has a polarized plug (one blade is wider than the other). To reduce the risk of electric shock, this plug will fit in a polarized outlet only one way. If the plug does not fit fully into the outlet, reverse the plug and reinsert. If it still does not fit, contact a qualified electrician. Do not modify the plug in any way.

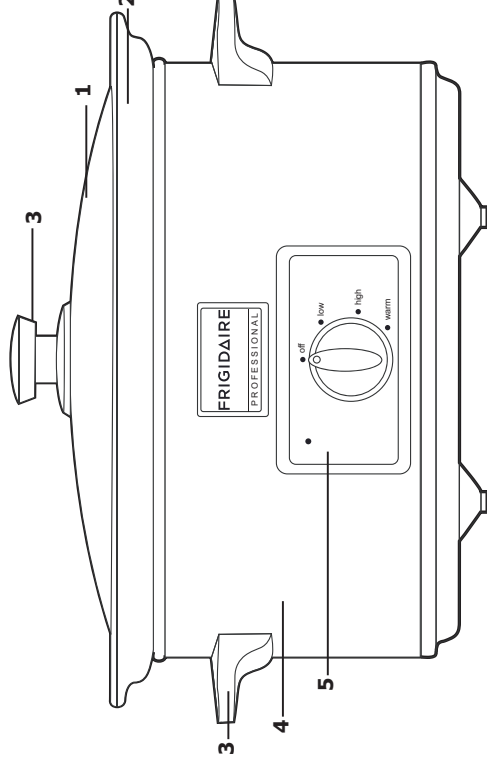
Short Cord Instructions

- 1 A short power-supply cord (or detachable power-supply cord) should be used to reduce the risk resulting from becoming entangled in or tripping over a longer cord.
- 2 Longer detachable power-supply cords or extension cords are available and may be used if care is exercised in their use.
- 3 If a longer detachable power-supply cord or extension cord is used:
 - The marked electrical rating of the cord set or extension cord should be at least as great as the electrical rating of the appliance; and
 - The cord should be arranged so that it will not drape over the countertop or tabletop where it can be pulled on by children or tripped over unintentionally.

PARTS AND FEATURES

Product Specifications

- Model Number
FPSC07K5NS
- Rated Voltage
120V ~ 60Hz
- Rated Wattage
240W
- Ceramic Vessel
7 Quarts
- Dimensions
Width 16.0"
Depth 12.25"
Height 10.5"
- Made In China



- 1 Glass Lid
- 2 Ceramic Vessel
- 3 Handles
- 4 Stainless Steel Housing
- 5 Control Panel



WARNING

Electrical Shock Hazard

Plug the unit into a properly grounded electrical outlet. Failure to follow these instructions can result in death, fire, or electrical shock.

Prior to Using Your Slow Cooker

- 1 Unpack all items, removing all packaging materials and stickers. Check to ensure that all items are present and not damaged.
- 2 Wash the glass lid and ceramic vessel in warm, soapy water and then rinse and dry. Do not immerse the housing in water or any other fluid.
- 3 Place the housing on a flat, level, dry, stable surface near an electrical outlet. Place the ceramic vessel inside the housing.
- 4 The slow cooker is now ready for use. During the first use, a slight odor may be detected during the first ten minutes of cooking.

USING YOUR SLOW COOKER

Cooking With Your Slow Cooker

- 1 Prepare the ingredients per your recipe. Traditional recipes can also be used in a slow cooker by extending the cook times. Due to the low temperatures, foods rarely over cook in a slow cooker so ensure that the food has ample time to cook. To ensure proper cooking performance, the slow cooker vessel must be filled to a minimum of half full. If the vessel is less than half full, there is a risk to overcook or burn food. When cooking lower volume, always check the doneness early. Do not fill liquids higher than 1 inch from the inner rim of the vessel.



WARNING

Never place frozen meat or poultry in the slow cooker. Make sure any meat and poultry is completely thawed before placing in the slow cooker.



WARNING

Never turn on the slow cooker while it is empty. This may cause the ceramic vessel to crack.

- 2 Place ingredients into the ceramic vessel and cover with the glass lid. Leave the lid in place for the remainder of the cooking time. Lifting the lid during cooking will allow heat to escape so 30 minutes should be added to the cook time if the lid is opened during cooking.
- 3 Ensure the knob is turned to the "Off" position. Plug the unit into a proper electrical outlet.
- 4 Turn knob to High or low depending on the recipe. Please see the "Recommended Cooking Times" section for reference.

Serving With Your Slow Cooker



WARNING

The Warm setting is for serving and keeping already cooked and heated foods warm. It should not be used to cook food.

- 1 Place food into the ceramic vessel. Foods can be heated and cooked in the slow cooker using one of the cooking functions (High, Low) and then left in the slow cooker on the Warm setting. Alternatively, foods can be heated in a microwave oven, stove top, or oven and then placed into the slow cooker.



WARNING

Do not place hot items into a cool ceramic vessel as this may cause it to crack.

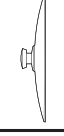
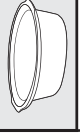

- 2 Plug the unit into a proper electrical outlet.
- 3 Turn the knob to the Warm setting.

Recommended Cooking Times

- Always use a food thermometer to check that food is properly cooked.
- When adapting conventional recipes for use in a slow cooker, the cooking times should be extended. For example, recipes that call for 15-30 minutes of cook time should be cooked in the slow cooker for 4-6 hours if using the Low setting. Additionally, recipes that require a cook time of 1 hour or 1-3 hours should be cooked in the slow cooker for 6-8 or 8-12 hours on High or Low, respectively. These are only general guidelines and may be altered to suite your particular needs.
- As a general point of reference, chicken or beef (approximately 3-4 lbs) should be cooked for 3-5 hours on High or 5-6 hours on Low. Chicken or beef based soups, stews, and chili (approximately 3-4 quarts), should be cooked for 4-5 hours on High or 6-7 hours on Low.

REPLACEMENT PARTS

- Remember, cooking times will vary depending on the volume of food, ambient temperature, and types of food being cooked. Always check the food with a food thermometer to ensure that the food is properly cooked.
- For ideal performance, the slow cooker should be between $\frac{2}{3}$ and $\frac{3}{4}$ full.

Frigidaire Accessoires / Accesorios de Frigidaire / Accessoires de Frigidaire		Part No. N° De Partie / N° De Pièce
	Glass Lid Tapa de Vidrio Couvercle en Verre	16227
	Ceramic Vessel Récipient en Céramique Bollier en Acier Inoxydable	16226
	Replacement Rubber Feet Pies de Goma de Reemplazo Pieds en Caoutchouc de Remplacement	16181-6

To order replacement parts in the U.S.A and Mexico, visit us online at www.frigidaire.com/professional

To order replacement parts in Canada, visit us online at www.frigidaire.ca

Or call us at 1-888-845-7330

Hours

Call Monday-Friday, 9 am-8:30 pm EST; Saturday and Sunday, 11am-7.30 pm EST. (Please call the same number for answers to problems or questions.)

For pricing, see our website www.frigidaire.com/professional or call 1-888-845-7330

CLEANING AND MAINTENANCE



WARNING

Do not expose the ceramic vessel or glass lid to large temperature changes such as pouring hot items into a cool vessel or pouring cold items into a hot vessel as this may cause the vessel or glass lid to crack.



WARNING

Never use abrasive cleaners or metal scouring pads to clean any part of the slow cooker.

- 1 Remove excess food from the ceramic vessel.
- 2 Ensure the slow cooker is in the Standby mode and then unplug the unit by grasping the plug and pulling it out of the outlet.
- 3 Allow the ceramic vessel and glass lid to cool to the same temperature as warm tap water to ensure you do not crack the items.
- 4 The ceramic vessel and glass lid can be hand washed in warm, soapy water, rinsed, and dried. They can also be washed in the dishwasher but care should be taken to ensure that they will not be chipped or cracked while in the dishwasher. For foods that are stuck on, soak in warm soapy water for an adequate amount of time. A nylon kitchen brush may be used for light scrubbing.
- 5 The housing, plug, and cord should NEVER be immersed in water or any other fluid. To wash the housing, wipe the surface with a soft, slightly damp cloth.
- 6 For storage, loosely lay the power cord. Do not tightly wrap it around the unit as this may damage the cord.

SLOW COOKER GUIDELINES

- Rapid temperature changes will crack the ceramic vessel and glass lid. Never turn the slow cooker on while it is empty. Never pour hot foods into a cool ceramic vessel. Never pour cold liquids into a hot ceramic vessel or onto a hot glass lid. Do not set a hot ceramic vessel or glass lid on or in any cool liquid.
- Do not place frozen meat or poultry in the slow cooker. These items must be completely defrosted before placing them in the slow cooker.
- The ceramic vessel and lid get very hot during cooking. Use oven mitts or pot holders to handle. Use a trivet or hot pad if placing a hot ceramic vessel on any surfaces, such as a counter or table.
- The ceramic vessel with the glass lid should not be used for food storage.
- To order replacement parts, please call the number listed in the warranty section.

WARRANTY

Your appliance is covered by a **one year limited warranty**. For one year from your original date of purchase, Electrolux will repair or replace the appliance or parts, at Electrolux's option, that prove to be defective in materials or workmanship when the appliance is installed, used, and maintained in accordance with the provided instructions. Labor and all costs associated with returning the appliance or parts to us and our returning the appliance or parts to you are excluded under this warranty. As a matter of warranty policy, Electrolux will not refund the consumer's purchase price. If a product or part under warranty is no longer available, Electrolux will replace with a comparable product of equal or greater value.

Exclusions: This warranty does not cover the following:

- 1** Products with original serial numbers that have been removed, altered or cannot be readily determined.
- 2** Products that have been transferred from the original owner to another party or removed outside the USA or Canada.
- 3** Rust on the interior or exterior of the unit.
- 4** Products purchased "as-is".
- 5** Food loss due to product failure.
- 6** Products used in a commercial setting or anything but single family household use.
- 7** Labor or service visits under any circumstance.
- 8** Glass parts or containers, filters, non-stick surfaces.
- 9** Ordinary wear and tear.
- 10** Damages caused by improper use, installation, or service; use of parts other than genuine Electrolux parts; negligence; abuse; misuse; inadequate or excessive power supply; accidents; fires; or acts of God.

Keep your receipt or some other appropriate payment record to establish the warranty period. Should warranty service be required, you must show proof of purchase.

If You Need Service:

To obtain warranty service in the USA or Canada, call 1-888-845-7330. Please have the model number, serial number, and date of purchase information available.

DISCLAIMER OF IMPLIED WARRANTIES; LIMITATION OF REMEDIES:

CUSTOMER'S SOLE AND EXCLUSIVE REMEDY UNDER THIS LIMITED WARRANTY SHALL BE, AT ELECTROLUX'S SOLE DISCRETION, PRODUCT OR PART REPAIR OR REPLACEMENT AS PROVIDED HEREIN. CLAIMS BASED ON IMPLIED WARRANTIES, INCLUDING WARRANTIES OF MERCHANTABILITY OR FITNESS FOR A PARTICULAR PURPOSE, ARE LIMITED TO ONE YEAR OR THE SHORTEST PERIOD ALLOWED BY LAW. ELECTROLUX SHALL NOT BE LIABLE FOR CONSEQUENTIAL OR INCIDENTAL DAMAGES SUCH AS PROPERTY DAMAGE AND INCIDENTAL EXPENSES RESULTING FROM ANY BREACH OF THIS WRITTEN LIMITED WARRANTY OR ANY IMPLIED WARRANTY. SOME STATES AND PROVINCES DO NOT ALLOW THE EXCLUSION OR LIMITATION OF INCIDENTAL OR CONSEQUENTIAL DAMAGES, OR LIMITATIONS ON THE DURATION OF IMPLIED WARRANTIES, SO THESE LIMITATIONS OR EXCLUSIONS MAY NOT APPLY TO YOU. THIS WRITTEN WARRANTY GIVES YOU SPECIFIC LEGAL RIGHTS. YOU MAY ALSO HAVE OTHER RIGHTS THAT VARY FROM STATE TO STATE.

This warranty only applies to products purchased in the USA and CANADA. In the USA, your appliance is warranted by Electrolux Home Care Products, Inc. In Canada, your appliance is warranted by Electrolux Home Care Products Canada Inc. Electrolux authorizes no person to change or add to any obligations under this warranty. Product features or specifications as described or illustrated are subject to change without notice.

USA

1-888-845-7330

Electrolux Home Care Products, Inc.
10200 David Taylor Drive
Charlotte, NC 28262

CANADA

1-888-845-7330

Electrolux Home Care Products Canada Inc.
5855 Terry Fox Way
Mississauga, ON, Canada L5V 3E