

FRIGIDAIRE

GALLERY.



Side-by-Side Refrigerator

FGTC2349K S

23 Cu. Ft. Counter-Depth



Signature Features



Panel Kit-Ready

Can be customized with stainless steel or custom cabinet panels.



Most Usable Shelf Space¹

Our adjustable shelves have room to store more.



SpaceWise[®] Organization System

Our SpaceWise[®] Organization system makes it easy to keep food organized and easy to find when you need it.



Quick Ice²

Quick Ice delivers up to 37 percent more ice.

Product Dimensions

Height (Including Hinges & Rollers)	69-3/8"
Width (Doors)	36"
Depth (Including Door)	26-7/8"

More Easy-To-Use Features

Quick Freeze

Quickly freeze whatever you store to keep foods at their freshest.

PureAir Ultra[®] Filters

Keeps the air cleaner and fresher.

SpaceWise[®] Adjustable Shelf

Easily adjust this shelf up and down to create more space for taller items.

SpillSafe[®] Shelves

Designed to keep spills contained, making cleanup a breeze.

Express-Select[®] Controls

Easily select options with the touch of a button.

Energy Saver Plus Technology³

Our refrigerator will automatically go into an energy-saving mode if not opened for 24 hours.

Automatic Alerts

Refrigerator alerts you if the door is left open or if temperature rises.

Designer Lighting

Beautiful, ramp-up lighting keeps contents clearly visible.

ENERGY STAR[®]

Sabbath Mode (Star-K[®] Certified)



Available in:



Stainless (S)

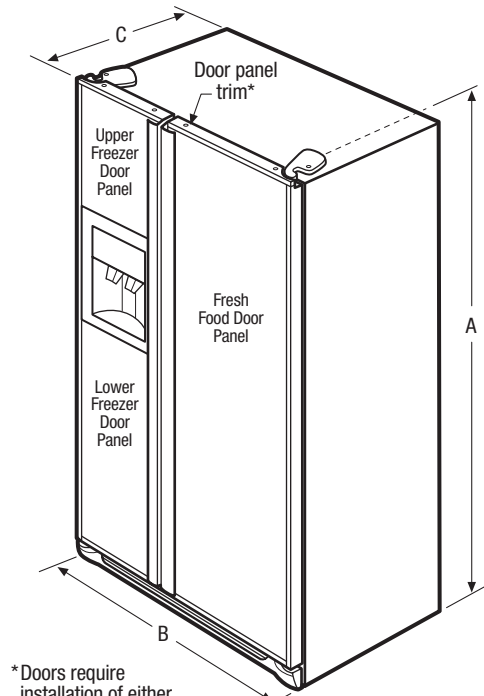
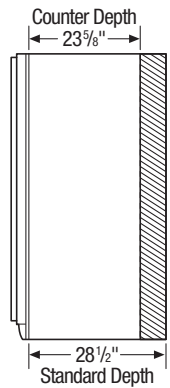
¹As compared to other counter-depth side-by-side models.

²In a 24 hour period.

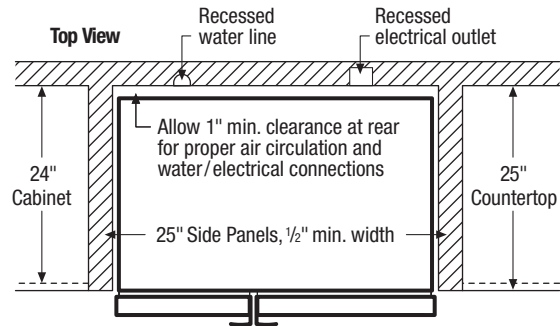
³If this refrigerator door is not opened for 24 hours AND the refrigerator system is set to the 12-hour defrost cycle, then the system automatically goes to a 96-hour compressor run time defrost cycle to conserve electricity.

Features	
Door Design	Panel
Door Handle Design	Full-Length Stainless Steel
Cabinet Finish	Textured
Door Stops/Door Closers	Yes/Yes
Door Hinge Covers	C.C.
Rollers - Front/Rear	Adjustable/Yes
Energy Saver Plus Technology	Yes
Water Filter Location/Sound Package	Front/ Quiet Pack
Dispenser	
Controls	Express-Select*
Dispenser Design	Short, Dual Paddle
Number of Dispenser Buttons	12
Crushed Ice/Cube Ice/Chilled Water	Yes/Yes/Yes
Ice Option/Freeze Option	Quick Ice/Quick Freeze
Display On/Off Option	
Lock/Light	Yes/Yes
Temp Failure Alerts	Yes
Door Ajar Failure Alerts	Yes
Power Failure Alerts	Yes
Water Filter Change Indicator Light	Yes
Air Filter Change Indicator Light	Yes
Refrigerator Features	
Interior Lighting	Designer
Water Filter Type	PureSource 2*
Air Filter Type	PureAir Ultra*
Fixed Shelves/Sliding Shelves	No/2 SpillSafe*
Cool Zone™ Drawer	1 Stacked
Wine Rack/Can Rack	No/1 Clear
Upper Crisper/Lower Crisper	1 Clear/1 Clear
Humidity Controls/Dairy Compartment	2/1 Clear
Fixed Door Bins	1 One-Gallon Clear
Adjustable Door Bins	2 Two-Liter Clear
Non-Slip Bin Liner	Yes
Bottle Retainers/Condiment Bin	1 Clear/1 Clear
Freezer Features	
Door Bins/Tilt-Out Wire Door Bins	2 Clear/2
Fixed Shelves	2 Glass SpillSafe*
Full Extension Baskets	1 Wire
Full Freezer Baskets	1 Wire
Half Freezer Baskets	1 Wire
Ice Cream Shelf/Pizza Shelf	
SpaceSaver™ Shelf/Lighting	Yes/Yes
Optional Accessories	
Stainless Steel Door Panel Kit	PN# PK23CDS
Stainless Look Collar Kit	PN# CK23CDS
Certifications	
Sabbath Mode (Star-K® Certified)	Yes
ENERGY STAR®	Yes
Specifications	
Total Capacity (Cu.Ft.)	22.6
Refrigerator Capacity (Cu.Ft.)	14.1
Freezer Capacity (Cu.Ft.)	8.5
Power Supply Connection Location	Right Bottom Rear
Water Inlet Connection Location	Left Bottom Rear
Voltage Rating	120V/60Hz/15 or 20A
Connected Load (kW Rating) @ 120 Volts1	1.02
Amps @ 120 Volts	8.5
Minimum Circuit Required (Amps)	15
Shipping Weight (Approx.)	325 Lbs.

Standard Refrigerator Depth vs. Counter Depth



*Doors require installation of either optional Door Panel Kit or custom-built door panels.



NOTE: For planning purposes only. Always consult local and national electric and plumbing codes. Refer to Product Installation Guide for detailed installation instructions on the web at frigidaire.com.



Product Dimensions	
A - Height (Incl. Hinges & Rollers)	69-3/8"
B - Cabinet Width / Door Width	35-5/8" / 36"
C - Depth (Incl. Door)	26-7/8"
Depth with Door Open 90°	47-3/4"

"Built-In Look" Cutout Dimensions	
Height (Incl. Hinges and Rollers)	70-1/4"
Width	36"
Depth	25"

¹For use on adequately wired 120V, dedicated circuit having 2-wire service with a separate ground wire. Appliance must be grounded for safe operation.

Accessories information available on the web at frigidaire.com

FRIGIDAIRE

USA • 10200 David Taylor Drive • Charlotte, NC 28262 • 1-800-FRIGIDAIRE • frigidaire.com
 CANADA • 5855 Terry Fox Way • Mississauga, ON L5V 3E4 • 1-800-265-8352 • frigidaire.ca

FGTC2349K 12/10

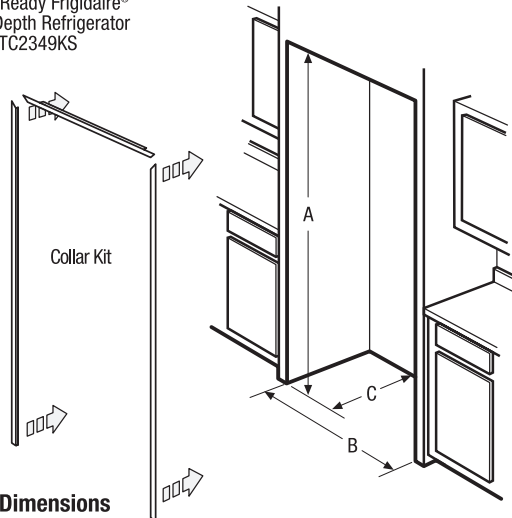
© 2010 Electrolux Home Products, Inc.

Specifications subject to change.
 Printed in the U.S.A.

Collar Kit (CK23CDS)

Kit includes: Side/top trim pieces and corner gussets with screws.

For installation on:
Panel Kit-Ready Frigidaire®
Counter-Depth Refrigerator
model FGTC2349KS

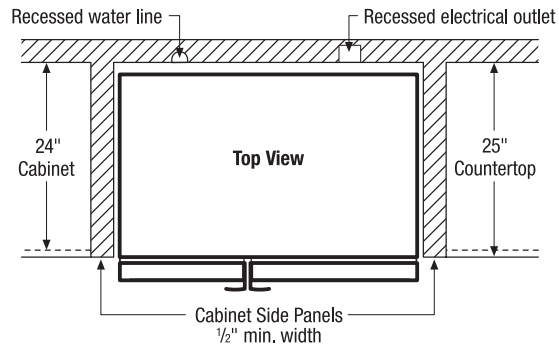
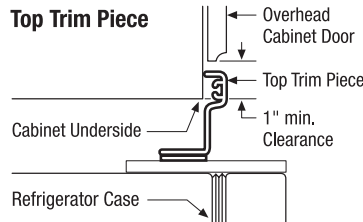
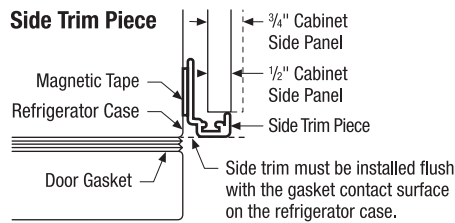
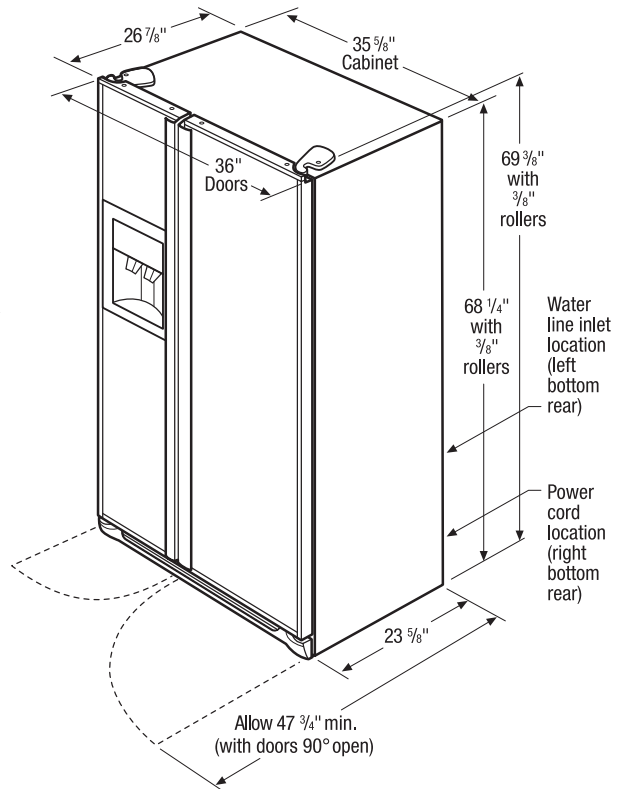


Cutout Dimensions

(A) 70 1/4" (B) 36 1/8"
(C) 24 1/2" min.*

*Minimum depth from face of cabinet side panels and requires recessed electrical outlet and water line.

Note: Refer to detailed Collar Kit (CK23CDS) Installation instructions included with kit or on web.



Collar Kit (CK23CDS) Installation Specifications

- Collar Kit (PN# CK23CDS) is designed to complete "Built-In Look" when installed on Panel Kit-Ready Frigidaire® Counter-Depth Refrigerator model FGTC2349KS.
- To use Collar Kit (PN# CK23CDS), an enclosure is required around Counter-Depth Refrigerator having an opening of 70-1/4" H x 36-1/8" W with minimum cabinet side panels of 24-1/2" D x 1/2" W.
- Minimum 24-1/2" depth requires recessed electrical outlet and water line.
- Add maximum of 1/4" to 70-1/4" opening height when installed with frameless-style overhead cabinets, for door opening clearance.
- Cabinet or soffit above unit must extend out to same depth as side panels.

- To provide additional clearance for overhead cabinet doors when in open position, allow 1" from underside of cabinet to bottom of cabinet door.
- A minimum width of 36-1/8" is required for refrigerator installation with an additional 1/2" or 3/4" added for each side panel.
- If 1/2" side panels are used, then side trim piece and panel will be even. If 3/4" side panels are used, then 1/4" of side panel will extend beyond collar trim and must be finished.
- For detailed refrigerator installation, refer to model-specific product page and installation guide on web.

Note: For planning purposes only. Refer to Product Installation Guide on the web at frigidaire.com for detailed instructions.

Door Panel Kit & Custom-Built Door Panel Installation

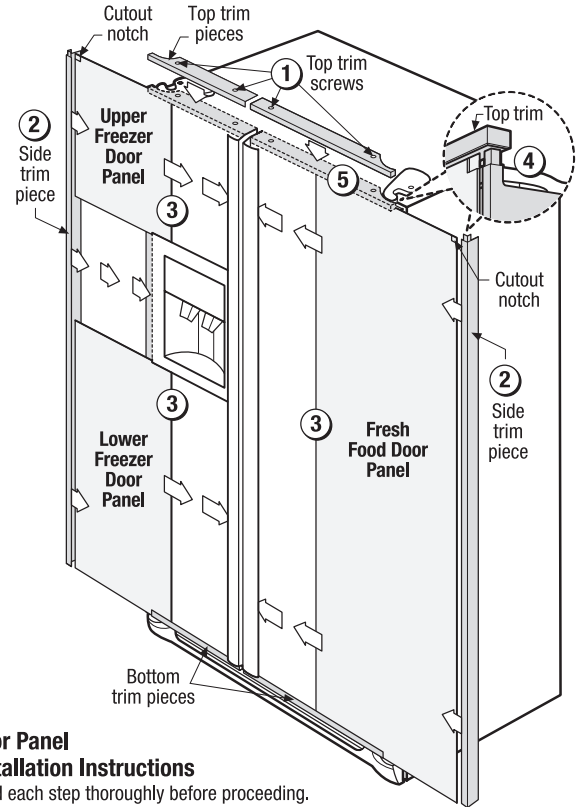
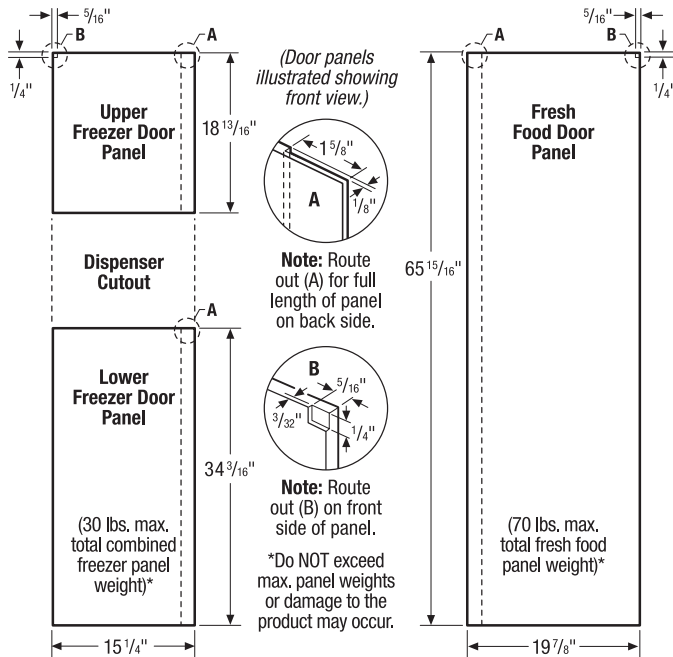
These instructions provide all necessary procedures required to install optional Door Panel Kit or custom-built door panels on Panel Kit-Ready Frigidaire® Counter-Depth Refrigerator model FGTC2349KS.

Door Panel Kit: Available in Stainless Steel (PN# PK23CDS).
(For complete installation details, refer to instructions included with kit.)

Custom-Built Door Panels: Order your own custom-built door panels to match cabinetry or decor. Custom cabinet builders, or local cabinet shops, may fabricate decorative door panels. (For complete construction and installation details, refer to instructions below.)

Custom-Built Door Panel Specifications

To obtain proper fit when building custom door panels, 1/4"-thick panels will fit door frames with no special preparation; panels less than 1/4" will require a spacer be inserted behind door panel to total 1/4"; panels thicker than 1/4" will require edges be routed down to equal 1/4".



Door Panel Installation Instructions

Read each step thoroughly before proceeding.

Tools: #2 Phillips Screwdriver

Step 1 – Loosen top trim on freezer and fresh food doors.

Step 2 – Remove side trim.

Swing bottom of side trim outward away from door to break magnetic attachment. Lower side trim to pull free of top trim.

Step 3 – Insert panels.

Remove protective film from panels before insertion.

Upper Freezer Panel and Fresh Food Panel – Cutout notch in panel is positioned to upper outside of door. Lift top trim up 1/4" and carefully push upper freezer panel in until it slides into slot behind door handle.

Lower Freezer Panel – Carefully push panel in until it slides into slot behind door handle.

Step 4 – Install side trim.

Slip upper front corner of side trim under top trim and swing into position. Make sure trim seats behind panel and in front of Ice & Water dispenser. Magnetic attraction will hold trim in place.

Step 5 – Tighten screws on top trim.

Door Panel Installation Specifications

- Panel Kit-Ready Frigidaire® Counter-Depth Refrigerator model FGTC2349KS is designed with removable door trim which requires installation of either optional Door Panel Kit or custom-built door panels. (For details, refer to Door Panel Installation of choice on this page.)
- For detailed refrigerator installation, refer to model-specific product page and installation guide on web.

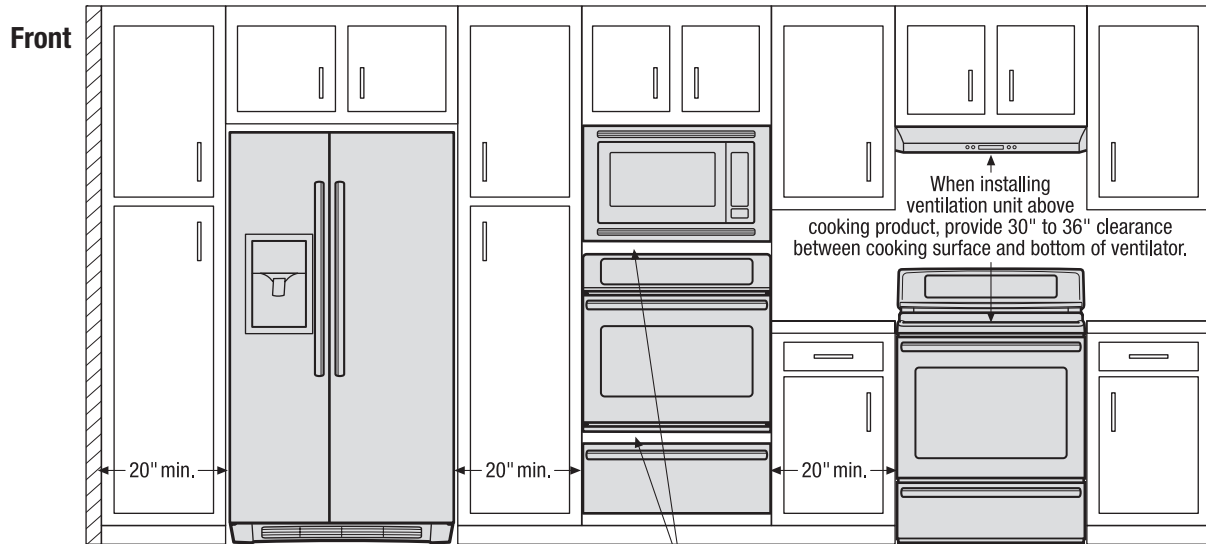
Door Panel Kit Installation

- Door Panel Kit (PN# PK23CDS) is an optional accessory which includes one fresh food and two freezer stainless steel door panels plus three matching spacer panels, all pre-cut for proper installation.
- For complete door panel installation, refer to detailed instructions included with kit.

Custom-Built Door Panel Installation

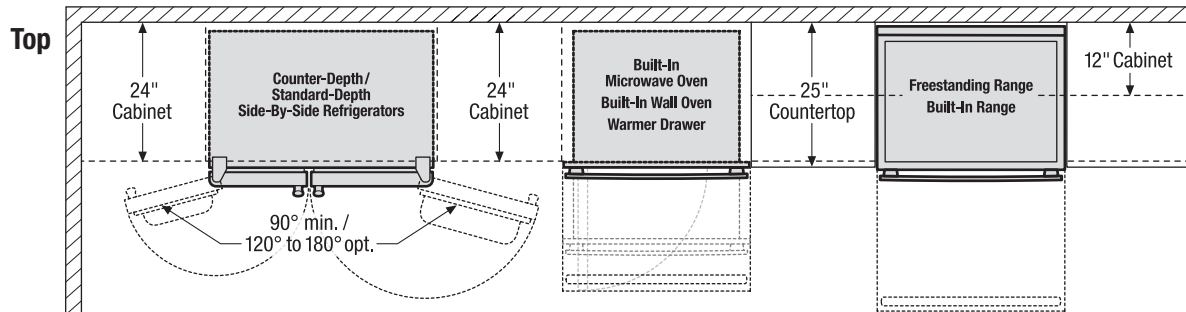
- Custom door panels can be built to match cabinetry or decor. To achieve custom installation, refer to detailed Custom-Built Door Panel Specifications and Door Panel Installation instructions provided above.
- When building custom door panels, 1/4"-thick panels will fit door frames with no special preparation; panels less than 1/4" will require a spacer be inserted behind door panel to total 1/4"; panels thicker than 1/4" will require edges be routed down to equal 1/4".
- Do not exceed maximum panel weights recommended or damage to product may occur. Combined weight of freezer panels should be 30 lbs. max. and fresh food panel weight should be 70 lbs. max.

Use these dimensions and clearance instructions for planning purposes only. For detailed installation instructions, refer to installation guide, packed with product, or on the web at frigidaire.com.



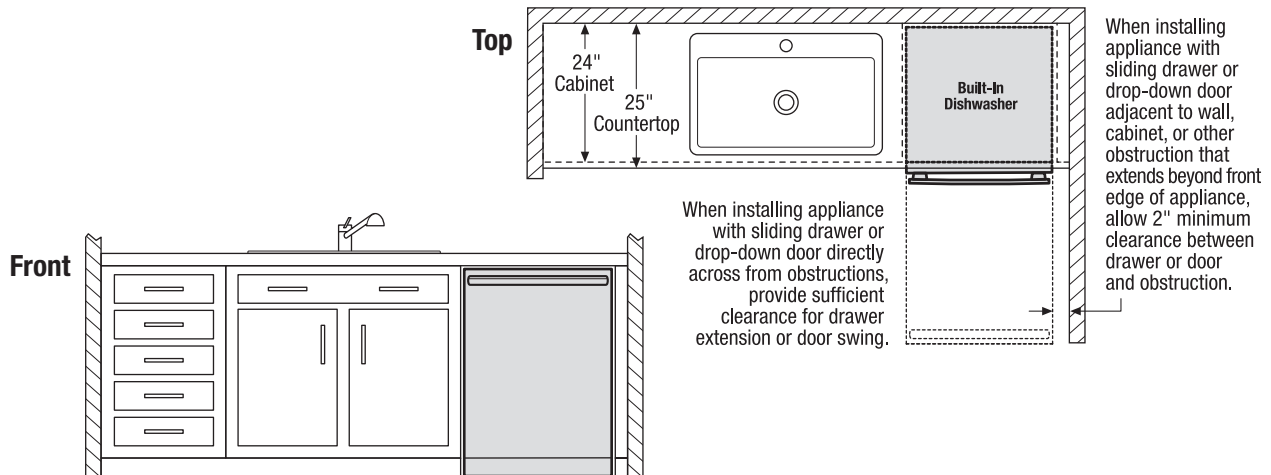
When installing appliances adjacent to each other, 20" minimum distance between each appliance required.

When installing built-in cooking appliances in combination, 2" minimum visible gap between appliance faceplates required.



When installing side-by-side refrigerator adjacent to wall, cabinet or another appliance that extends beyond front edge of unit, 20" minimum clearance recommended to allow for optimum 120° to 180° door swing, providing complete drawer/crisper access and removal.

When installing appliance with sliding drawer, swinging or drop-down door directly across from obstructions, provide sufficient clearance for drawer extension or door swings.



When installing appliance with sliding drawer or drop-down door adjacent to wall, cabinet, or other obstruction that extends beyond front edge of appliance, allow 2" minimum clearance between drawer or door and obstruction.

When installing appliance with sliding drawer or drop-down door directly across from obstructions, provide sufficient clearance for drawer extension or door swing.