

# FRIGIDAIRE

GALLERY



## Freestanding Ranges

CGEF3032K W/B

30" Electric



### Signature Features



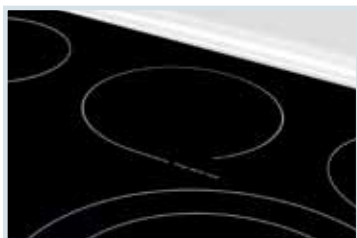
#### Quick Boil

Boil water faster with our 3,000-watt element.



#### Express-Select™ Controls

Easily go from warm to boil.



#### Keep Warm Zone

Keep food warm until everything — and everyone — is ready.



#### Effortless™ Oven Rack

Bottom rack extends when you open the door for easy access.

### Effortless Performance

Quick Bake Convection (Fan Only)  
Auto Shut-Off  
Quick Clean Option  
Broil Option (3,600W)

### Performance-Driven Style

Even Baking Technology  
Smoothtop Ceramic Glass Cooking Surface

### SpaceWise™ Design

SpaceWise™ Expandable Element – 6" to 9" (1,200W / 3,000W)

SpaceWise™ Expandable Element – 9" to 12" (1,700W / 2,700W)

Fits-More™ Cooktop

### More Easy-To-Use Features

One-Touch Self Clean  
Delay Start  
Hidden Bake Element  
Extra-Large Window  
Storage Drawer

### Capacities

5.7 Cu. Ft. Oven Capacity

### Overall Exterior Dimensions

Height	47"
Width	29-7/8"
Depth	28-1/4"

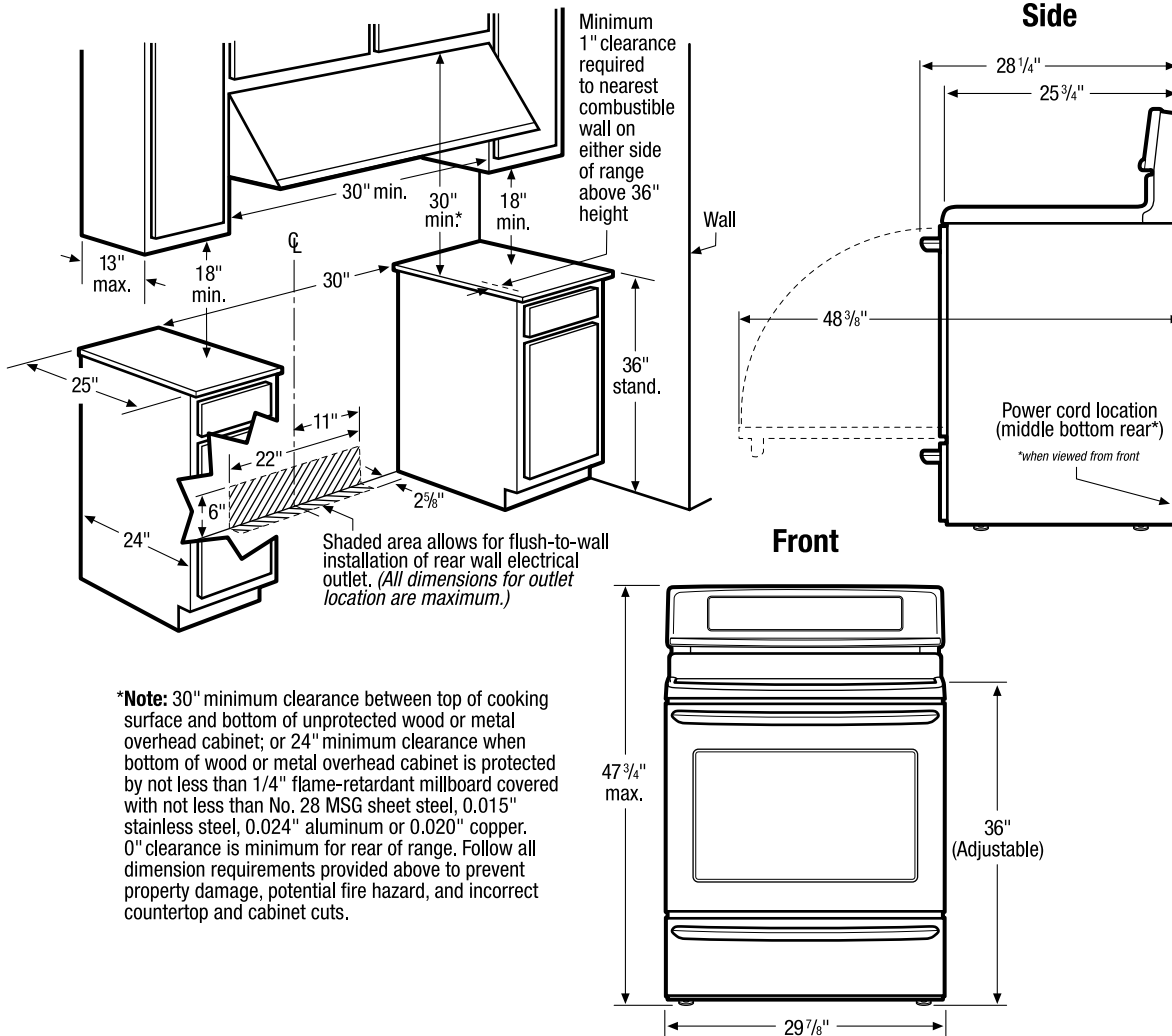
### Available in:



White  
(W)



Black  
(B)



**\*Note:** 30" minimum clearance between top of cooking surface and bottom of unprotected wood or metal overhead cabinet; or 24" minimum clearance when bottom of wood or metal overhead cabinet is protected by not less than 1/4" flame-retardant millboard covered with not less than No. 28 MSG sheet steel, 0.015" stainless steel, 0.024" aluminum or 0.020" copper. 0" clearance is minimum for rear of range. Follow all dimension requirements provided above to prevent property damage, potential fire hazard, and incorrect countertop and cabinet cuts.

**Freestanding Range Specifications**

- Product Shipping Weight (approx.) - 205 Lbs.
- Single phase 3- or 4-wire cable, 120/240 or 120/208 Volt, 60 Hertz, fused on both sides of line with ground.
- Connected Load (kW Rating) @ 240/208 Volts = 12.5/9.5kW
- Recommended Circuit Breaker - 40 Amps
- Always consult local and national electric codes.
- Floor beneath range MUST be solid and level.
- Overhead cabinetry should not exceed a 13" maximum depth.
- Absolute minimum horizontal distance between overhead cabinets installed to either side of appliance must be no less than maximum width of appliance.
- Range can be installed flush to wall with 0" minimum rear clearance.
- Minimum 1" clearance required from edge of rangetop to nearest combustible wall on either side of range above 36" height.

- Allow 30" minimum clearance between top of cooking surface and bottom of unprotected wood or metal overhead cabinet; or 24" minimum clearance when bottom of wood or metal overhead cabinet is protected by not less than 1/4" flame retardant millboard covered with not less than No. 28 MSG sheet steel, 0.015" stainless steel, 0.024" aluminum or 0.020" copper.
- To reduce risk of fire when using overhead cabinetry, install range hood that projects horizontally a recommended minimum of 5" beyond bottom of cabinets.
- Follow all dimension requirements provided to prevent property damage, potential fire hazard, and incorrect countertop and cabinet cuts.

**Note:** For planning purposes only. Refer to Product Installation Guide on the web at [frigidaire.ca](http://frigidaire.ca) for detailed instructions.