



Slide-In Range

CPES3085KF

30" Electric



Signature Features



PowerPlus® Preheat
Preheat in less than six minutes.¹



PowerPlus® Boil
Boil water fast with our 3,100-watt element.



PowerPlus® Convection
You can roast to tender, juicy perfection in less time.



Pro-Select® Controls
Precise control at your fingertips.

Powerful Performance

Auto Shut-Off
PowerPlus® and Rapid Clean Options
Effortless™ Convection Conversion
PowerPlus® Broil (4,000W)

Performance-Driven Style

Smudge-Proof™ Stainless Steel
Effortless™ Oven Rack
Even Baking Technology
Smoothtop Ceramic Glass Cooking Surface

SpaceWise® Design

Fits-More™ Cooktop
Keep Warm Drawer with SpaceWise® Half Rack
SpaceWise® Half Rack
Keep Warm Zone (100W)
SpaceWise® Expandable Element - 5" to 7" (750W/1,800W)
SpaceWise™ Bridge Element - 7" / 7" (1,800W/800W Bridge/1,800W)

One-Touch Options

Keep Warm
My Favourite
Chicken Nuggets
Pizza
Add-a-Minute
One-Touch Self-Clean

More Easy-To-Use Features

Delay Start
Hidden Bake
Extra-Large Window with Pro-Tint Finish

Sabbath Mode (Star-K® Certified)

Capacities

4.2 Cu. Ft. Oven Capacity
1.6 Cu. Ft. Drawer Capacity

Overall Exterior Dimensions

Height	36-5/8"
Width	30"
Depth	28-5/16"

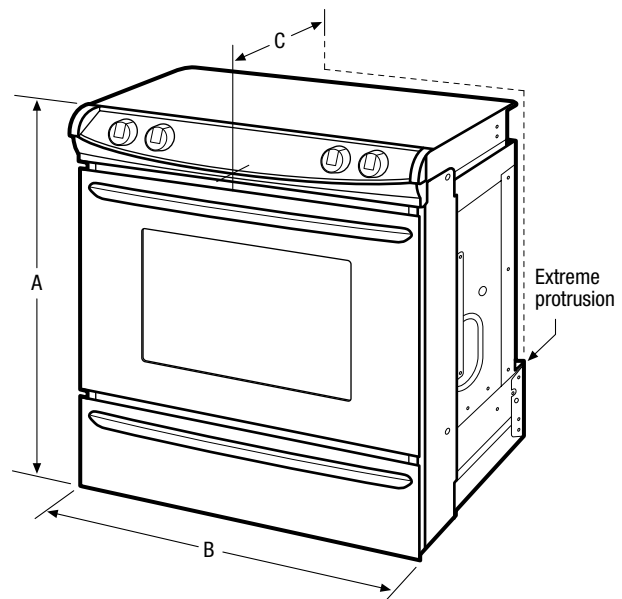
Available in:



Stainless
(F)

¹Based on single rack cooking performance, not set temperature, using PowerPlus® Preheat.

Features	
Oven Control/Timing System	Pro-Select®
Surface Type	Black Ceramic Glass
Window	Extra-Large with Pro-Tint Finish
Exterior Door Finish	Smudge-Proof™ Stainless Steel
Handle Design	Stainless Steel
Exterior Finish (Side Panels)	Black
Convection System	PowerPlus® Convection
Oven Cleaning System	Self Clean
Drawer Functionality	Warmer
Oven Controls	
Bake	Yes
Broil	Variable (400-550 °F)
Effortless™ Convection Conversion	Yes
Convection Bake / Broil / Roast	Yes / Yes / Yes
PowerPlus® Preheat	Yes
My Favourite	Yes
Chicken Nugget Button	Yes
Pizza Button	Yes
Keep Warm	Yes
Add-a-Minute	Yes
Delay Start	Yes
Self Clean	Yes
Rapid Clean Option	Yes
Delay Clean	2, 3, 4 Hours
Kitchen Timer	Yes
Timed Cook Option	Yes
Auto Oven Shut-Off	6 Hours
Lower Drawer Control	Warmer, Low-Med-High
Cooktop Features	
Right Front Element (Watts)	9" - 3,100
Right Rear Element (Watts)	5" / 7" - 750 / 1,800
Left Front Element (Watts)	7" - 1,800
Left Rear Element (Watts)	7" - 1,800
Left Bridge Element (Watts)	SpaceWise® Bridge - 800
Center Element (Watts)	Keep Warm Zone - 100
Oven Features	
Capacity (Cu. Ft.)	4.2
Oven Light	2
Hidden Bake Element	Yes
Rack Configuration	1 Heavy Duty, 1 SpaceWise® Half Rack, 1 Effortless™
Baking System	Even Baking Technology
Broiling System	PowerPlus® Broil
Bake Element/Broil Element (Watts)	2,500/4,000
Drawer Rack	1 SpaceWise® Half Rack
Certifications	
Sabbath Mode (Star-K® Certified)	Yes
Specifications	
Oven Interior (H x W x D)	16-1/2" x 24-1/8" x 18-1/32"
Power Supply Connection Location	Left Bottom Rear
Voltage Rating	240V / 208V / 60 Hz
Connected Load (kW Rating) @ 240/208 Volts	15.5/11.6
Amps @ 240/208 Volts	64.6/55.8
Minimum Circuit Required (Amps)	40
Shipping Weight (Approx.)	240 Lbs.



NOTE: Always consult local and national electric codes. Refer to Product Installation Guide for detailed installation instructions on the web at frigidaire.ca.

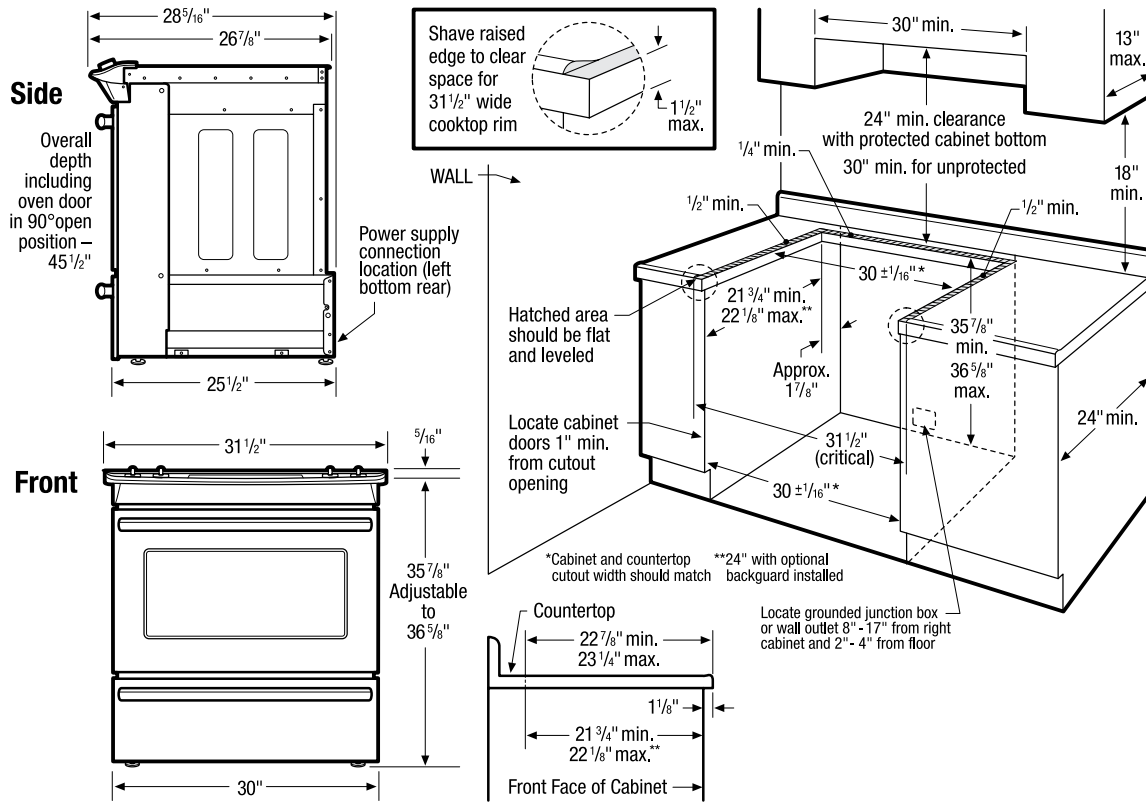


Product Dimensions	
A - Height (Max.)	36-5/8"
B - Width	30"
C - Depth	28-5/16"
Depth with Door Open 90°	45-1/2"

Cutout Dimensions	
Height (Min.) / (Max.)	35-7/8" / 36-5/8"
Width (Min.) / (Max.)*	29-15/16" / 30-1/16"
Depth (Min.) / (Max.)**	21-3/4" / 22-1/8"

*Cutout and countertop cutout width should match.
**24" with optional backguard installed.

Accessories information available on the web at frigidaire.ca



Slide-In Range Specifications

- Product Shipping Weight (approx.) - 240 Lbs.
- Single phase 3- or 4-wire cable, 120/240 or 120/208 Volt, 60 Hertz, fused on both sides of line with ground. (If local code permits, range may be connected by hard-wiring or by means of power supply cord kit.)
- Connected Load (kW Rating) @ 240/208 Volts = 14.9/11.2kW
- Amps @ 240/208 Volts = 62.1/53.9 Amps
- Recommended Circuit Breaker - 50 Amps (40 Amps minimum)
- Always consult local and national electric codes.
- Countertop MUST be level in all directions and adjustable range height at least 1/16" greater than tallest cabinet height, to ensure metal rangetop flange will fit properly on countertop edge.
- When installing optional Backguard Kit, cutout depth of 21-3/4" minimum/22-1/8" maximum needs increased to 24".
- Overhead cabinetry should not exceed a 13" maximum depth.
- Absolute minimum horizontal distance between overhead cabinets installed to either side of appliance must be no less than maximum width of appliance.
- Allow 24" minimum clearance between rangetop and bottom of cabinet when bottom of wood or metal cabinet is protected by not less than 1/4" flame-retardant millboard covered with not less than No. 28 MGS sheet steel, 0.015" stainless steel, 0.024" aluminum or 0.020" copper. Allow 30" minimum clearance when cabinet is unprotected.
- To reduce risk of fire when using overhead cabinetry, install range hood that projects horizontally a recommended minimum of 5" beyond bottom of cabinets.

Countertop Preparation

For detailed preparation instructions, refer to installation guide on the web.

- Flat square-finish (flat) countertop requires no preparation since rangetop flange lays directly on countertop edge.
- Formed front-edged countertops require front molded edge to be shaved flat 3/4" from each front corner of opening.
- Tile countertops may need cut back 3/4" from each front corner of opening and/or rounded edge flattened.
- For existing cutout width greater than 30-1/16" reduce the 3/4" overlap dimension or for cutout width of 29", replace actual side trim panels with smaller side trim panels, available with optional Side Trim Kit (refer to detailed kit installation instructions).

Note: For planning purposes only. Refer to Product Installation Guide on the web at frigidaire.ca for detailed instructions.

Optional Accessories

- Stainless Steel Rear Filler Kit - PN# 901193-901S.
- Stainless Steel Side Panel Kit - PN# 903074-901S.
- Stainless Steel Backguard Kit - PN# 903046-901S.
- Stainless Steel Side Trim Kit - PN# 903075-901S.

