

Counter-Depth Refrigerator

EI23CS35KS

Featuring IQ-Touch™ Electronic Controls



Luxury-Glide® Crispers

Drawers smoothly glide out and keep produce fresh with adjustable humidity control and minimal temperature variation.



IQ-Touch™ Controls

For those who like to have their options always visible, the IQ-Touch™ control panel displays your options at all times.



9"-Tall Water/Ice Dispenser

Our tall water and ice dispenser is specially designed to accommodate a variety of large containers, from a 16-ounce tumbler to a pitcher or a coffee carafe.



PureAdvantage® Air Filter

Keeps clean, filtered air circulated throughout to prevent odour transfer.

23 CU. FT. COUNTER-DEPTH REFRIGERATORS

Capacities

Total Capacity	22.7 Cu. Ft.
Fresh Food Volume	14.08 Cu. Ft.
Freezer Volume	8.59 Cu. Ft.
Total Shelf Area	22.31 Sq. Ft.
Fresh Food Shelf Area	16.69 Sq. Ft.
Freezer Shelf Area	5.62 Sq. Ft.

Exterior

Signature Soft-Arc Door and Handle Design	Yes
Electronic Controls	IQ-Touch™
Hidden Hinge Door Design	Yes
Ice/Water Dispenser	Yes
Perfect Set® Temperature Control System and Display	Yes
Crushed/Cubes/Water	Yes/Yes/Yes
Air and Water Filter Indicator/Reset	Yes
Fast Ice™/Fast Freeze™	Yes/Yes
Lock/Dispenser Light Control	Yes/Yes

Fresh Food Conveniences

PureAdvantage® Water & Ice	Yes
PureAdvantage® Air Filtration	Yes
Water Filter Location	Right Rear
Temp Alarm System	Yes
Door Ajar Alarm/Power Failure Alarm	Yes/Yes
Glass Shelves	3 SpillSafe® Sliding
Dual Humidity-Controlled Upper Crisper	Luxury-Glide®
Humidity-Controlled Lower Crisper	Luxury-Glide®
Perfect Temp® Drawer	
Chill Zone™ Drawer	Luxury-Glide®
Wine and Beverage Mat	
Clear Gallon Door Bins	1 Removable
Clear 2-Litre Door Bins	2 Adjustable
Condiment Bin	1
Perfect Bin™ Door Storage	
Dairy Compartment with Clear Cover	
Tall Bottle Retainers	
Clear In-Door Can Racks (Holds 6 Cans Each)	2
Luxury-Design® LED Ramp-Up Multilevel	Yes

Freezer Conveniences

Automatic Ice Maker with Ice Server	Yes
Glass Shelves	2
Sliding Full-Width Freezer Baskets	1 Luxury-Glide®/1 Standard
Sliding Half-Width Freezer Baskets	1
Clear Fixed Door Bins	4
Tilt-Out Wire Door Racks	
Ice Cream Shelf	Yes
Soft Freeze™ Bin	
Pizza Shelf	
Luxury-Design® LED Ramp-Up Multilevel	Yes

Additional Features

ENERGY STAR®	
Sabbath Mode (Star-K® Certified)	Yes

Specifications

Colour –	
Stainless Steel	S
Product Dimensions –	
Height (with Hinges and 3/8" Rollers)	69-1/2"
Cabinet Width/Door Width	35-5/8"/36"
Depth (to Center of Arc) (with 90° Door Open)	28-3/16" 45"
Power Supply Connection Location	Right Bottom Rear
Water Inlet Location	Left Bottom Rear
Voltage Rating	120V/60 Hz/15 or 20A
Connected Load (kW Rating) @ 120 Volts [†]	1.02
Minimum Circuit Required (Amps)	15
Shipping Weight (Approx.)	325 Lbs.

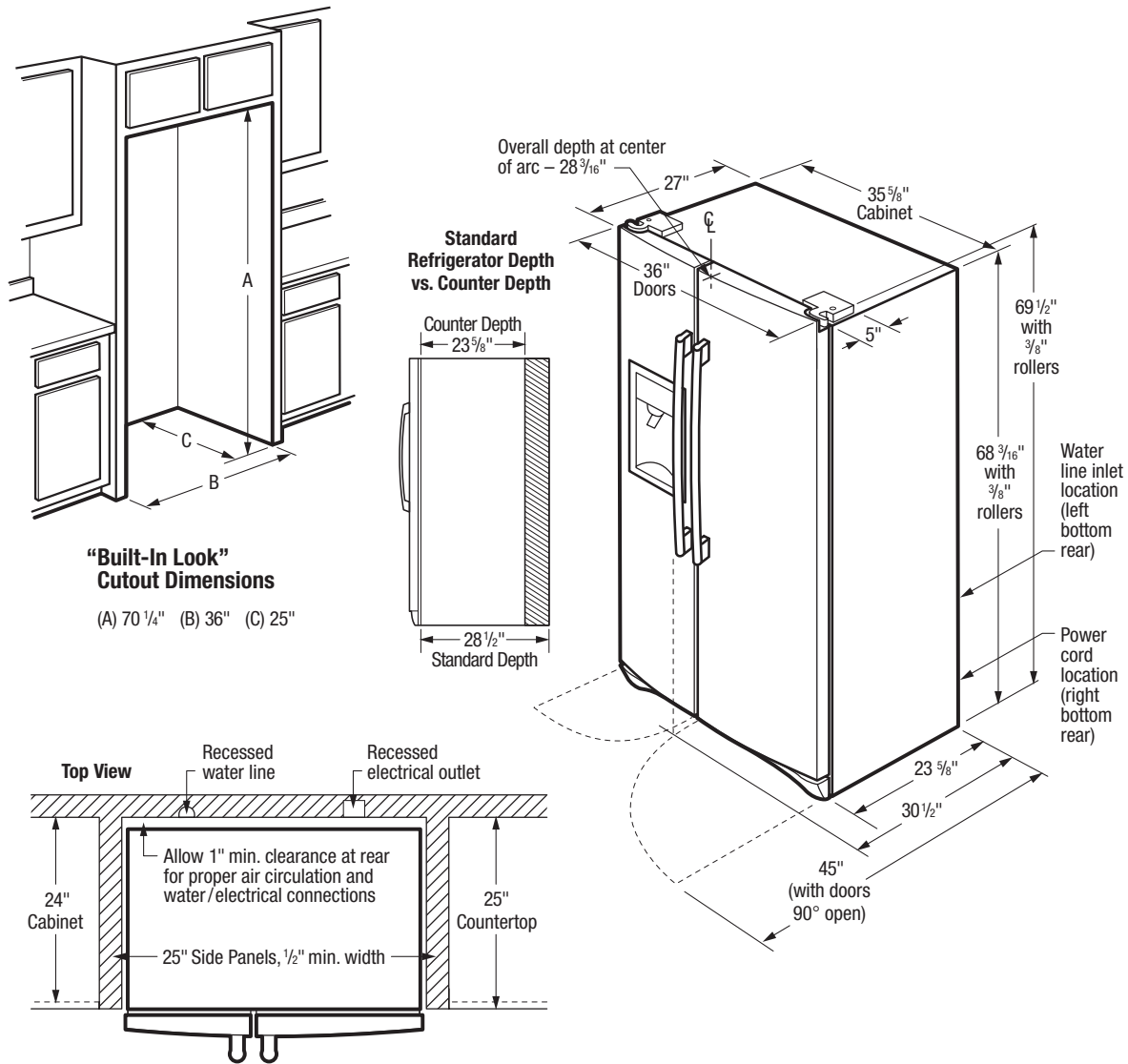
[†]An electrical supply with grounded three-prong receptacle is required. The power supply circuit must be installed in accordance with national and local codes & ordinances.

NOTE: Always consult local and national electric & plumbing codes. Refer to Product Installation Guide for detailed installation instructions on the web at electroluxappliances.ca.

Specifications subject to change.

Counter-Depth Refrigerator

EI23CS35KS



Counter-Depth Refrigerator Specifications

- Product Weight – 315 Lbs.
- An electrical supply with grounded three-prong receptacle is required. The power supply circuit must be installed in accordance with national and local codes & ordinances.
- Voltage Rating – 120V/60 Hz/15 or 20 Amps
- Connected Load (kW Rating) @ 120 Volts = 1.02 kW
- Amps @ 120 Volts = 8.5 Amps
- Always consult local and national electric & plumbing codes.
- Floor should be level surface of hard material, capable of supporting fully loaded refrigerator.
- When installing refrigerator adjacent to wall, cabinet or other appliance that extends beyond front edge of unit, 20" minimum clearance recommended to allow for optimum 120° to 180° door swing, providing complete drawer/crisper access and removal. (*Absolute 4-1/2" minimum clearance will ONLY allow for 90° door swing which will provide drawer/crisper access with restricted removal.*)
- To ensure optimum performance, avoid installing in direct sunlight or close proximity to range, dishwasher or other heat source.

- For proper ventilation, front grille MUST remain unobstructed.
- Recess electrical outlet when possible.
- Water recess on rear wall recommended to prevent water line damage.
- Water Pressure – Cold water line must provide between 30 and 100 pounds per square inch (psi).
- Copper tubing with 1/4" O.D. recommended for water supply line with length equal to distance from rear of unit to household water supply line plus 7 additional feet. Optional Water Supply Installation Kits available.
- Adjustable front rollers to assist with door alignment.

"Built-In Look" Specifications

- Minimum opening of 70-1/4" H x 36" W x 25" D required to allow for ease of installation, proper air circulation, and plumbing/electrical connections.
- Remove all wall/floor moulding prior to installation.

Note: For planning purposes only. Refer to Product Installation Guide on the web at electroluxappliances.ca for detailed instructions.

Electrolux Major Appliances, N.A.

CANADA • 5855 Terry Fox Way • Mississauga, ON L5V 3E4 • 1-800-265-8352 • electroluxappliances.ca

EI23CS35K 06/15

© 2015 Electrolux Major Appliances, NA

Printed in Canada



High standards of quality at Electrolux Home Products, Inc. mean we are constantly working to improve our products. We reserve the right to change specifications or discontinue models without notice.