

Built-In All Refrigerator

professional series

E32AR85PQS



PRODUCT DIMENSIONS

Height (Cabinet Incl. Hinge)	70-5/8"
Width	32"
Depth (Incl. Door)	26-1/2"

MORE EASY-TO-USE FEATURES

PureAdvantage® Air Filter

Keeps clean, filtered air circulated throughout to prevent odour transfer.

Custom-Design™ Glass Shelves

Extra-wide glass shelves provide enough space for large platters and are designed to keep spills contained, making them easy to clean.

Perfect Bins™ Door Storage

Convenient door storage bins tilt-out for easy access and can even be removed for even easier access.

Smooth-Glide® Storage Drawer

Drawer glides out smoothly and fully extends giving you easy access to what's inside.

Alarm System

Notifies you if there's been a power failure, if a door stays open longer than five minutes and if the interior temperature of the refrigerator rises above 56 degrees for more than 60 minutes.

Luxury-Quiet™ Design

Designed for consistently quiet operation.

Louvered Trim Kits

For an integrated look.

Available In:



Stainless
(S)

Optional Trim Kits

84" Louvered Trim Kits

(ECP8436SS & ECP8472SS)

Designed as a replacement option for the Sub-Zero® brand 650 Series models and for new-build installation.

72" Collar Trim Kits

(ECP7236SS & ECP7272SS)

Designed as a replacement option for the Sub-Zero® brand 601 Series models and for new-build installation.

79" Louvered / 75" Collar Trim Kits¹

(TRIMKITSS1 & TRIMKITSS2)

Designed as a replacement option for the Electrolux ICON® brand models E32AR75FPS and E32AF75FPS and for new-build installation.

Signature Features



Custom-Fit™ Capacity

More space inside to store whatever you need, including large platters.



Custom-Design™ Organization System

The ultimate organization system features Smooth-Glide® drawers with removable/adjustable dividers and two mini baskets and Perfect Door Storage Bins.



Smooth-Glide® Crisper Drawers

Crisper Drawers smoothly glide out and keep even the most delicate fruits and vegetables fresh with adjustable humidity control and minimal temperature variation.



Theatre Lighting

Transition LED lighting gradually illuminates the interior with soft but ample light as you open the door.

¹Kits are designed to fit either 79" or 75" opening height. For 79" cutout opening height, installation requires use of top louvered grille; for 75" cutout opening height, installation requires use of top trim piece and shortening of both side trim pieces.
Sub-Zero® is a registered trademark of Sub-Zero, Inc.

BUILT-IN ALL REFRIGERATOR

CAPACITIES

Volume	18.6 Cu. Ft.
Shelf Area	22.4 Sq. Ft.

EXTERIOR

Professional Door and Handle Design	Yes
Hidden Door Hinge Covers	Yes

INTERIOR CONVENIENCES

PureAdvantage® Air Filter	Yes
Air Filter Indicator	Yes
Electronic Control Lock	Yes
Custom-Design™ Glass Shelves	2 Adjustable
Smooth-Glide® Full-Extension Deli Drawer/Cool Zone™	1
Smooth-Glide® Full-Extension Crispers/Fresh Zone™	1
3-Position Adjustable Crisper Dividers	2
Removable Crisper Trays	2
Full-Width 1-Gallon Storage with Tall Bottle Retainer	1
Clear 2-Litre Adjustable Door Bins	3
Perfect Bins™ Door Storage	2
Dairy Door	Clear
Theatre LED Lighting	Yes
Custom-Set™ Digital Temperature Control System	Yes
Temp Alarm System/Door Ajar Alarm/Power Failure Alarm	Yes
Door Closer	Yes
Luxury-Quiet™ Design	Yes

ADDITIONAL FEATURES

Sabbath Mode (Star-K® Certified)	Yes
----------------------------------	-----

ACCESSORIES

84" Louvered Trim Kits:	Single – PN# ECP8436SS	Optional
	Double – PN# ECP8472SS	Optional
72" Collar Trim Kits:	Single – PN# ECP7236SS	Optional
	Double – PN# ECP7272SS	Optional
79" Louvered/75" Collar Trim Kits ¹ :	Single – PN# TRIMKITSS1	Optional
	Double – PN# TRIMKITSS2	Optional

SPECIFICATIONS

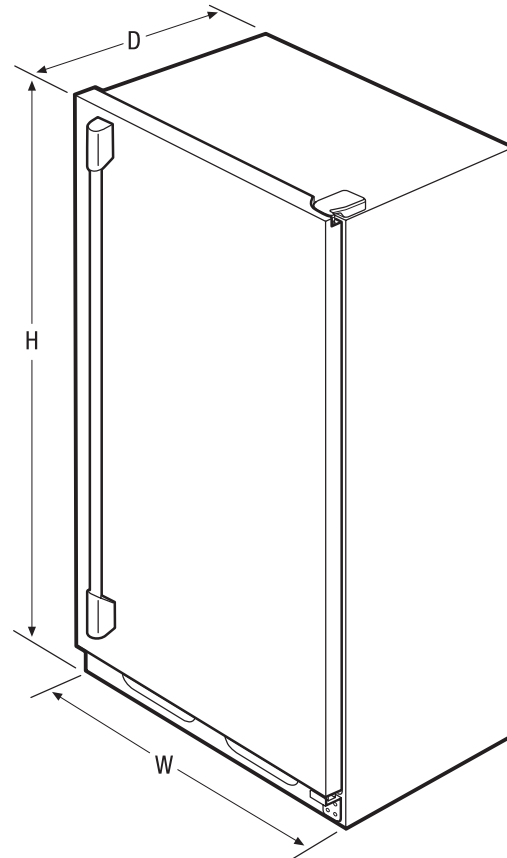
Power Supply Connection Location	Right Bottom Rear
Voltage Rating	115V/60 Hz
Connected Load (kW Rating) @ 115 Volts ²	0.55
Minimum Circuit Required (Amps)	20
Shipping Weight (Approx.)	250 Lbs.

¹Kits are designed to fit either 79" or 75" opening height. For 79" cutout opening height, installation requires use of top louvered grille; for 75" cutout opening height, installation requires use of top trim piece and shortening of both side trim pieces.

²An electrical supply with grounded three-prong receptacle is required. The power supply circuit must be installed in accordance with national and local codes & ordinances.

NOTE: Always consult local and national electric and plumbing codes. Refer to Product Installation Guide for detailed installation instructions on the web at electroluxicon.ca.

Specifications subject to change.



PRODUCT DIMENSIONS

Height (Including Door)	71-3/8"
(Cabinet Including Hinge)	70-5/8"
Width	32"
Depth (Including Door)	26-1/2"
(With Door Open 90°)	57-3/8"

