

# FRIGIDAIRE



## 30' Front Control Freestanding Electric Range

Electric Range

Available Products: CLEH3054UF

Available Colors: Stainless Steel

Version: 08/22

## Product Specifications

### Cooktop

Cooking Surface Type	Smooth
Element On Indicator Light	Yes
Hot-Surface Indicator Light	Yes
Keep Warm Zone Light	Yes

### Cooking Controls

Bake	Yes
Broil	Yes
Cancel	Yes
Delay Clean	Yes
Keep Warm	Yes
Kitchen Timer	Yes
Lockout	Yes
Off	Yes
Oven Light	Yes
Preheat	Yes
Probe	No
Self Clean	Yes
Temperature Display	Yes
Timed Bake	Yes

### Drawer

Drawer Type	Storage
-------------	---------

### Display

Display Type	Membrane
Control Location	Front

### Electrical Specifications

Minimum Circuit Required	40 Amps
Voltage Rating	240 V

### General Specifications

Warranty - Labor	1 Year
Warranty - Parts	1 Year

### Safety Certifications and Approvals

CSA Listed	Yes
ETL Listed	No

### Cooktop Performance

Right Front Element Burner Size	12"
Right Rear Element Burner Size	6"
Left Rear Element Burner Size	6"
Right Front Element Burner	2,700 Watts
Right Rear Element Burner	1,200 Watts
Left Rear Element Burner	1,200 Watts
Keep Warm Burner Location	Center Rear
Left Front Element Burner (Large)	3,000 Watts
Left Front Element Burner (Small)	1,400 Watts
Left Front Element Burner Size (Large)	9"
Left Front Element Burner Size (Small)	6"

### Oven

Bake System	Yes
Bake Element Type	Hidden
Bake Element Pass	8
Bake Element	3,500 Watts
Broil System	Yes
Broil Element Pass	6
Broil Element	3,900 Watts
Rack Position Type	Nickel Ladder
Number of Rack Positions	6
Rack Type 1	Flat
Rack Type 1 Quantity	2
Window Type	Extra Large Visual

### Controls

Control Lock	Yes
Sabbath Mode	No

### Dimensions and Volume

Height	36 5/8"
Width	29 7/8"
Depth	26 3/4"
Depth With Door 90° Open	47"
Oven Interior Height	18 5/8"
Oven Interior Width	24 3/8"
Oven Interior Depth	19 1/8"
Oven Capacity	5 Cu. Ft.

### Installation

Adjustable Leveling Legs	Yes
Power Supply Connection Location	Bottom Center

For planning purposes only. We reserve the right to change specifications or discontinue models without notice. Refer to Product Installation Guide for detailed installation instructions on the web at [frigidaire.com / frigidaire.ca](http://frigidaire.com/frigidaire.ca)  
Electrolux Major Appliances, N.A.

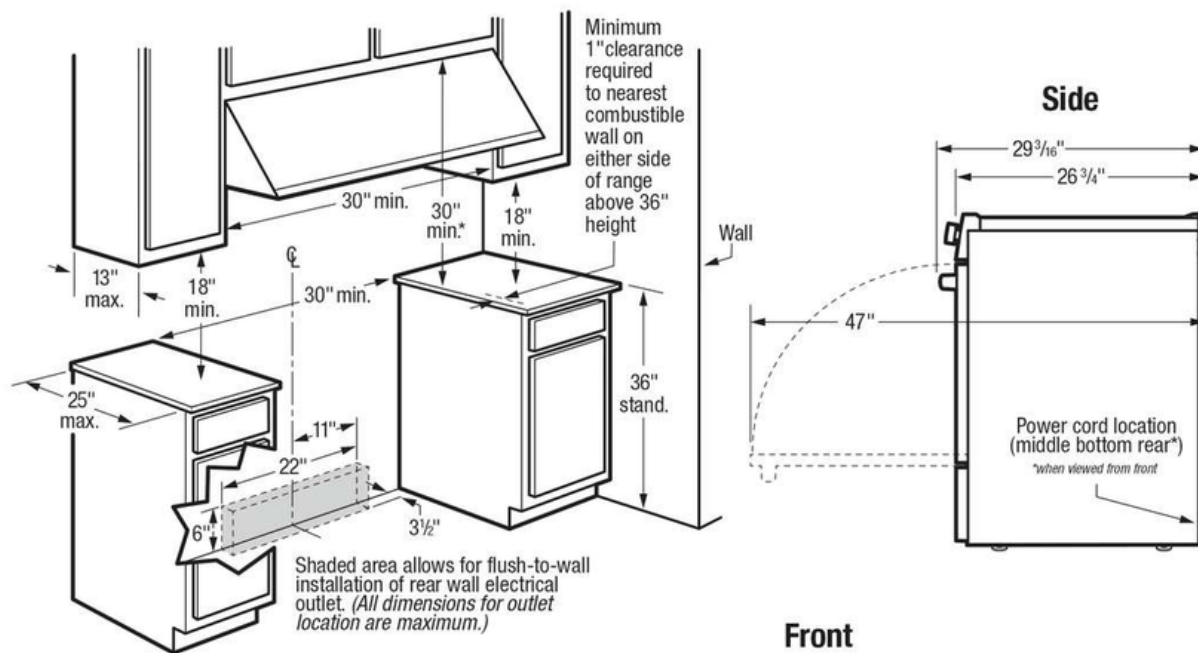
USA • 10200 David Taylor Drive • Charlotte, NC 28262 • Charlotte, NC 28262 • 1-877-4electrolux (1-877-435-3287) • [frigidaire.com](http://frigidaire.com)  
CANADA • 5855 Terry Fox Way • Mississauga, ON L5V 3E4 • 1-800-265-8352 • [frigidaire.ca](http://frigidaire.ca)

**Certifications and Approvals**

ADA Compliant

Yes

**Installation Diagram**



**\*Note:** 30" minimum clearance between top of cooking surface and bottom of unprotected wood or metal overhead cabinet; or 24" minimum clearance when bottom of wood or metal overhead cabinet is protected by not less than 1/4" flame-retardant millboard covered with not less than No. 28 MSG sheet steel, 0.015" stainless steel, 0.024" aluminum or 0.020" copper. 0" clearance is minimum for rear of range. Follow all dimension requirements provided above to prevent property damage, potential fire hazard, and incorrect countertop and cabinet cuts.

