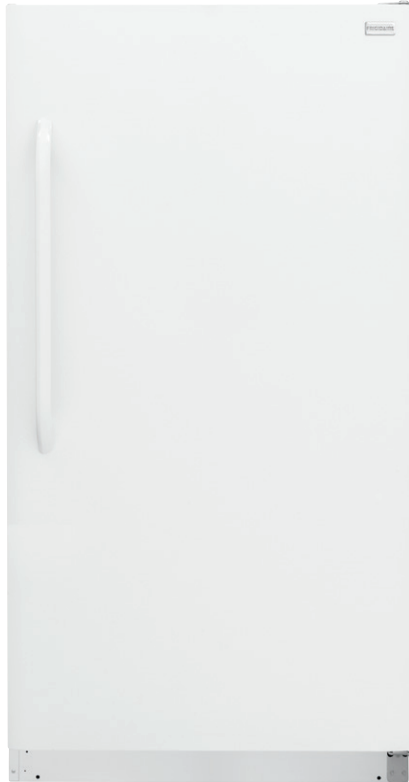


## Freezer

FFFH20D1RW

Frost-Free  
20.2 Cu. Ft. Upright



### Product Dimensions

Height (Including Hinges)	73-3/16"
Width	34"
Depth (Including Door)	30-1/2"

### More Easy-To-Use Features

#### Color-Coordinated Handle

#### Adjustable Temperature Control

Select the correct temperature for your needs.



ENERGY STAR®

#### Available in:



White  
(W)

## Signature Features

### Frost-Free Operation

Never defrost your freezer again so you can spend time on more important things.

### Bright Lighting

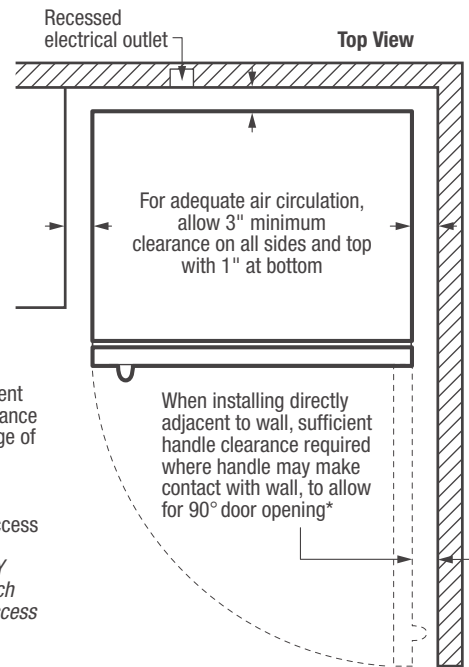
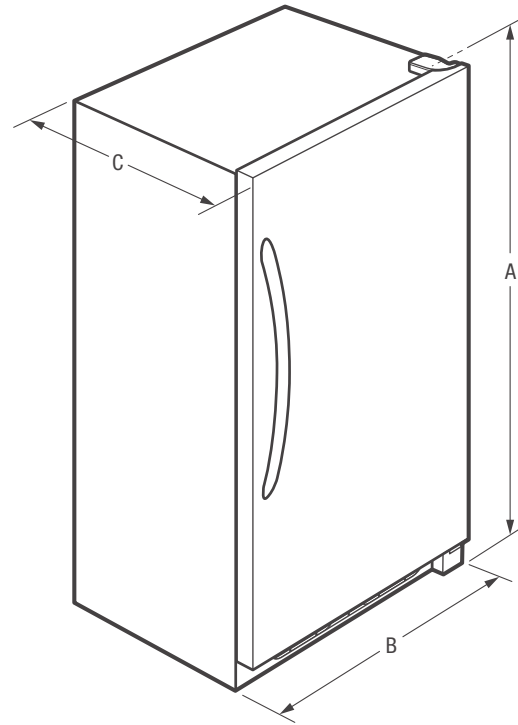
Our bright lighting makes it easy to see what's inside.

### ENERGY STAR®-Qualified

Save money on your utility bills with ENERGY STAR®-Qualified appliances.

Features	
Door Handle Design	Reach-Through
Reversible Door	
Automatic Door Closer	
Leveling Legs	Yes
Lock with Pop-Out Key	
Defrost	Frost-Free
Adjustable Temperature Control	Mechanical Dial
Front Digital Display	
Temp Display Mode	1-7
High-Temp Duration Readout	
High-Temp Alarm	
Door Ajar Alarm	
Airflow Ports	1
Interior Lighting	Bright
Full-Width Adjustable Shelves	
Full-Width Fixed Shelves	4 Wire
Removable Trivet	1
Mid-Level Baskets	
Lower Storage Basket	
Basket Dividers	
Retractable Pizza Shelf	
Full-Width Door Bins	
Fixed Door Racks	6
Defrost Drain	
Power-On Light	
Certifications	
ENERGY STAR®	Yes
CSA Rating	Household
Specifications	
Total Capacity (Cu. Ft.)	20.23
Shelf Area (Sq. Ft.)	13.1
Annual Energy (kWH)	480
Annual Energy Cost (.12/kWH)	\$58
Power Supply Connection Location	Lower Right Rear
Voltage Rating	115V, 60Hz
Connected Load (kW rating) @ 115 Volts¹	.60
Amps @ 115 Volts	5
Minimum Circuit Required (Amps)	15
Shipping Weight (Approx.)	210 Lbs.

¹An electrical supply with grounded three-prong receptacle is required. The power supply circuit must be installed in accordance with current edition of National Electrical Code (NFPA 70) and local codes & ordinances.



\* When installing freezer adjacent to wall, cabinet or other appliance that extends beyond front edge of unit, 20" minimum clearance recommended to allow for optimum 140° door swing, providing complete basket access and removal. (Absolute 3" minimum clearance will ONLY allow for 90° door swing which will provide limited basket access with restricted removal.)

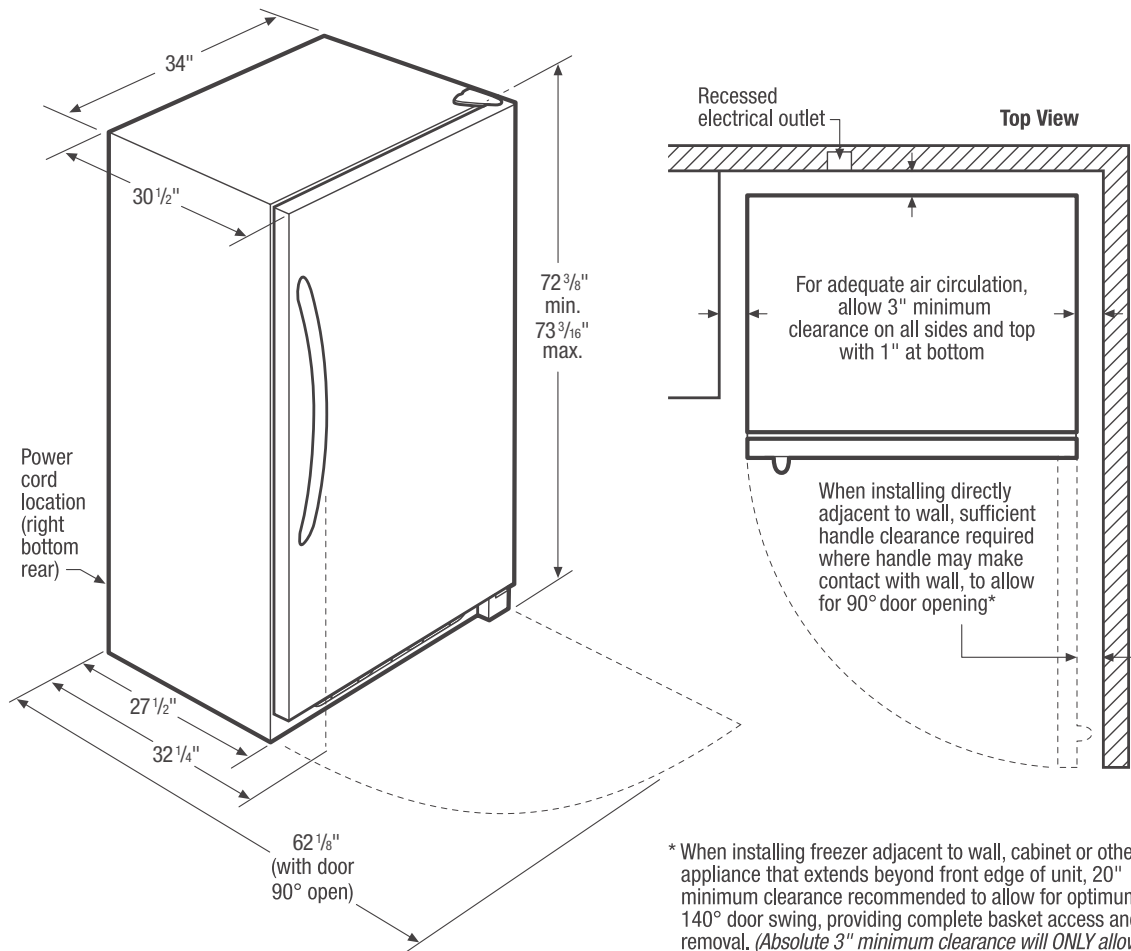
When installing directly adjacent to wall, sufficient handle clearance required where handle may make contact with wall, to allow for 90° door opening\*

NOTE: For planning purposes only. Always consult local and national electric codes. Refer to Product Installation Guide for detailed installation instructions on the web at [frigidaire.com](http://frigidaire.com).



Product Dimensions	
A - Height (Including Hinges)	73-3/16"
B - Width	34"
C - Depth (Including Door)	30-1/2"
Depth with Door Open 90°	62-1/8"

Accessories information available on the web at [frigidaire.com](http://frigidaire.com)



\* When installing freezer adjacent to wall, cabinet or other appliance that extends beyond front edge of unit, 20" minimum clearance recommended to allow for optimum 140° door swing, providing complete basket access and removal. (Absolute 3" minimum clearance will ONLY allow for 90° door swing which will provide limited basket access with restricted removal.)

**Upright Freezer Specifications**

- Product Shipping Weight (approx.) - 210 Lbs.
- An electrical supply with grounded three-prong receptacle is required. The power supply circuit must be installed in accordance with current edition of *National Electrical Code (NFPA 70)* and local codes & ordinances.
- Voltage Rating - 115V, 60Hz
- Connected Load (kW Rating) @115 Volts = 0.60 kW
- Amps @115 Volts = 5 Amps
- Always consult local and national electric codes.
- For adequate air circulation, allow 3" minimum clearance on all sides and top with 1" at bottom.

- When installing freezer adjacent to wall, cabinet or other appliance that extends beyond front edge of unit, 20" minimum clearance recommended to allow for optimum 140° door swing, providing complete basket access and removal. (Absolute 3" minimum clearance will ONLY allow for 90° door swing which will provide limited basket access with restricted removal.)
- Locate where surrounding air temperature will not exceed 110° F, to ensure optimum performance. (Temperatures 32° F and below will NOT affect operation.)
- All bottom corners of unit MUST rest firmly on solid level surface of hard material, same height as flooring. Surface must be strong and stable enough to support unit when fully loaded.
- Equipped with adjustable leveling legs to ensure unit is level, which is required in order to function properly.

**Note:** For planning purposes only. Refer to Product Installation Guide on the web at [frigidaire.com](http://frigidaire.com) for detailed instructions.