



Freezer FFCH16M5QW

Manual Defrost
16 Cu. Ft. Chest



Product Dimensions

| | |
|------------------------|---------|
| Height (Including Lid) | 35" |
| Width | 55-3/4" |
| Depth | 27-1/2" |

More Easy-To-Use Features

Power-On Indicator Light

Know at a glance that your freezer is working.

Colour-Coordinated Handle

Defrost Water Drain

Use the drain to conveniently remove water during defrosting.

Adjustable Temperature Control

Select the correct temperature for your needs.



ENERGY STAR®

Available in:



White
(W)

Signature Features

SpaceWise® Sliding Plastic Basket with Colour-Coordinated Clips

Take organization to the next level with our heavy-duty sliding plastic basket with colour-coordinated clips that snap on and can be used to organize items by categories or purchase date so items are much easier to find.

ENERGY STAR®-Qualified

Maximize your energy and dollar savings with ENERGY STAR®-Qualified Appliances.

Bright LED Lighting

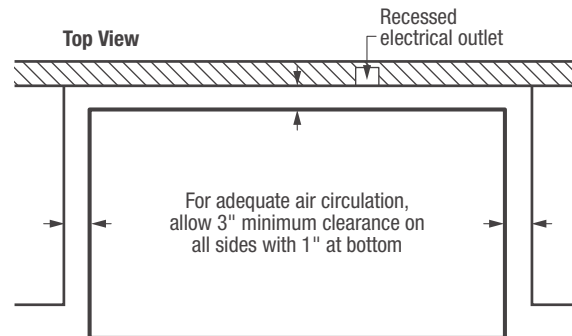
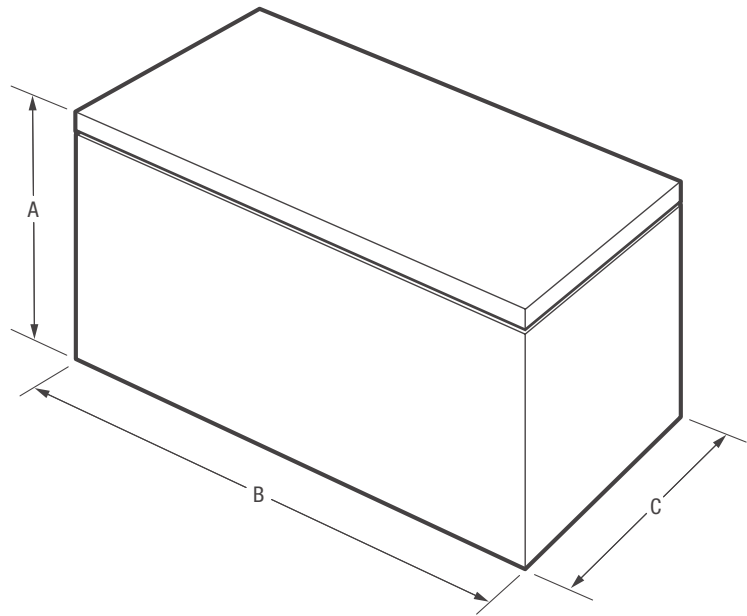
Our bright LED lighting makes it easy to see what's inside.

Lock with Pop-Out Key

The freezer key automatically ejects after locking the door so you won't leave it in the door.

| Features | |
|---|------------------|
| Defrost | Manual |
| Adjustable Temperature Control | Yes |
| Interior Lighting | LED |
| SpaceWise® Sliding Plastic Basket with Colour-Coordinated Clips | 1 |
| Food Organization System | |
| Defrost Water Drain | Yes |
| Lid Handle | Yes |
| Lock with Pop-Out Key | Yes |
| Power-On Light | Yes |
| Certifications | |
| ENERGY STAR® | Yes |
| CSA Rating | Household |
| Specifications | |
| Total Capacity (Cu. Ft.) | 15.6 |
| Annual Energy (kWH) | 275 |
| Annual Energy Cost (.12/kWH) | 33 |
| Power Supply Connection Location | Left Bottom Rear |
| Voltage Rating | 115V / 60Hz / 5A |
| Connected Load (kW rating) @ 115 Volts ¹ | .6 |
| Amps @ 115 Volts | 5 |
| Minimum Circuit Required (Amps) | 15 |
| Shipping Weight (Approx.) | 172 Lbs. |

¹An electrical supply with grounded three-prong receptacle is required. The power supply circuit must be installed in accordance with current local codes & ordinances.



NOTE: For planning purposes only. Always consult local and national electric codes. Refer to Product Installation Guide for detailed installation instructions on the web at frigidaire.ca.



| Product Dimensions | |
|----------------------------|---------|
| A - Height (Including Lid) | 35" |
| B - Width | 55-3/4" |
| C - Depth | 27-1/2" |
| Height with Lid Open 90° | 60-5/8" |

Accessories information available on the web at frigidaire.ca