



Freezer

FFU13M3HW

Manual Defrost
13 Cu. Ft. Upright



Product Dimensions

| | |
|---------------------------|---------|
| Height (Including Hinges) | 60-3/8" |
| Width | 28" |
| Depth (Including Door) | 25-7/8" |

More Easy-To-Use Features

Adjustable Temperature Control
Select the correct temperature for your needs.

Pocket Handle Door

Available in:



White
(W)

Signature Features

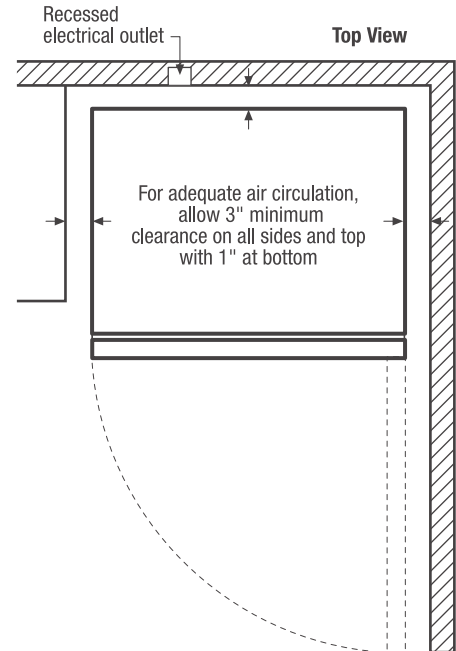
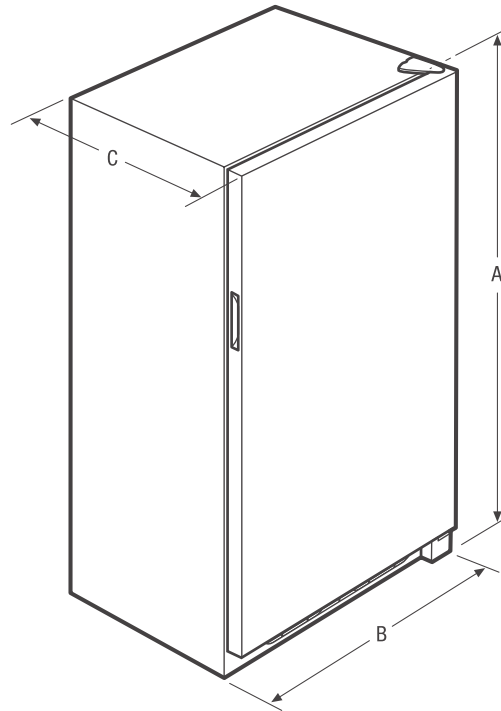
Bright Lighting

Our bright lighting makes it easy to see what's inside.

Defrost Water Drain

Use the drain to conveniently remove water during defrosting.

| Features | |
|---|------------------|
| Door Handle Design | Pocket |
| Reversible Door | |
| Automatic Door Closer | Yes |
| Leveling Legs | Yes |
| Lock with Pop-Out Key | |
| Defrost | Manual |
| Adjustable Temperature Control | Mechanical Dial |
| Front Digital Display | |
| Temp Display Mode | 1-7 |
| High-Temp Duration Readout | |
| High-Temp Alarm | |
| Door Ajar Alarm | |
| Airflow Ports | |
| Interior Lighting | Bright |
| Full-Width Adjustable Shelves | |
| Full-Width Fixed Shelves | 3 Wire |
| Removable Trivet | |
| SpaceWise® Shelf Bookend | |
| Mid-Level Baskets | |
| Lower Storage Basket | 1 |
| Basket Dividers | |
| Retractable Pizza Shelf | |
| Soft Freeze™ Zone | |
| Store-More™ Adjustable Door Bins | |
| Full-Width Door Bins | |
| Store-More™ Tilt-Out Wire Door Bins | |
| Fixed Door Racks | 5 |
| Defrost Drain | |
| Power-On Light | |
| Convertible | |
| Certifications | |
| CSA Rating | Household |
| Specifications | |
| Total Capacity (Cu. Ft.) | 12.5 |
| Shelf Area (Sq. Ft.) | 13.63 |
| Annual Energy (kWH) | 420 |
| Annual Energy Cost (.1065/kWH) | \$45 |
| Power Supply Connection Location | Lower Right Rear |
| Voltage Rating | 120V |
| Connected Load (kW rating) @ 120 Volts ¹ | .60 |
| Amps @ 120 Volts | 5 |
| Minimum Circuit Required (Amps) | 15 |
| Shipping Weight (Approx.) | 165 Lbs. |



¹An electrical supply with grounded three-prong receptacle is required. The power supply circuit must be installed in accordance with current edition of National Electrical Code (NFPA 70) and local codes & ordinances.

NOTE: For planning purposes only. Always consult local and national electric codes. Refer to Product Installation Guide for detailed installation instructions on the web at frigidaire.ca.



| Product Dimensions | |
|-------------------------------|---------|
| A - Height (Including Hinges) | 60-3/8" |
| B - Width | 28" |
| C - Depth (Including Door) | 25-7/8" |
| Depth with Door Open 90° | 52-5/8" |

Accessories information available on the web at frigidaire.ca