



24" Compact Heat Pump Dryer

Dryer

Available Products: ELFE433CAW

Available Colors: White

Version: 01/26

Product Specifications

Dryer

Drum Material	Stainless Steel
Dryness Level Selections	Yes
Lint Filter	Yes

Dryer Options

Child Lock	Yes
Energy Saver	Yes
Extended Tumble	Yes

Controls

Delay Start	Yes
Estimated Time Remaining	Yes
Pause Function	Yes
Power On/Off	Yes
Start	Yes

Electrical Specifications

Voltage Rating	240 V
----------------	-------

Installation

Power Cord Included	Yes
Stackable	Yes
Ventilation Type	Ventless

Performance Certifications and Approvals

ENERGY STAR Certified	Yes
-----------------------	-----

Accessories

Dryer Stacking Kit Capable	Yes
Dryer Stacking Kit Included	Yes

Dryer Cycles

Cycle Count	12
Activewear	Yes
Bedding	Yes
Delicates	Yes
Fast Dry	Yes
Heavy Duty	Yes
Jeans	Yes
Mixed Load	Yes
My Favorite	Yes
Normal	Yes
Timed Dry Time	Yes
Towels	Yes

Dryness Level

High	Yes
Normal	Yes
Less	Yes

Dimensions and Volume

Height	33 3/10"
Width	23 2/5"
Depth	25 1/5"
Dryer Drum Capacity	4.4 Cu. Ft.

Energy Data

kWh/year	275 kWh
----------	---------

General Specifications

Warranty - Labor	1 Year
Warranty - Parts	1 Year

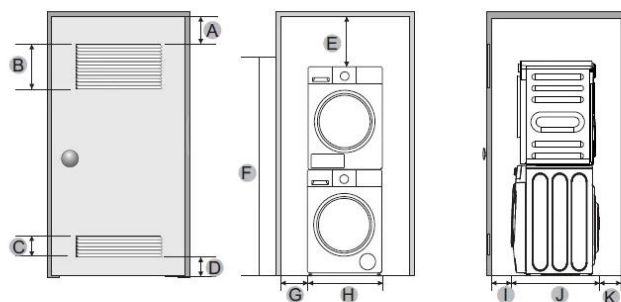
Safety Certifications and Approvals

UL Listed	Yes
-----------	-----

Installation Diagram

INSTALLATION REQUIREMENTS

Installation with stacked washing machine and dryer



A	3in.(76mm)	E	2in.(50.8mm)	I	3in.(76mm)
B	48in. ² (3100mm ²)	F	/	J	25.7 in.(653mm)
C	24in. ² (1550mm ²)	G	1in.(25.4mm)	K	2 in.(50.8mm)
D	3in.(76mm)	H	23.4 in. (595mm)		

NOTE

- The front of the closet must have two unobstructed air openings for a combined minimum total area of 72 sq.in. (465 sq.cm) with a minimum clearance of 3 in. (76mm) at the top and bottom. A slatted door with equivalent space clearance is acceptable.

Alcove or closet or wall insert/recessed installations

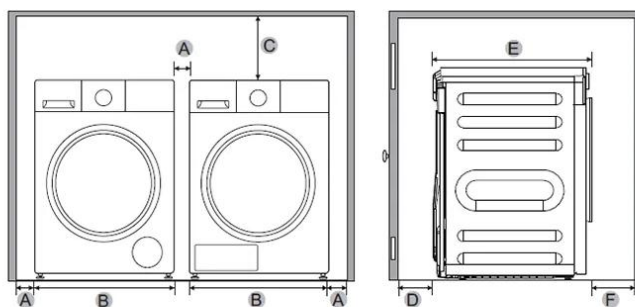


- No other fuel-burning appliance should be installed in the same closet as the dryer.

WARNING

Minimum clearances between the dryer and adjacent walls or other surfaces :

Sides	1 in. (25.4mm)	Rear	2 in.(50.8mm)
Top	2 in. (50.8mm)	Closet front	2 in. (50.8mm)



A	1 in. (25.4mm)	C	2 in.(50.8mm)	E	25.7 in.(595mm)
B	23.4 in. (550mm)	D	2 in. (51mm)	F	2 in. (50.8mm)