



# Single Wall Oven

## CPEW2785KF

27" Electric



### Product Dimensions

Height	29"
Width	27"
Depth	24-1/2"

### More Easy-To-Use Features

#### One-Touch Options

Our ovens feature easy-to-use one-touch buttons so you can cook pizza or chicken nuggets – or even add a minute to the timer – with the touch of a button.

#### Smudge-Proof™ Stainless Steel

Real Stainless Steel with a protective coating reduces fingerprints and smudges so it's easy to clean.

#### Delay Start

Set your oven to begin cooking on your schedule. It can be programmed from one to 24 hours.

#### SpaceWise® Half Rack

Flexible rack system that adjusts to cook multiple dishes at once. Remove the half rack and you'll have extra height for tall dishes.

#### Effortless™ Convection

Takes the guesswork out of convection cooking – our oven does the converting for you.

#### "My Favourite" Setting

Easily program your most used setting with the touch of a button.

#### Even Baking Technology

Our latest technology ensures even baking every time.

#### Auto Oven Shut-Off

As an extra safety measure, the oven will automatically shut off after six hours.

Sabbath Mode (Star-K® Certified)

Available in:



Stainless  
(F)

*\*Based on single rack cooking performance, not set temperature, using PowerPlus® Preheat.*

### Signature Features



#### PowerPlus® Preheat

Preheat in less than six minutes.<sup>1</sup>



#### True Convection

Multi-rack baking is faster and more even with True Convection.



#### Pro-Select® Controls

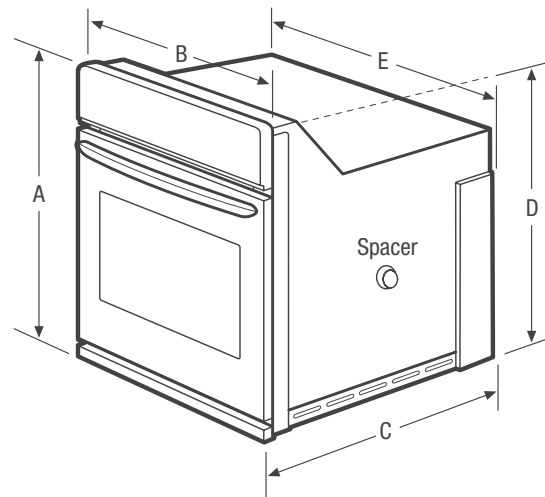
Precise control at your fingertips.



#### One-Touch Keep Warm Setting

Just one touch of a button keeps food warm until everything – and everyone – is ready.

Features	
Oven Control/Timing System	Pro-Select®
Window	Extra-Large with Pro-Tint Finish
Exterior Door Finish	Smudge-Proof™ Stainless Steel
Handle Design	Stainless Steel
Oven Cleaning System	Self Clean
Oven Controls	
Bake/Broil	Yes/Variable (400 - 500 °F)
Effortless™ Convection Conversion	Yes
Convection Bake/Broil/Roast	Yes/Yes/Yes
Oven Preheat	PowerPlus®
My Favourite	Yes
Chicken Nugget Button	Yes
Pizza Button	Yes
Keep Warm	Yes
Add-a-Minute	Yes
Delay Start	Yes
One-Touch Self-Clean	Yes
Clean Option	PowerPlus®
Delay Clean	2, 3, 4 Hours
Kitchen Timer	Yes
Timed Cook Option	Yes
Control Lock	Yes
Auto Oven Shut-Off	Yes
Oven Lock-Out	Yes
Oven Features	
Capacity (Cu. Ft.)	3.5
Convection System	True Convection
Oven Light	2
Hidden Bake Element	Yes
Rack Configuration	1 Heavy Duty, 1 SpaceWise® Half Rack, 1 Offset Rack
Baking System	Even Baking Technology
Broiling System	PowerPlus® Broil
Bake/Broil Element (Watts)	1,450 / 3,400
Optional Accessories	
3"-High Stainless Steel Bottom Trim	(F) PN# 903114-901S
Certifications	
Sabbath Mode (Star-K® Certified)	Yes
Specifications	
Oven Interior (H x W x D)	16-1/2" x 20-1/2" x 18-1/32"
Power Supply Connection Location	Left Bottom Rear
Voltage Rating	240V / 208V / 60Hz
Connected Load (kW Rating) @ 240 / 208 Volts	4.1 / 3.1
Amps @ 240 / 208 Volts	17.1 / 14.9
Minimum Circuit Required (Amps)	20
Approved for Under-Counter Installation	Yes
Shipping Weight (Approx.)	155 Lbs.



NOTE: For planning purposes only. Always consult local and national electric codes. Refer to Product Installation Guide for detailed installation instructions on the web at [frigidaire.ca](http://frigidaire.ca).



Product Dimensions	
A - Height	29"
B - Width	27"
C - Depth	24-1/2"
D - Height (Wrapper)	27-3/16"
E - Width (Wrapper)	24-5/8"
Depth with Door Open 90°	44-1/2"

Cutout Dimensions	
Height (Min.)/(Max.)	27-1/4" / 28-5/8"
Width (Min.)/(Max.)	24-7/8" / 25-1/4"
Depth (Min.)	23-1/2"

Accessories information available on the web at [frigidaire.ca](http://frigidaire.ca)