

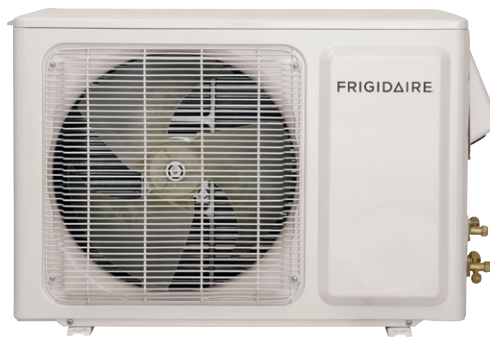
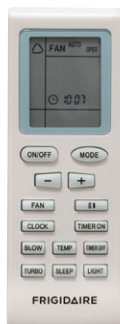
## Home Comfort

FRS224YS2

### Ductless Mini-Split Air Conditioner



FRS224YW2<sup>1</sup> Indoor



FRS224YC2<sup>1</sup> Outdoor

#### Product Dimensions Evaporator (Indoor) Model

Height	12-7/16"
Width	39-11/16"
Depth	8-7/8"

#### Product Dimensions Condenser (Outdoor) Model

Height	31-1/8"
Width	36-1/4"
Depth	14-5/8"

#### More Easy-To-Use Features

##### Effortless™ Restart

Automatically resumes operating at its previous settings when power is restored to your unit.

##### Effortless™ Clean Filter

Our antibacterial filter reduces bacteria, room odors and other airborne particles for a healthier, more comfortable environment.

##### Ready-Select® Controls

Easily select options with the touch of a button.

##### Electronic Controls

Allow you to set the comfort level to your preference, while a convenient temperature readout displays the set temperature.

## Signature Features

### Effortless™ Temperature Control

Our air conditioners maintain the preset room temperature, so you will remain comfortable at all times.

### Programmable 24-Hour On/Off Timer

Customize times to fit your schedule for immediate comfort when you get home. The built-in timer allows you to preset the unit to turn on and off in half-hour increments.

### Remote Control

Allows you to precisely control the temperature and fan speed from across the room.

### Multi-Speed Fan

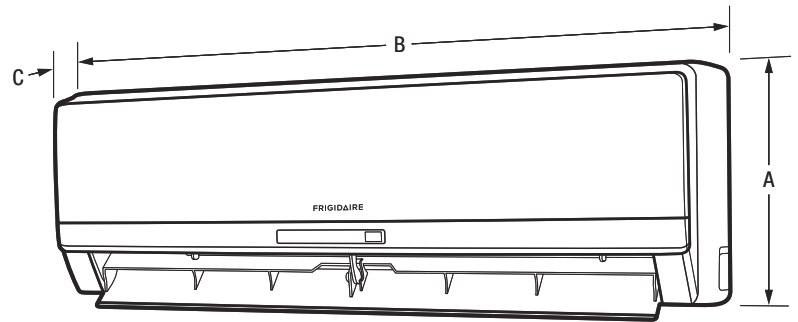
Features three different fan speeds, for more cooling flexibility.

Performance	BTUs
Cool	21,500

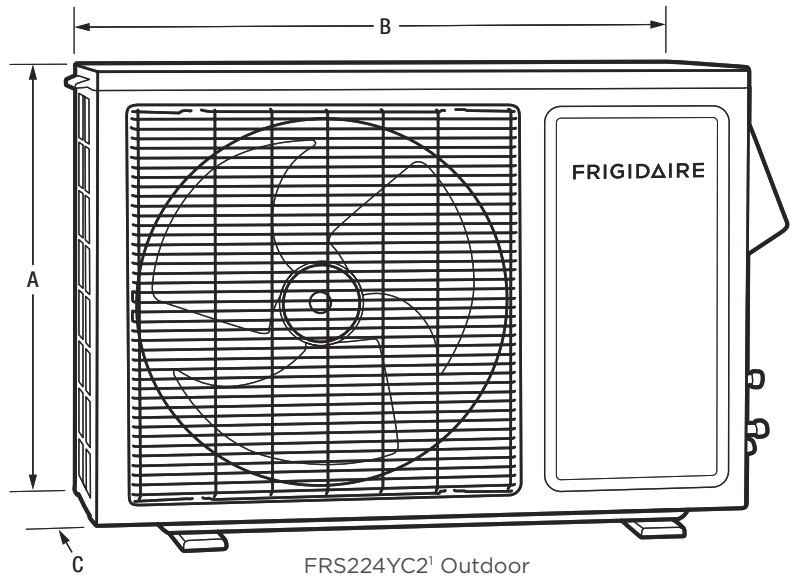
<sup>1</sup>Photo may not represent actual model.

<b>Model Numbers</b>	
System Model Number	FRS224YS2
Indoor Unit Part Number	FRS224YW2
Outdoor Unit Part Number <sup>1</sup>	FRS224YC2
<b>Performance</b>	
BTU (Cool)	21,500
BTU (Heat Pump)	
Cooling Area (Sq. Ft.)	1,430
SEER (Air Conditioner)	18
HSPF (Heat Pump)	
Inverter Technology	Yes
<b>Electrical</b>	
Volts	230V/208V
Min Circuit Ampacity	3.15
Maximum Circuit Breaker	25 A
Rated Amps (Cool)	0.5 / 7.9
Rated Watts (Cool)	38 / 1,835 (320-2,530)
Rated Amps (Heat)	
Rated Watts (Heat)	
<b>Features</b>	
Controls	Ready-Select® Controls
Fan Speeds (Cool/Fan)	3/3
Low Voltage Start-Up	Yes
Turbo Fan	Yes
Auto Fan	Yes
Sleep Mode	Yes
24-Hour On/Off Timer	Yes
Remote Control	Full-Function
Air CFM (High/Med/Low) Indoor	276 / 242 / 207
Air Direction Control (Vert./Horz.)	Yes/Yes
Air Discharge (Full-Width)	Bottom
Filter Type	Antimicrobial Mesh
Filter Access	Slide-Out
dB Indoor(High/Med/Low)	44 / 40 / 35
dB Outdoor	56
Warranty <sup>2</sup>	Yes
<b>Included Accessories</b>	
Drain Kit (Outdoor Unit)	Yes
Installation Plate (Indoor Unit)	Yes
Line Set Kit (Indoor Unit)	Yes
Remote Holder (Indoor Unit)	Yes

<sup>1</sup>Includes 25 ft. line set  
<sup>2</sup>1 yr Full / 5 yr sealed system



FRS224YW2<sup>1</sup> Indoor



FRS224YC2<sup>1</sup> Outdoor



Product Dimensions	
<b>Indoor -</b>	
A - Height	12-7/16"
B - Width	39-11/16"
C - Depth	8-7/8"
<b>Outdoor -</b>	
A - Height	31-1/8"
B - Width	36-1/4"
C - Depth	14-5/8"

<sup>1</sup>Illustration may not represent actual model.  
 All refrigeration and electrical work must be performed by a certified and licensed refrigeration technician for full parts and labor warranty validation. Insulated line sets and control wires are required and available for Frigidaire split systems in 25 ft. length. Each line set is equipped with flare nuts on both ends. Each system requires one line set for each indoor unit installed.

Accessories information available on the web at [frigidaire.com](http://frigidaire.com)

# Ductless Mini-Split System Air Conditioner Submittal Sheet

# FRIGIDAIRE

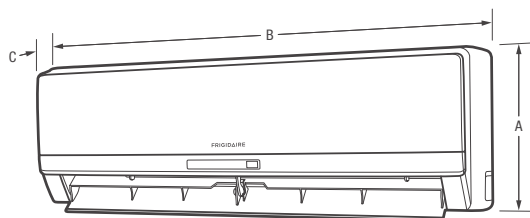
## FRS224YS2

Job: \_\_\_\_\_ Reference: \_\_\_\_\_ Construction: \_\_\_\_\_  
 Location: \_\_\_\_\_ Approval: \_\_\_\_\_ Unit Number: \_\_\_\_\_  
 Engineer: \_\_\_\_\_ Date: \_\_\_\_\_ Drawing Number: \_\_\_\_\_  
 Submitted to: \_\_\_\_\_ Submitted by: \_\_\_\_\_

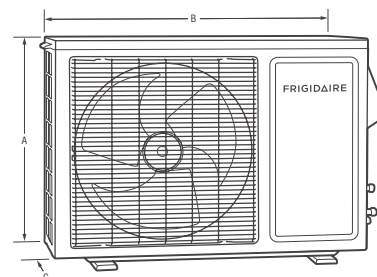
Power	
Min Circuit Ampacity	12.8 A
Maximum Circuit Breaker	25 A
Capacities	
Cooling	21,500 BTU
Cooling Watts	1,790 W
Min/Max Cooling	9,600 BTU/25,000 BTU
Heatpump Capacity (BTU)	
HSPF	
Outdoor Sound Rating	56 dB (A)
SEER	18.0
EER	12.0
Low Ambient Temperature	5° F ≤ T ≤ 115° F
Voltage/Frequency/Phase	230/208/60Hz/1P
Dehumidification	5.28 PT/H

Indoor Unit	
<b>FRS224YW2</b>	
Dimensions (H x W x D)	12-7/16" x 39-11/16" x 8-7/8"
Max. Wall Thickness	18"
Sound Rating	48/44/40/35
Net Weight	35 lb
Shipping Weight	46 lb
Fan Motor Load	.47 A
Number of Fan Speeds	4
Fan Type	Cross-flow
RPM at High Speed (cool)	1,400 RPM
Coil Type	aluminum fin & copper tube
Fin Type	coated fin
Pipe Type	copper internal thread
Fin Rows (FPI)	2
Tube Diameter	ϕ 7.15 mm (9/32")
Drain Connection Size	ϕ 16 mm (5/8")
Compressor	
Compressor Type	Twin Rotary
Compressor Control	DC Inverter
Compressor Load	8.4 A
Locked Rotor Amps	41 A

Outdoor Unit	
<b>FRS224YC2</b>	
Dimensions (H x W x D)	31-1/8" x 36-1/4" x 14-5/8"
Sound Rating	56 dB (A)
Net Weight	119 lb
Shipping Weight	132 lb
Fan Motor Load	14 A
Drive Type	dc motor
CFM (high)	2,500
Fan Type	Axial-flow
Fan Diameter/Number of Speeds	20-1/2"/2
Number of Poles and RPM	2 (780/500)
Coil Type	aluminum fin & copper tube
Fin Type	coated fin
Pipe Type	copper internal thread
Fin Rows (FPI)	2
Tube Size	ϕ 7.15mm (9/32")
Features	
Controls	microprocessor
Remote Control	lcd wireless
Temperature Control	61-86°F (16-30°C)
Timer	24 hr
Air Louvers	3 pieces
Horizontal	manual
Vertical	swing
Low Voltage Restart	built-in
Self-Diagnosis	yes
Air Filter	washable, anti-mold
Refrigerant System	
Refrigerant	R410A
Ounces	63.49
Lineset	25 ft
Maximum Height	49 ft
Maximum Line Length	98 ft
Discharge Vapor Line (od)	6 mm (1/4")
Suction (od)	16 mm (5/8")
OPERATING RANGE	
Indoor Air Cooling Intake Temp Range	90°F - 41°F db/wb
Indoor Air Heating Intake Temp Range	
Outdoor Air Cooling Intake Temp Range	115°F - 41°F db/wb
Outdoor Air Heating Intake Temp Range	



FRS224YW2<sup>1</sup> Indoor



FRS224YC2<sup>1</sup> Outdoor

<sup>1</sup>Illustration may not represent actual model.

### FRIGIDAIRE

USA • 10200 David Taylor Drive • Charlotte, NC 28262 • 1-800-FRIGIDAIRE • [frigidaire.com](http://frigidaire.com)  
 CANADA • 5855 Terry Fox Way • Mississauga, ON L5V 3E4 • 1-800-265-8352 • [frigidaire.ca](http://frigidaire.ca)

FRS224YS2 11/15

© 2015 Electrolux Home Products, Inc.



Specifications  
subject to change.