

Dishwasher

LFBD2409LF

24" Built-In



Product Dimensions

Height (Adjustable)	33-1/2" - 35"
Width	24"
Depth (Including Door)	25"

More Easy-To-Use Features

Energy Saver Dry Option
No heat dry option.

2-4-6 Hour Delay Start
Set your dishwasher to run on your schedule.

NSF® Certified
Sanitize cycle removes 99.9% of common household bacteria.

Attractive Stainless Steel Exterior

SpaceWise® Silverware Basket
There's a place for all of your silverware in our multi-compartment, removable basket.

5 Wash Cycle Options

Ready-Select® Controls
Easily select options with the touch of a button.

High Temperature Wash

Control Lock Option

Signature Features

EasyCare™ Stainless Steel

Lowe's-exclusive EasyCare™ Stainless Steel resists fingerprints and cleans easily.

Quiet Dishwasher

Energy Saver Plus Cycle

Eco-friendly cycle uses less energy without compromising cleaning performance.

Fits-More™ Capacity

Our large capacity, tall-tub dishwasher fits up to 14 place settings so you can wash even more at once.

ENERGY STAR®

NSF® International Certification

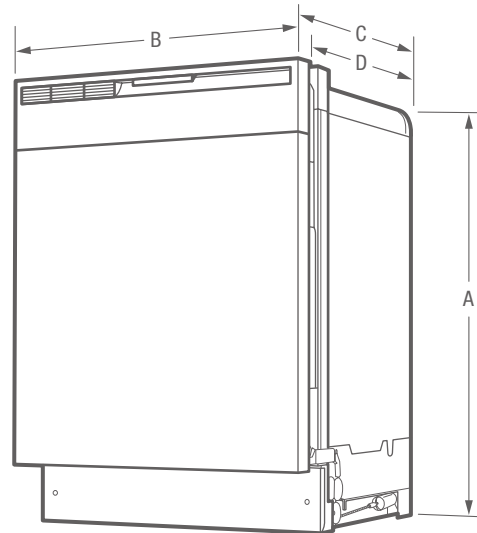


Available in:

EasyCare™
Stainless Steel

Features	
Control Design	Ready-Select®
Digital Display	
Door Latch	Yes
Stay-Put Door Hinge Design	Yes
Low Rinse-Aid Indicator Light	
Interior Design	Tall Tub
Interior Color	White
Wash System	Direct Feed
Wash Levels/Wash Speeds	5/1
Sound Package	UltraQuiet™ III
Filter	Plastic
Filter Trap	Removable
Soft Food Disposer	Yes
dB Level	55
Drying System	Active Vent
Cycles	
Number of Cycles	5
Heavy	Yes
Normal	Yes
Light	Yes
Delicate	
Favorite	
China/Crystal	
Rinse Only	Yes
Energy Saver Plus	Yes
Upper Rack Wash Only	
Cycle Indicator Light	Yes
Control Lock	Yes
Options	
Heat/No Heat Dry	Yes
Hi-Temp Wash	Yes
NSF® Certified Sanitize Rinse	Yes
Delay Start	2-4-6 Hour
Rack System	
Rack Design/Rack Coating	Better Rack System/PVC
Upper Rack -	
Stemware/Champagne Glass Holders	
Fold-Down Tines	
Cup Shelves	
Lower Rack -	
SpaceWise® Silverware Basket	Ultra I
Fold-Down Tines	
Small Items Cover	
Certifications	
ENERGY STAR®	Yes
NSF® International Certification	Yes
Specifications	
Water Inlet Location	Left Bottom Front
Water Usage (Gallons)	6.0
Water Pressure (PSI)	20 - 120
Integral Air Gap on Supply	Yes
Leveling Legs	4
Power Supply Connection Location	Right Bottom Front
Voltage Rating	120V/60 Hz/15A
Connected Load (kW Rating) @ 120 Volts¹	1.44
Amps @ 120 Volts	10
Shipping Weight (Approx.)	64 Lbs.

¹For use on adequately wired 120V, dedicated circuit having 2-wire service with a separate ground wire. Appliance must be grounded for safe operation.



NOTE: For planning purposes only. Always consult local and national electric and plumbing codes. Refer to Product Installation Guide for detailed installation instructions on the web at frigidaire.com.

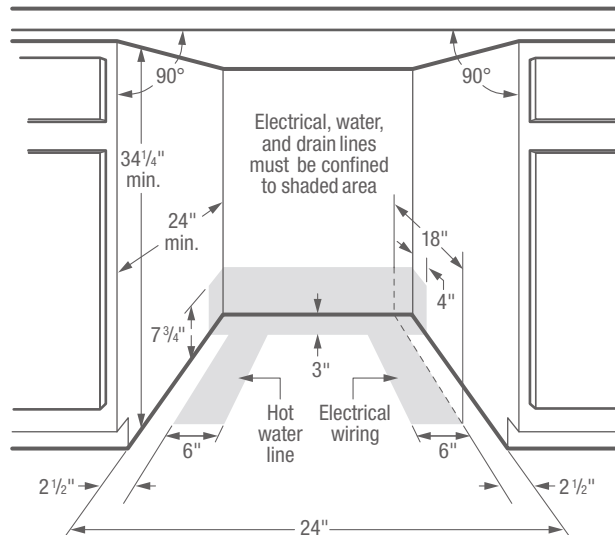
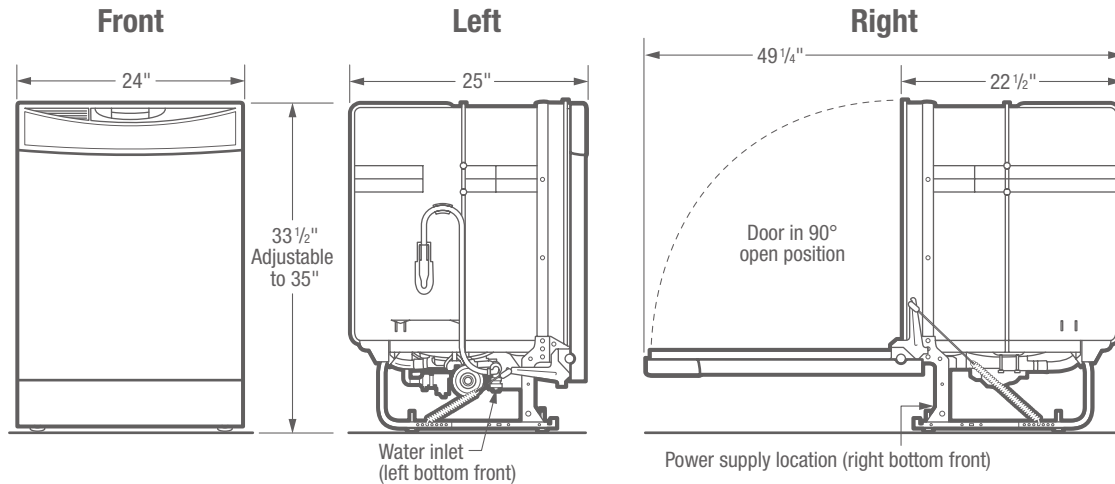


Meets requirements of ASSE 1006

Product Dimensions	
A - Height (Adjustable)	33-1/2" - 35"
B - Width	24"
C - Depth (Including Door)	25"
D - Depth (To Tub Flange)	22-1/2"
Depth with Door Open 90°	49-1/4"

Cutout Dimensions	
Height (Min.)	34-1/4"
Height (Max.)	35-1/4"
Width (Min.)	24"
Depth (Min.)	24"

Accessories information available on the web at frigidaire.com



Dishwasher Specifications

- Product Shipping Weight (approx.) - 64 Lbs.
- Voltage Rating - 120V / 60 Hz / 15 Amps (*maximum 20 Amps if connected with disposer*)
- Connected Load (kW Rating) @ 120 Volts = 1.44 kW
(For use on adequately wired 120V, dedicated circuit having 2-wire service with a separate ground wire. Appliance must be grounded for safe operation.)
- Amps @ 120V = 10 Amps
- Always consult local and national electric & plumbing codes. Meets requirements of ASSE 1006 – integral air gap on supply.
- Water Pressure - Hot water line to dishwasher must provide between 20 and 120 pounds per square inch (psi) with at least 120° F hot water temperature.
- Make sure location has correct drain, water and electrical outlets to make connections.
- Electrical and water supplies should enter cabinet opening on floor, or through back or side walls, as shown in shaded areas.
- Keep back free of drain, water & electrical supply.
- Connections preferably located toward left side of dishwasher. Do not cross drain, water or electrical lines in front of motor, blower or frame.
- If connecting drain hose to sink trap, local code may require installation of Air Gap Kit (*not included*).
- Leveling legs supplied to adjust height.
- When installing adjacent to wall, cabinet or other obstruction that extends beyond front edge of unit, allow 2" minimum clearance between opened door and obstruction.
- Floor should be flat and free of obstructions.
- When installing at end of cabinet line, sides and back must be fully enclosed.
- Do not install unit under a cooktop, damage will occur.
- Recommended to seal cabinets, enclosing all sides of dishwasher, including underside of countertop, with oil-based paint or moisture-proof polyurethane to prevent possible steam/moisture damage.

Note: For planning purposes only. Refer to Product Installation Guide on the web at frigidaire.com for detailed instructions.