



Single Wall Oven

CPEW3085KF

30" Electric



Product Dimensions

Height	29"
Width	30"
Depth	24-1/2"

More Easy-To-Use Features

One-Touch Options

Our ovens feature easy-to-use one-touch buttons so you can cook pizza or chicken nuggets — or even add a minute to the timer — with the touch of a button.

Smudge-Proof™ Stainless Steel

Real Stainless Steel with a protective coating reduces fingerprints and smudges so it's easy to clean.

Delay Start

Set your oven to begin cooking on your schedule. It can be programmed from one to 24 hours.

SpaceWise® Half Rack

Flexible rack system that adjusts to cook multiple dishes at once. Remove the half rack and you'll have extra height for tall dishes.

Effortless™ Convection

Takes the guesswork out of convection cooking — our oven does the converting for you.

"My Favourite" Setting

Easily program your most used setting with the touch of a button.

Even Baking Technology

Our latest technology ensures even baking every time.

Auto Oven Shut-Off

As an extra safety measure, the oven will automatically shut off after six hours.

Sabbath Mode (Star-K® Certified)

Available in:



Stainless
(F)

Based on single rack cooking performance, not set temperature, using PowerPlus® Preheat.

Signature Features



PowerPlus® Preheat

Preheat in less than six minutes.¹



PowerPlus® Convection

You can roast to tender, juicy perfection in less time.



Pro-Select® Controls

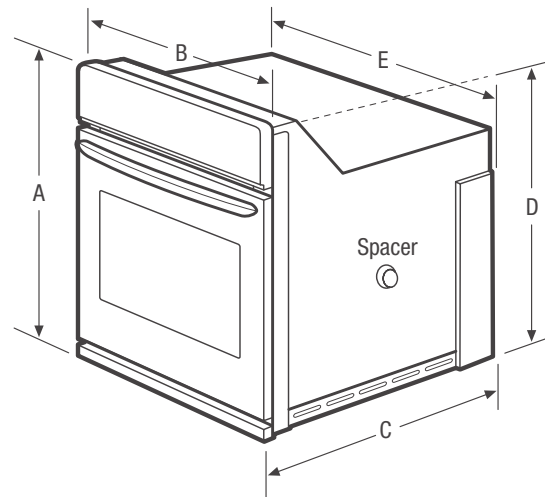
Precise control at your fingertips.



One-Touch Keep Warm Setting

Just one touch of a button keeps food warm until everything — and everyone — is ready.

Features	
Oven Control/Timing System	Pro-Select®
Window	Extra-Large with Pro-Tint Finish
Exterior Door Finish	Smudge-Proof™ Stainless Steel
Handle Design	Stainless Steel
Oven Cleaning System	Self Clean
Oven Controls	
Bake/Broil	Yes/Variable (400 - 500 °F)
Effortless™ Convection Conversion	Yes
Convection Bake/Broil/Roast	Yes/Yes/Yes
Oven Preheat	PowerPlus®
My Favourite	Yes
Chicken Nugget Button	Yes
Pizza Button	Yes
Keep Warm	Yes
Add-a-Minute	Yes
Delay Start	Yes
One-Touch Self-Clean	Yes
Clean Option	PowerPlus®
Delay Clean	2, 3, 4 Hours
Kitchen Timer	Yes
Timed Cook Option	Yes
Control Lock	Yes
Auto Oven Shut-Off	Yes
Oven Lock-Out	Yes
Oven Features	
Capacity (Cu. Ft.)	4.2
Convection System	PowerPlus® Convection
Oven Light	2
Hidden Bake Element	Yes
Rack Configuration	1 Heavy Duty, 1 SpaceWise® Half Rack, 1 Offset Rack
Baking System	Even Baking Technology
Broiling System	PowerPlus® Broil
Bake/Broil Element (Watts)	2,200 / 4,000
Optional Accessories	
3"-High Stainless Steel Bottom Trim	PN# 903114-910S
Certifications	
Sabbath Mode (Star-K® Certified)	Yes
Specifications	
Oven Interior (H x W x D)	16-1/2" x 24-1/8" x 18-1/32"
Power Supply Connection Location	Left Bottom Rear
Voltage Rating	240V / 208V / 60Hz
Connected Load (kW Rating) @ 240 / 208 Volts	5.0 / 3.8
Amps @ 240 / 208 Volts	20.8 / 18.3
Minimum Circuit Required (Amps)	20
Approved for Under-Counter Installation	Yes
Shipping Weight (Approx.)	175 Lbs.



NOTE: For planning purposes only. Always consult local and national electric codes. Refer to Product Installation Guide for detailed installation instructions on the web at frigidaire.ca.



Product Dimensions		Cutout Dimensions	
A - Height	29"	Height (Min.)/(Max.)	27-1/4" / 28-5/8"
B - Width	30"	Width (Min.)/(Max.)	28-1/2" / 29"
C - Depth	24-1/2"	Depth (Min.)	23-1/2"
D - Height (Wrapper)	27-3/16"		
E - Width (Wrapper)	28-1/4"		
Depth with Door Open 90°	44-1/2"		

Accessories information available on the web at frigidaire.ca