

FRIGIDAIRE

FFTR1832QF

Available Colors : Stainless Steel

Version : 07/19

Top Freezer Refrigerator

18 Cu. Ft. Top Freezer Refrigerator



Product Specifications

Refrigerator

1-Gallon Door Bins	1
Crispers	2 Clear
Dairy Compartment	Clear
Fixed Door Bins	3 Full-Width
Humidity Controls	2
Lighting Design	LED
Meat/Deli Drawer	Half-Width Deli
Sliding Shelves	2 Full-Width
SpillSafe® Glass Shelves	Yes

Certifications & Approvals

ADA Compliant - All Brands	Yes
CSA Listed	Yes
ENERGY STAR® Certified	No

Electrical Specifications

Amps @ 120 Volts	6A
Connected Load @ 120V	0.72kW
Connection Location	Right Bottom Rear
Min Circuit Required	15A
Voltage Rating	120V 60Hz

General Specifications

Annual Energy (kWH)	404
---------------------	-----

Dimensions: Exterior

Cabinet Depth	26-7/8"
Cabinet Depth (w/ Door)	30-1/8"
Cabinet Depth (w/ Door)	30-1/8"
Cabinet Depth (w/Handle)	32-5/8"
Cabinet Depth (w/Handle)	32-5/8"
Cabinet Height	65-3/8"
Cabinet Height (w/Covers)	66-5/8"
Cabinet Height(w/ Covers)	66-5/8"
Cabinet Width Door Edge	30"
Case Width	30"
Depth	30-1/8"
Depth(w/ 90° Door Open)	58-1/2"
Height	66-5/8"
Height (Top of Door)	66-5/8"
Width	30"

Controls

Control Location	Mid Control
Control Type	ElectroMechanical

Freezer

Defrost	Frost Free
Fixed Door Bins	2 Full-Width
Fixed Shelves	1 Full-Width Wire

Exterior

Door Stops	Yes
Door Style	UltraSoft™
Front Rollers	Fixed
Rear Rollers	Yes
Reversible Door	Yes

Capacities

Freezer (Cu. Ft.)	3.9
Fresh Food Capacity (Cu Ft)	14.1
Total Capacity - Cu. Ft.	18.0

Ice Maker

Ice Maker	Optional IME2C000
-----------	-------------------

Note: For planning purposes only. Always consult local and national electric, gas and plumbing codes. Refer to Product Installation Guide for detailed installation instructions on the web at frigidaire.com/frigidaire.ca. Specifications subject to change. Accessories information available on the web at frigidaire.com/frigidaire.ca

FFTR1832QF

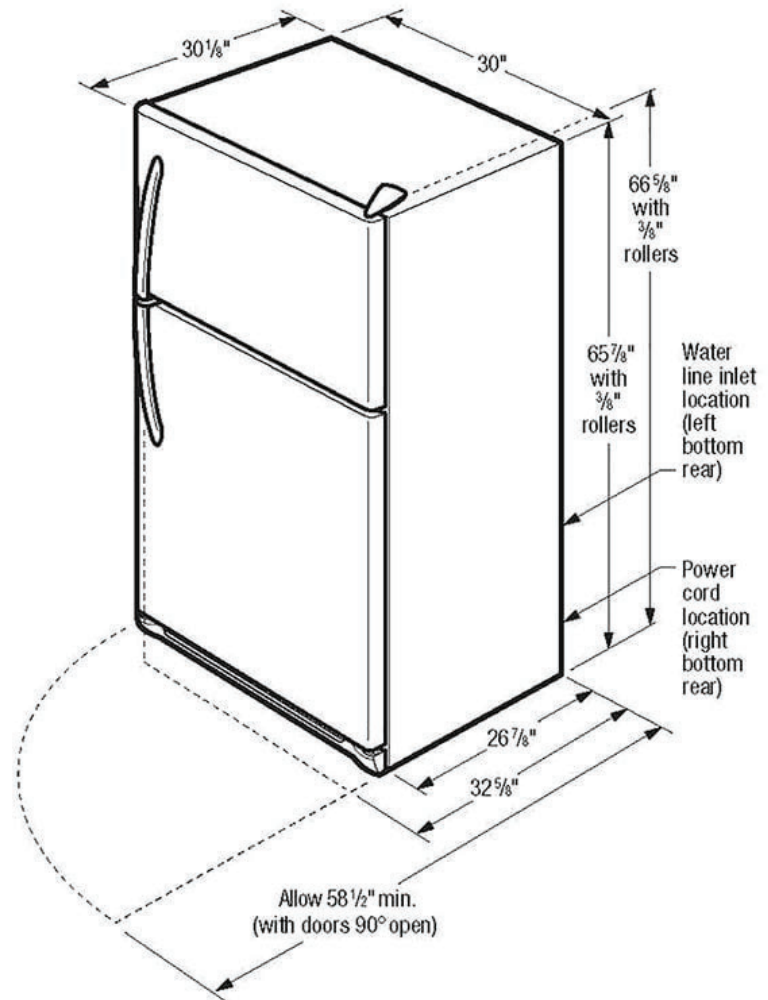
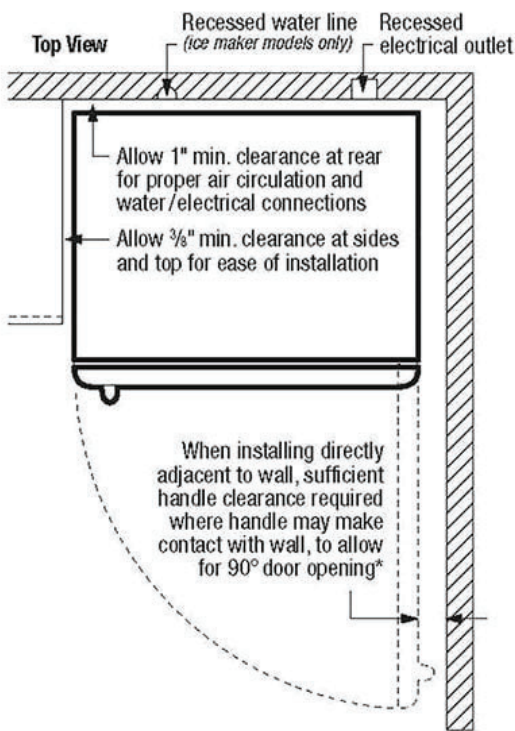
Available Colors : Stainless Steel

Version : 07/19

Top Freezer Refrigerator

18 Cu. Ft. Top Freezer Refrigerator

Installation Drawing



*When installing refrigerator adjacent to wall, cabinet or other appliance that extends beyond front edge of unit, 20" minimum clearance recommended to allow for optimum 140° door swing, providing complete crisper access and removal. (Absolute 3" minimum clearance will ONLY allow for 90° door swing which will provide limited crisper access with restricted removal.)

Note: For planning purposes only. Always consult local and national electric, gas and plumbing codes. Refer to Product Installation Guide for detailed installation instructions on the web at frigidaire.com/frigidaire.ca. Specifications subject to change. Accessories information available on the web at frigidaire.com/frigidaire.ca