



Freestanding Range

FPIF3093L F

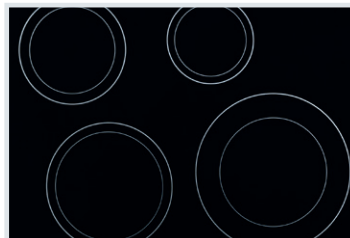


Signature Features



Cooking Versatility

Gentle enough to melt chocolate and powerful enough to boil water, so it's great for entertaining or getting dinner on the table quickly.



Versatile Induction Elements

Features four elements with induction technology, including a powerful 10" element with up to 3,400 watts of power to bring water to a boil quickly.



Fits-More™ Oven

More cooking space – plus even cooking.



True Convection

Multi-rack baking is faster and more even with True Convection.

Product Dimensions

Height (Max.)	47-3/4"
Width	29-7/8"
Depth (Including Handle)	28-7/8"

More Easy-To-Use Features

More Responsive

Cooking with induction is more responsive than gas or electric so you can easily go from simmer to boil.

Pro-Select® Controls

Precise control at your fingertips.

Cookware Compatibility

Most stainless steel and cast iron cookware is compatible with induction elements. An easy rule of thumb: if a magnet sticks to the bottom of the cookware, it's induction-friendly.

PowerPlus® Boost

Generates rapid heat for a quicker boil.

More Energy-Efficient

Cooking with induction is 70% more efficient than gas and 20% more efficient than electric.

Keep Warm Drawer

A place to keep food warm until everything – and everyone – is ready.

One-Touch Keep Warm Setting

Just one touch of a button keeps food warm until everything – and everyone – is ready.

One-Touch Options

Our ovens feature easy-to-use one-touch buttons so you can cook pizza or chicken nuggets – or even add a minute to the timer – with the touch of a button.

Sabbath Mode (Star-K® Certified)

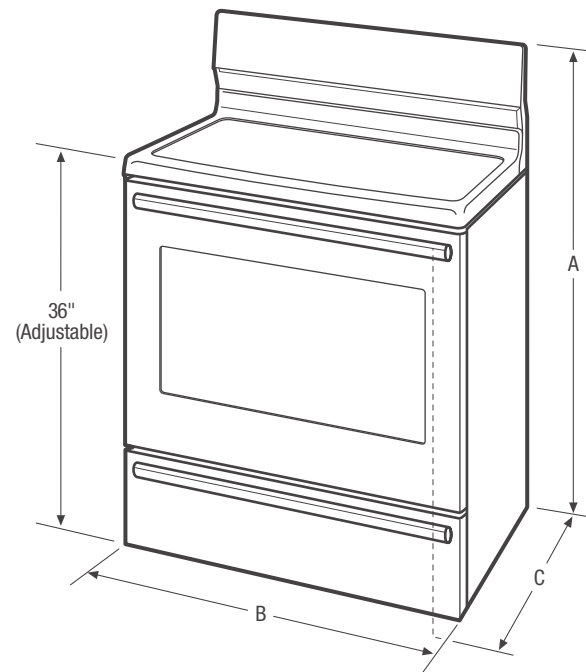
Available in:



Stainless
(F)

Elements	Size	Watts
Right Front	Induction 10"	2,400/3,400
Right Rear	Induction 6"	1,500/1,900
Left Front	Induction 8"	2,400/3,400
Left Rear	Induction 7"	1,900/2,600

Features	
Oven Control/Timing System	Pro-Select® Controls
Surface Type	Black Ceramic Glass
Window	Wide-View with Pro-Tint Finish
Exterior Door Finish	Smudge-Proof Stainless Steel
Handle Design	Stainless Steel
Exterior Finish (Side Panels)	Black
Convection System	True Convection
Oven Cleaning System	Self Clean
Drawer Functionality	Warmer
Oven Controls	
Bake/Broil	Yes / Variable (400 - 500 °F)
Effortless™ Convection Conversion	Yes
Convection Bake/Broil/Roast	Yes/Yes/Yes
Quick Bake Convection	
PowerPlus® Preheat	Yes
My Favorite	Yes
Chicken Nugget Button	Yes
Pizza Button	Yes
Keep Warm	Yes
Add-a-Minute	Yes
Delay Bake	Yes
Self Clean	Yes
Rapid Clean Option	Yes
Delay Clean	2, 3, 4 Hours
Kitchen Timer/Timed Cook Option	Yes/Yes
Auto Oven Shut-Off	6 Hours
Oven Lock-Out	Yes
Lower Drawer Control	Warmer, Low-Med-High
Cooktop Features	
Right Front Element (Watts)	Induction 10" - 2,400/3,400
Right Rear Element (Watts)	Induction 6" - 1,500/1,900
Left Front Element (Watts)	Induction 8" - 2,400/3,400
Left Rear Element (Watts)	Induction 7" - 1,900/2,600
Bridge Element (Watts)	
Center Element (Watts)	
Oven Features	
Capacity (Cu. Ft.)	6.0
Oven Light	1
Hidden Bake Element	Yes
Rack Configuration	1 Heavy-Duty, 1 SpaceWise® Half Rack, 1 Effortless™, 1 Deep-Sump
Baking System	Even Baking Technology
Broiling System	PowerPlus® Broil
Bake Element/Broil Element (Watts)	3,500/3,900
Drawer Racks	
Certifications	
Sabbath Mode (Star-K® Cert.)	Yes
Specifications	
Oven Interior (H x W x D)	15-3/4" x 24-3/8" x 17-3/4"
Power Supply Connection Location	Middle Bottom Rear
Voltage Rating	240V / 208V / 60Hz
Connected Load (kW Rating) @ 240/208 Volts	15.0/11.5
Minimum Circuit Required (Amps)	40
Shipping Weight (Approx.)	220 Lbs.



NOTE: For planning purposes only. Always consult local and national electric codes. Refer to Product Installation Guide for detailed installation instructions on the web at frigidaire.com.



Product Dimensions	
A - Height (Max.)	47-3/4"
B - Width	29-7/8"
C - Depth (Including Handle)	28-7/8"
Depth with Door Open 90°	48-3/4"

Cabinet Cutout Dimensions	
Height (Standard)	36"
Width (Min.)	30"
Depth (Min.)	24"

Accessories information available on the web at frigidaire.com

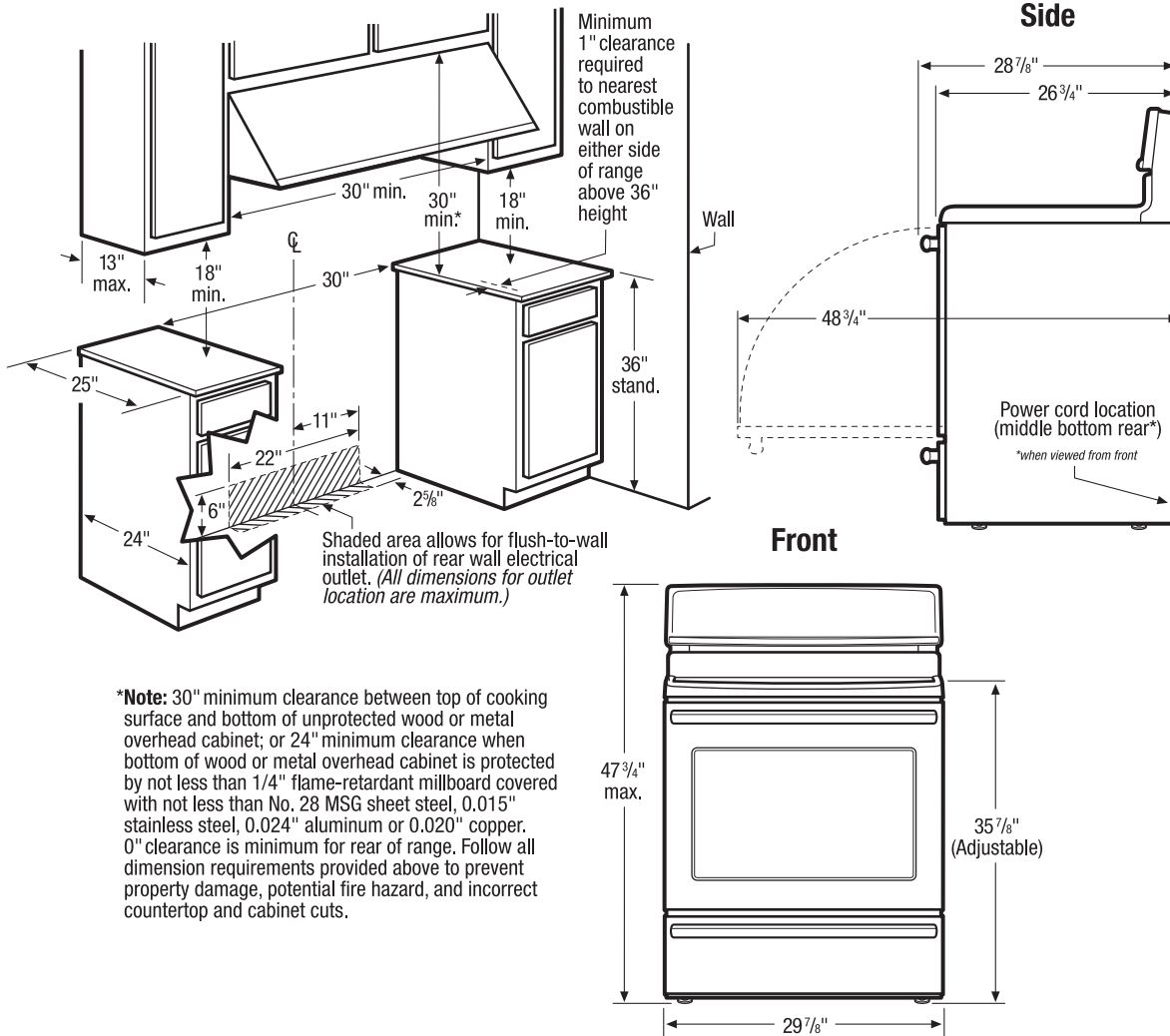
FRIGIDAIRE

USA • 10200 David Taylor Drive • Charlotte, NC 28262 • 1-800-FRIGIDAIRE • frigidaire.com
 CANADA • 5855 Terry Fox Way • Mississauga, ON L5V 3E4 • 1-800-265-8352 • frigidaire.ca

FPIF3093L 10/11

© 2011 Electrolux Home Products, Inc.

Specifications subject to change.



Freestanding Range Specifications

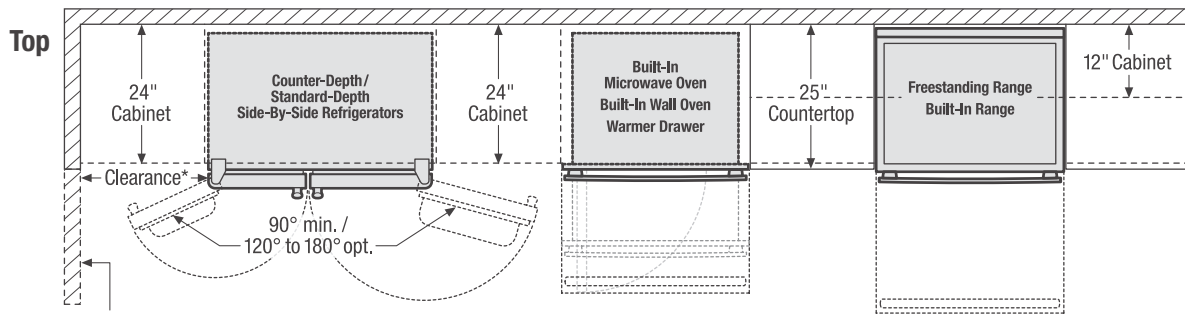
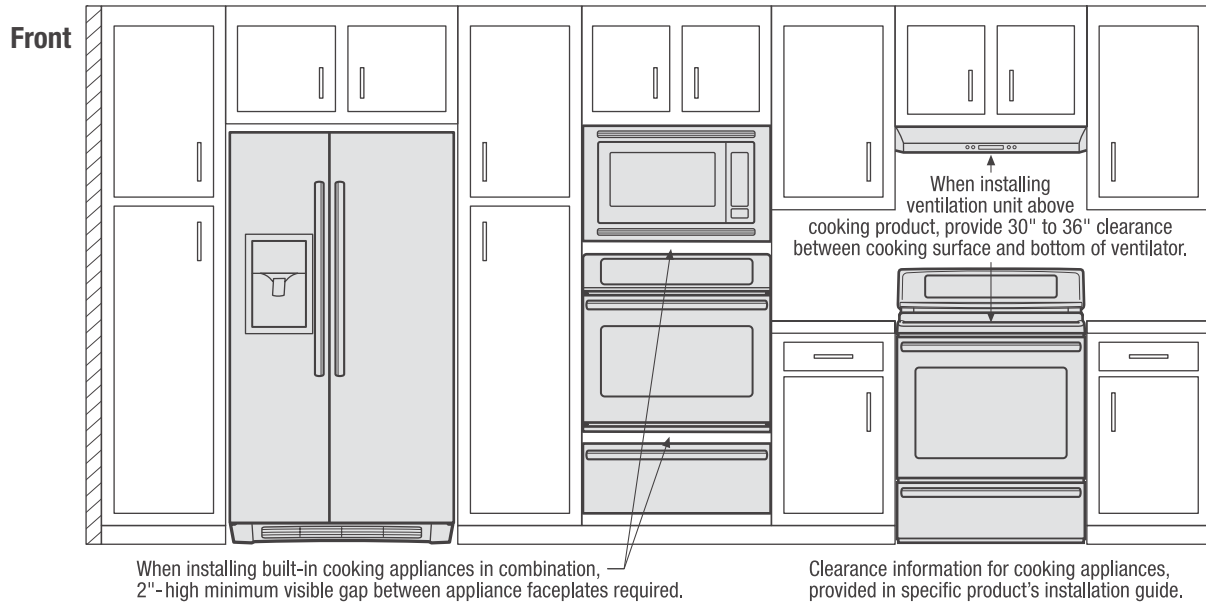
- Product Shipping Weight (approx.) - 220 Lbs.
- Single phase 3- or 4-wire cable, 120/240 or 120/208 Volt, 60 Hertz, fused on both sides of line with ground.
- Connected Load (kW Rating) @ 240/208 Volts = 15.0/11.5kW
- Recommended Circuit Breaker - 40 Amps
- Always consult local and national electric codes.
- Make sure wall coverings around range can withstand heat generated by range.
- Floor beneath range MUST be solid and level.
- Overhead cabinetry should not exceed a 13" maximum depth.
- Absolute minimum horizontal distance between overhead cabinets installed to either side of appliance must be no less than maximum width of appliance.
- Range can be installed flush to wall with 0" minimum rear clearance.
- Minimum 1" clearance required from edge of rangetop to nearest combustible wall on either side of range above 36" height.

- Allow 30" minimum clearance between top of cooking surface and bottom of unprotected wood or metal overhead cabinet; or 24" minimum clearance when bottom of wood or metal overhead cabinet is protected by not less than 1/4" flame retardant millboard covered with not less than No. 28 MSG sheet steel, 0.015" stainless steel, 0.024" aluminum or 0.020" copper.
- To reduce risk of fire when using overhead cabinetry, install range hood that projects horizontally a recommended minimum of 5" beyond bottom of cabinets.
- Follow all dimension requirements provided to prevent property damage, potential fire hazard, and incorrect countertop and cabinet cuts.

Note: For planning purposes only. Refer to Product Installation Guide on the web at frigidaire.com for detailed instructions.

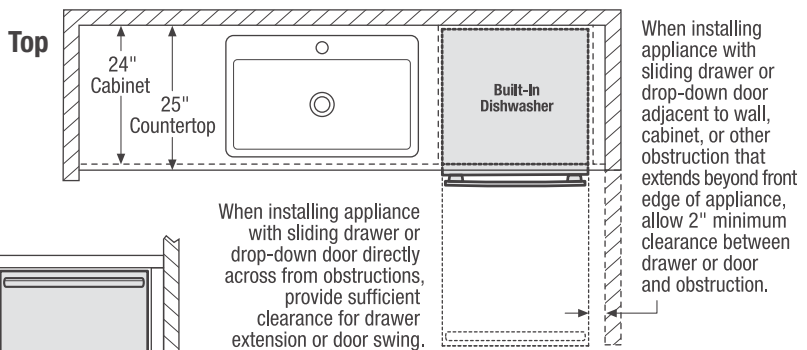


Use these dimensions and clearance instructions for planning purposes only. For detailed installation instructions, refer to installation guide, packed with product, or on the web at frigidaire.com.

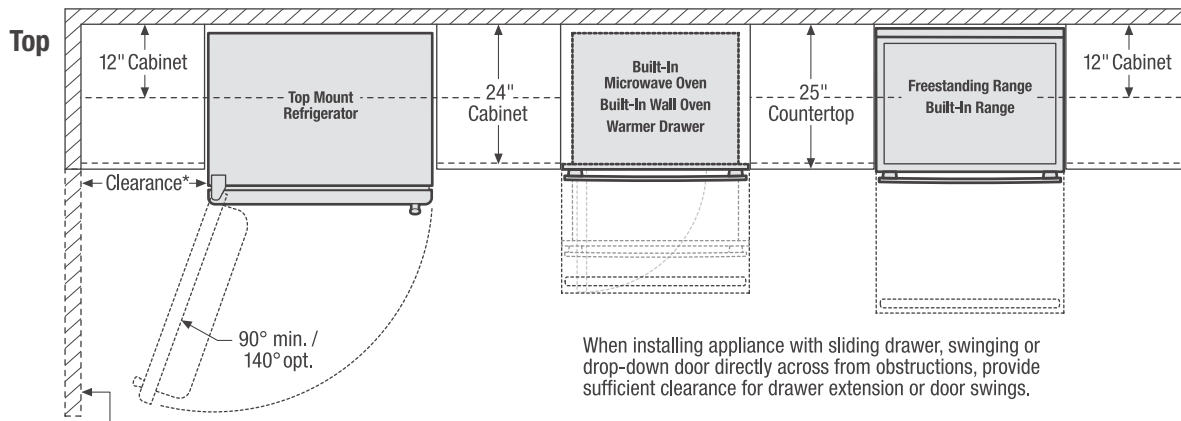
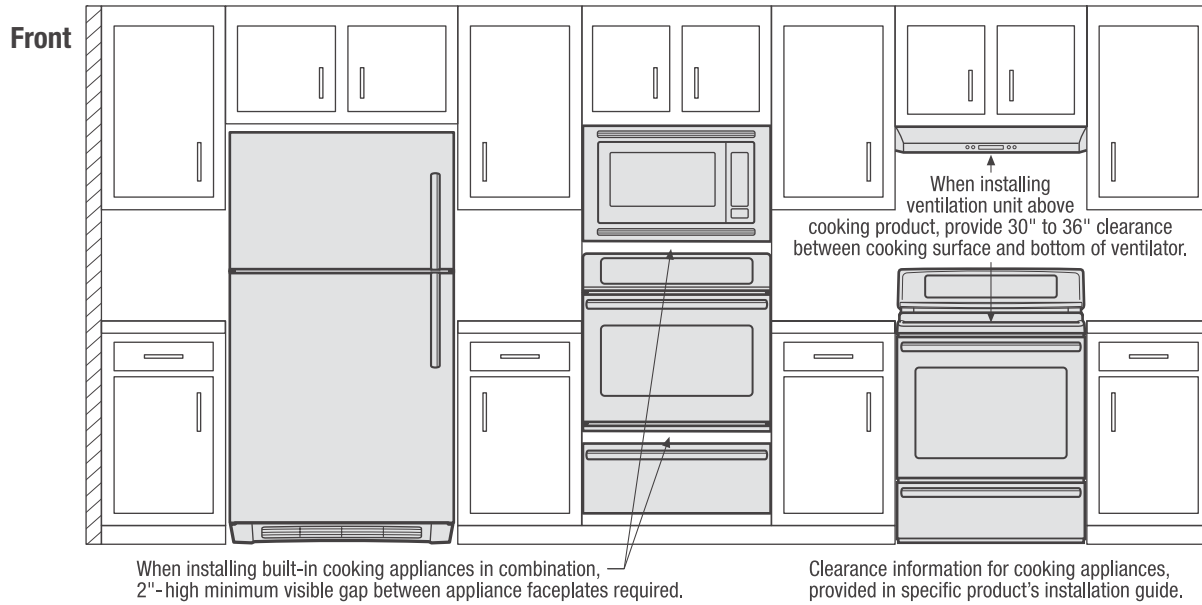


*When installing side-by-side refrigerator adjacent to wall, cabinet or another appliance that extends beyond front edge of unit, 20" minimum clearance recommended to allow for optimum 120° to 180° door swing, providing complete drawer/crisper access and removal. (Absolute 4-1/2" minimum clearance will ONLY allow for 90° door swing which will provide limited drawer/crisper access with restricted removal.)

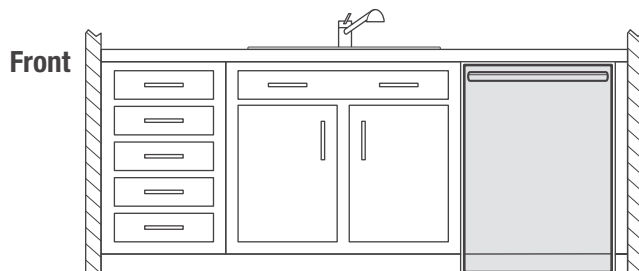
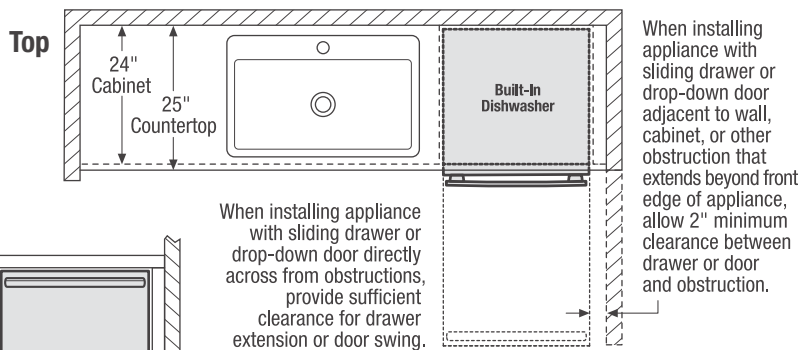
When installing appliance with sliding drawer, swinging or drop-down door directly across from obstructions, provide sufficient clearance for drawer extension or door swings.



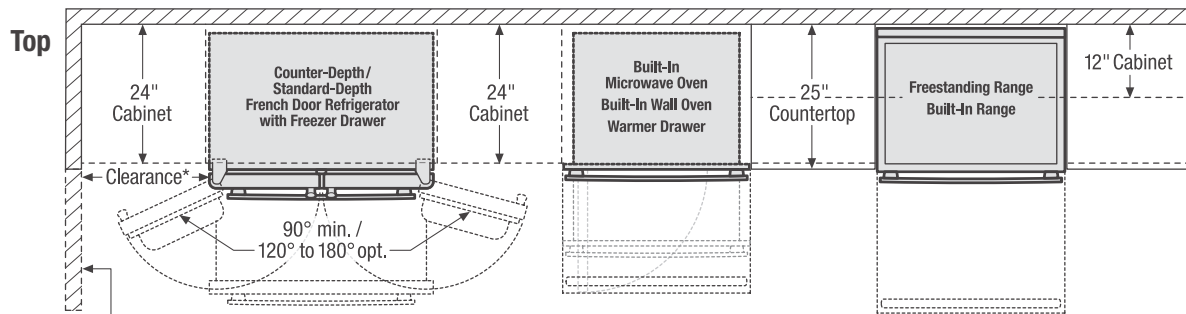
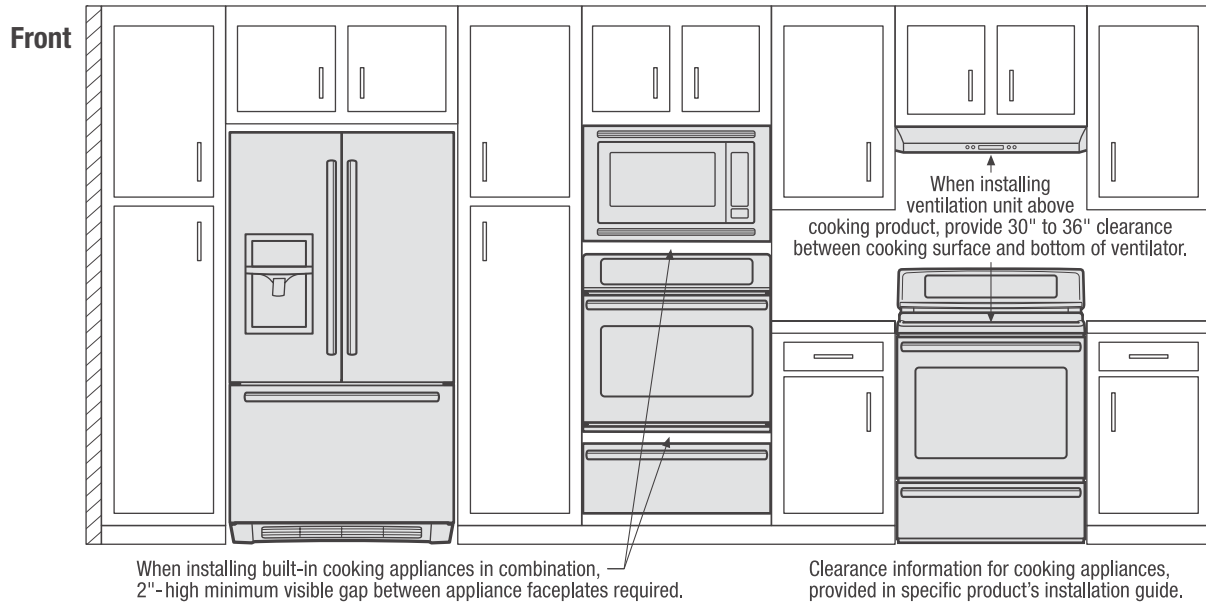
Use these dimensions and clearance instructions for planning purposes only. For detailed installation instructions, refer to installation guide, packed with product, or on the web at frigidaire.com.



*When installing top mount refrigerator adjacent to wall, cabinet or other appliance that extends beyond front edge of unit, 20" minimum clearance recommended to allow for optimum 140° door swing, providing complete crisper access and removal. (Absolute 3" minimum clearance will ONLY allow for 90° door swing which will provide limited crisper access with restricted removal.)

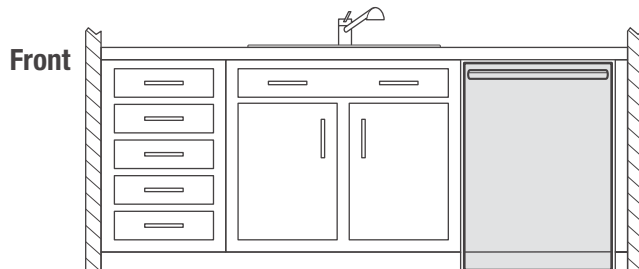
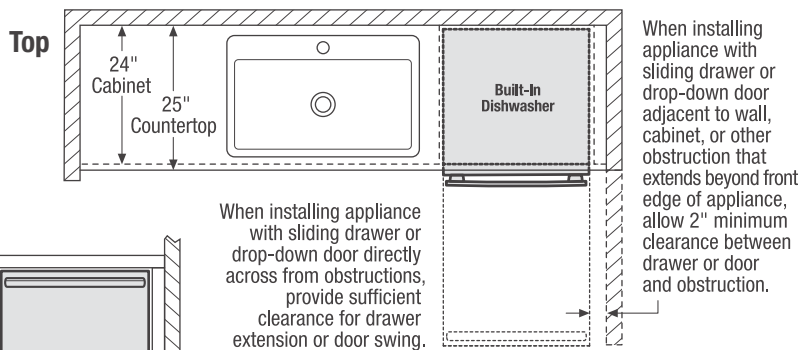


Use these dimensions and clearance instructions for planning purposes only. For detailed installation instructions, refer to installation guide, packed with product, or on the web at frigidaire.com.



*When installing French door refrigerator adjacent to wall, cabinet or another appliance that extends beyond front edge of unit, 20" minimum clearance recommended to allow for optimum 120° to 180° door swing, providing complete drawer/crisper access and removal. (Absolute 4-1/2" minimum clearance will ONLY allow for 90° door swing which will provide limited drawer/crisper access with restricted removal.)

When installing appliance with sliding drawer, swinging or drop-down door directly across from obstructions, provide sufficient clearance for drawer extension or door swings.



Use these dimensions and clearance instructions for planning purposes only. For detailed installation instructions, refer to installation guide, packed with product, or on the web at frigidaire.com.

