



French Door Refrigerator

FPHG2399MF

23 Cu. Ft. Counter-Depth



Product Dimensions

Height (Including Hinges & Rollers)	69-7/8"
Width (Doors)	36"
Depth (Including Door)	28-1/2"

More Easy-To-Use Features

Counter-Depth Design

Maximize your kitchen space with our counter-depth refrigerator that gives you back 5 inches of kitchen space while still offering over 100 ways to organize.

Smudge-Proof™ Stainless Steel

Reduces fingerprints and smudges so it's easy to clean.

Performance LED Lighting

Beautiful, ramp-up lighting keeps contents clearly visible.

Freezer Basket with Divider

Deep freezer storage with adjustable divider keeps food organized and accessible.

PowerPlus® Freeze

Quickly freeze foods so they stay at their freshest.

Effortless™ Glide Crisper Drawers

Our humidity-controlled crisper drawers can be configured any number of ways, either side-by-side or stacked on top of each other so you can organize your refrigerator the way you want, while keeping your fruits and vegetables fresh.

Effortless™ Glide Freezer Drawers

Drawers glide out smoothly and fully extend, giving you easy access to what's inside.

Store-More™ Bins

Our gallon-size bins are designed to store more, so you can easily fit a gallon of milk or two-litre bottles.

Signature Features



Adjustable Interior Storage

Over 100 ways to organize and customize your refrigerator.



Best-in-Class Filtration¹

PureSource Ultra® Filtration is best-in-class so you get cleaner, better tasting ice at your fingertips.



Full-Width Cool Zone™ Drawer

A large capacity Cool Zone™ Drawer provides enough space to easily store anything from sheet cakes and large platters to snacks and juice boxes.



PowerPlus® Ice

PowerPlus® Ice delivers up to 37% more ice.²

ENERGY STAR®

Sabbath Mode (Star-K® Certified)



Available in:



Stainless
(F)

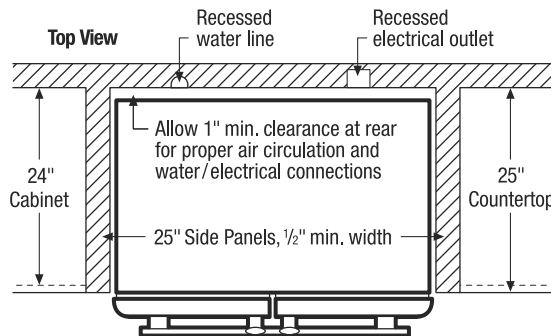
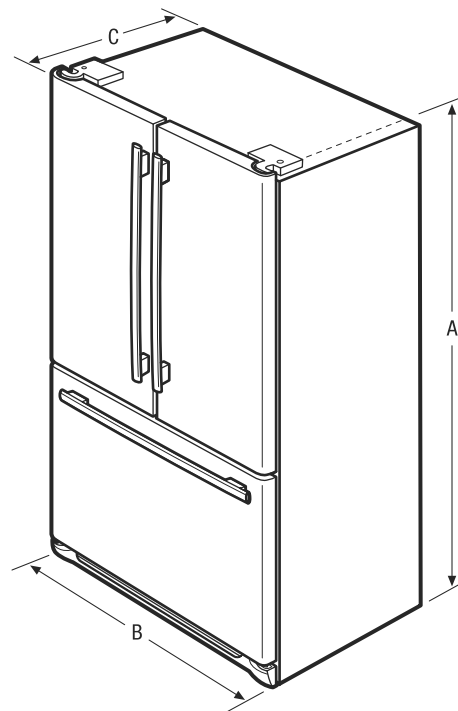
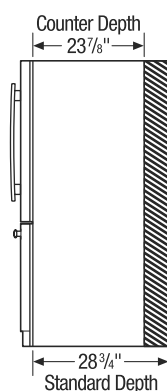
¹As compared to other consumer refrigeration water filtration systems.

²In a 24-hour period.

Features	
Door Design	Soft-Arc Doors
Door Handle Design	Stainless Steel
Cabinet Finish	Grey
Door Stops/Door Closers	Yes/Yes
Door Hinge Covers	Hidden
Rollers - Front/Rear	Adjustable/Yes
Energy Saver Plus Technology	Yes
Water Filter Location	Top-Right Fresh Food Section
Sound Package	Quiet Pack
Control Features	
Controls	Pro-Select*
Control Panel Location	Left Door, Inside Edge
Number of Control Buttons	7
Ice Option/Freeze Option	PowerPlus* / PowerPlus*
Display On/Off Option	
Lock	
Temp/Door Ajar/Power Failure Alerts	Yes/Yes/Yes
Water Filter Change Indicator Light	Yes
Air Filter Change Indicator Light	Yes
Refrigerator Features	
Lighting	Performance LED
Water Filter Type	PureSource Ultra*
Air Filter Type	PureAir Ultra*
Fixed Shelves	
Quarter-Width Sliding Shelves	
Half-Width Sliding Shelves	4 SpillSafe*
Cantilever Shelves	Yes
Store-More™ Full-Width Drawer	1 Cool Zone™
Hanging Wine Rack	1 Clear
Hanging Can Dispenser	
Crisper Drawer	2 Clear
Humidity Controls	2
Dairy Compartment	2 Clear (1 per door)
Store-More™ Fixed Door Bins	2 White (1 per door)
Fixed Door Bins	2 Half-Gallon/2-Litre Clear
Adjustable Door Bins/Dispenser Bin	2 Two-Gallon Clear/No
Non-Slip Bin Liner/Bottle Retainers	4 Grey/No
Freezer Features	
Self-Closing Pull Out Drawer	Yes
Sliding Full-Width Freezer Baskets	2 Effortless™ Glide
Basket Dividers	1 (Bottom Basket)
Lighting	Yes
Ice Maker	Yes
Certifications	
Sabbath Mode (Star-K® Certified)	Yes
ENERGY STAR®	Yes
Specifications	
Total Capacity (Cu. Ft.)	22.5
Refrigerator Capacity (Cu. Ft.)	15.61
Freezer Capacity (Cu. Ft.)	6.86
Power Supply Connection Location	Right Bottom Rear
Water Inlet Connection Location	Left Bottom Rear
Voltage Rating	120V/60Hz/15 or 20A
Connected Load (kW rating) @ 120 Volts ¹	1.02
Amps @ 120 Volts	8.5
Minimum Circuit Required (Amps)	15
Shipping Weight (Approx.)	345 Lbs.

¹For use on adequately wired 120V, dedicated circuit having 2-wire service with a separate ground wire. Appliance must be grounded for safe operation.

Standard Refrigerator Depth vs. Counter Depth



NOTE: For planning purposes only. Always consult local and national electric and plumbing codes. Refer to Product Installation Guide for detailed installation instructions on the web at frigidaire.ca.



Product Dimensions	
A - Height (Incl. Hinges & Rollers)	69-7/8"
B - Cabinet Width/Door Width	35-7/8" / 36"
C - Depth (Incl. Door)	28-1/2"
Depth with Door Open 90°	42-1/2"
Depth with Drawer Fully Extended (Incl. Handle)	45-1/2"

"Built-In Look" Cutout Dimensions	
Height (Incl. Hinges and Rollers)	70-1/4"
Width	36"
Depth	25"