



Drop-In Range

FFED3005L W

30" Electric



Product Dimensions

Height	26-1/2"
Width	30"
Depth	27-1/2"

More Easy-To-Use Features

Color-Coordinated Oven Door with Large Window

Stylish look with a large window makes it easy to check on what's cooking without opening the door.

Timed Cook Option

Electronic Kitchen Timer

Auto Preheat

Bright Lighting

Our bright lighting makes it easy to see what's inside.

Manual Clean Oven

Chrome Drip Bowls

A.D.A. Compliant¹

Available in:



White
(W)

Signature Features

Ready-Select® Controls

Easily select options or control cooking temperature with our easy-to-use controls.

Large Capacity

Our large capacity oven gives you room to cook more at once.

Even Baking Technology

Our latest technology ensures even baking every time.

Hi/Lo Broil Option

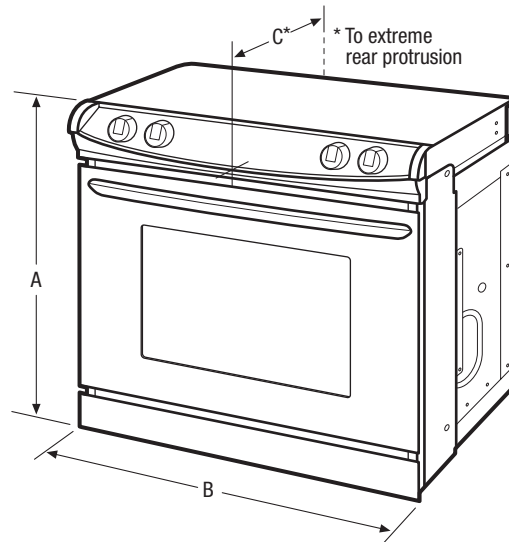
Offers two-position broiling and variable temperature control for more control.

Elements	Size	Watts
Right Front	8"	2,600
Right Rear	6"	1,500
Left Front	6"	1,500
Left Rear	8"	2,600

¹When properly installed, meets the appliance standards in the Americans with Disabilities Act and the Architectural Barriers Act Accessibility Guidelines as published by the United States Access Board on June 23, 2004, as amended August 5, 2005.

Features	
Oven Control/Timing System	Ready-Select® Controls
Surface Type	Color-Coordinated Porcelain
Window	Large
Exterior Door Finish	Color-Coordinated
Handle Design	Color-Coordinated
Exterior Finish (Side Panels)	Color-Coordinated
Convection System	
Oven Cleaning System	Manual Clean
Drawer Functionality	
Oven Controls	
Bake	Yes
Broil	Low and High
Add-a-Minute	
Delay Bake	
Self Clean	
Quick Clean Option	
Delay Clean	
Kitchen Timer	Yes
Timed Cook Option	Yes
Auto Oven Shut-Off	
Cooktop Features	
Right Front Element (Watts)	8" - 2,600
Right Rear Element (Watts)	6" - 1,500
Left Front Element (Watts)	6" - 1,500
Left Rear Element (Watts)	8" - 2,600
Center Element (Watts)	
Hot Surface Indicator Light	
Coil Cooktop/Drip Bowls	Yes/Chrome
Oven Features	
Capacity (Cu. Ft.)	4.2
Oven Light	1
Hidden Bake Element	
Rack Configuration	2 Standard
Even Baking System	Yes
Broiling System	Vari-Broil™ Hi/Lo
Bake Element/Broil Element (Watts)	2,750 / 3,400
Optional Accessories	
Rear Filler Kit - White (W) / Black (B)	(W) PN # 901193-9011
Side Panel Kit - White (W) / Black (B)	
Backguard Kit - White (W) / Black (B)	(W) PN # 903046-9011
Side Trim Kit - White (W) / Black (B)	(W) PN # 903076-9011
Bottom Trim Kit - White (W) / Black (B)	(W) PN # 903068-9011
Certifications	
A.D.A. Compliant ¹	Yes
Specifications	
Oven Interior (H x W x D)	16-1/2" x 24-1/8" x 18-1/32"
Power Supply Connection Location	Left Bottom Rear
Voltage Rating	240V / 208V / 60 Hz
Connected Load (kW Rating) @ 240/208 Volts	11.2 / 8.4
Amps @ 240/208 Volts	46.6 / 40.4
Minimum Circuit Required (Amps)	40
Shipping Weight (Approx.)	132 Lbs.

¹When properly installed, meets the appliance standards in the Americans with Disabilities Act and the Architectural Barriers Act Accessibility Guidelines as published by the United States Access Board on June 23, 2004, as amended August 5, 2005.



NOTE: For planning purposes only. Always consult local and national electric codes. Refer to Product Installation Guide for detailed installation instructions on the web at frigidaire.com.

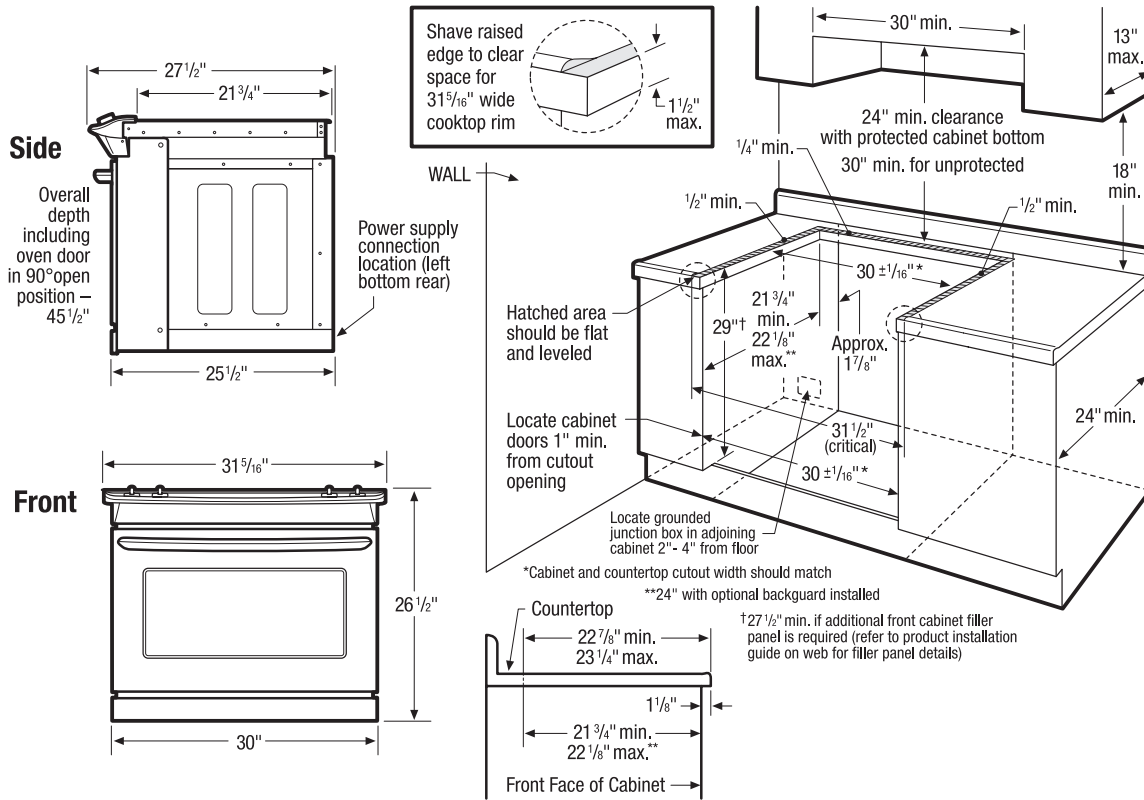


Product Dimensions		Cutout Dimensions	
A - Height	26-1/2"	Height	29"†
B - Width	30"	Width (Min.)	29-15/16"
C - Depth	27-1/2"	Width (Max.)	30-1/16"*
Depth with Door Open 90°	45-1/2"	Depth (Min.)	21-3/4"
		Depth (Max.)	22-1/8"***

†27-1/2" min. if additional front cabinet filler panel is required (refer to product installation guide on web for filler panel details)

*Cutout and countertop cutout width should match. **24" with optional backguard installed.

Accessories information available on the web at frigidaire.com



Drop-In Range Specifications

- Product Shipping Weight (approx.) - 132 Lbs.
- Single phase 3- or 4-wire cable, 120/240 or 120/208 Volt, 60 Hertz, fused on both sides of line with ground. (If local code permits, range may be connected by hard-wiring or by means of power supply cord kit.)
- Connected Load (kW Rating) @ 240/208 Volts = 11.2/8.4 kW
- Amps @ 240/208 Volts = 46.6/40.4 Amps
- Recommended Circuit Breaker - 50 Amps (40 Amps minimum)
- Always consult local and national electric codes.
- Make sure wall coverings around range can withstand heat generated by range.
- Linoleum or any other synthetic floor covering located beneath range, must be capable of withstanding minimum heat of 90°F above room temperature without shrinking, warping or discoloring. Insulating pad or 1/4"-thick plywood required between range and a carpeted floor.
- When installing optional Backguard Kit, cutout depth of 21-3/4" minimum/22-1/8" maximum needs increased to 24".
- Overhead cabinetry should not exceed a 13" maximum depth.
- Absolute minimum horizontal distance between overhead cabinets installed to either side of appliance must be no less than maximum width of appliance.
- Allow 24" minimum clearance between rangetop and bottom of cabinet when bottom of wood or metal cabinet is protected by not less than 1/4" flame-retardant millboard covered with not less than No. 28 MSG sheet steel, 0.015" stainless steel, 0.024" aluminum or 0.020" copper. Allow 30" minimum clearance when cabinet is unprotected.

- To reduce risk of fire when using overhead cabinetry, install range hood that projects horizontally a recommended minimum of 5" beyond bottom of cabinets.

Countertop Preparation

- For detailed preparation instructions, refer to installation guide on the web.
- Flat square-finish (flat) countertop requires no preparation since rangetop flange lays directly on countertop edge.
 - Formed front-edged countertops require front molded edge to be shaved flat 3/4" from each front corner of opening.
 - Tile countertops may need cut back 3/4" from each front corner of opening and/or rounded edge flattened.
 - For existing cutout width greater than 30-1/16" reduce the 3/4" overlap dimension.

Note: For planning purposes only. Refer to Product Installation Guide on the web at frigidaire.com for detailed instructions.

Optional Accessories

- Rear Filler Kit: White - (PN# 901193-9011),
- Backguard Kit: White - (PN# 903046-9011),
- Side Trim Kit: White - (PN# 903076-9011),
- Bottom Trim Kit: White - (PN# 903068-9011),



Use these dimensions and clearance instructions for planning purposes only. For detailed installation instructions, refer to installation guide, packed with product, or on the web at frigidaire.com.



When installing appliances adjacent to each other, 20" minimum distance between each appliance required.

When installing built-in cooking appliances in combination, 2" minimum visible gap between appliance faceplates required.



When installing side-by-side refrigerator adjacent to wall, cabinet or another appliance that extends beyond front edge of unit, 20" minimum clearance recommended to allow for optimum 120° to 180° door swing, providing complete drawer/crisper access and removal.

When installing appliance with sliding drawer, swinging or drop-down door directly across from obstructions, provide sufficient clearance for drawer extension or door swings.



When installing appliance with sliding drawer or drop-down door directly across from obstructions, provide sufficient clearance for drawer extension or door swing.

When installing appliance with sliding drawer or drop-down door adjacent to wall, cabinet, or other obstruction that extends beyond front edge of appliance, allow 2" minimum clearance between drawer or door and obstruction.

Use these dimensions and clearance instructions for planning purposes only. For detailed installation instructions, refer to installation guide, packed with product, or on the web at frigidaire.com.



When installing appliances adjacent to each other, 20" minimum distance between each appliance required.

When installing built-in cooking appliances in combination, 2" minimum visible gap between appliance faceplates required.



When installing appliance with sliding drawer, swinging or drop-down door directly across from obstructions, provide sufficient clearance for drawer extension or door swings.

*When installing refrigerator adjacent to wall, cabinet or other appliance that extends beyond front edge of unit, 20" minimum clearance recommended to allow for optimum 140° door swing, providing complete crisper access and removal. (Absolute 3" minimum clearance will ONLY allow for 90° door swing which will provide limited crisper access with restricted removal.)



When installing appliance with sliding drawer or drop-down door directly across from obstructions, provide sufficient clearance for drawer extension or door swing.

