

# French Door Refrigerator

EI23BC56I S

Featuring IQ-Touch™ Electronic Controls



### Most Usable Capacity<sup>1</sup>

Most usable space inside, same space on the outside, so you'll have space for everything from party platters and beverages to kids' snacks and juice boxes.



### IQ-Touch™ Controls

For those who like to have their options always visible, the IQ-Touch™ control panel displays your options at all times.



### Luxury-Glide® Cool Zone™ Drawer

This drawer keeps contents chilled, so it's perfect for wine and beer or even snacks and juice boxes.



### Luxury-Design® Glass Shelves

All-glass shelves crafted for exceptional beauty and function.

## 23 CU. FT. COUNTER-DEPTH FRENCH DOOR REFRIGERATOR

### Capacities

Total Capacity	22.6 Cu. Ft.
Fresh Food Volume	15.7 Cu. Ft.
Freezer Volume	6.9 Cu. Ft.
Total Shelf Area	23.9 Sq. Ft.
Fresh Food Shelf Area	18.7 Sq. Ft.
Freezer Shelf Area	5.2 Sq. Ft.

### Exterior

Signature Soft-Arc Doors and Handle Design	Yes
IQ-Touch™ Electronic Controls	Yes
Door Hinge Covers	Yes
Ice/Water Dispenser	Yes
Perfect Set® Temperature Control System and Display	Yes
Crushed/Cubes/Water	Yes
Air and Water Filter Indicator/Reset	Yes
Ice Maker On/Off	Yes
Fast Freeze™	Yes
Lock	Yes
Dispenser Light Control	Yes

### Fresh Food Conveniences

PureAdvantage® Water & Ice / Air Filtration	Yes
Water Filter Location	Bottom Left
Temp Alarm System / Door Ajar Alarm / Power Failure Alarm	Yes
Luxury-Design® Glass Shelves	1 Quarter Width, 3 Half Width
Luxury-Glide® Humidity-Controlled Left Crisper	Yes
Luxury-Glide® Humidity-Controlled Right Crisper	Yes
Luxury-Glide® Cool Zone™ Drawer	Yes
Perfect Temp® Drawer	
Wine Rack	
Clear Gallon Door Bins (Adjustable)	1
Clear 1/2-Gallon Door Bins (Adjustable)	1
Clear 2-Liter / 1/2-Gallon Door Bins (Removable)	2
Locking Clear Utility Bin	Yes
Tilt-Out Can Racks	2
Luxury-Design® Incandescent Ramp-Up Multilevel Lighting	Yes
Automatic Ice Maker	Yes

### Freezer Conveniences

Self-Closing Drawer	Yes
Sliding Full-Width Freezer Baskets	2 Luxury-Glide® (with Dividers)
Plastic Basket Tray	1
Tilt-Out Wire Door Racks	1
Luxury-Design® Incandescent Ramp-Up Multilevel Lighting	Yes

### Additional Features

ENERGY STAR®	Yes
Sabbath Mode (Star-K® Certified)	Yes

### Specifications

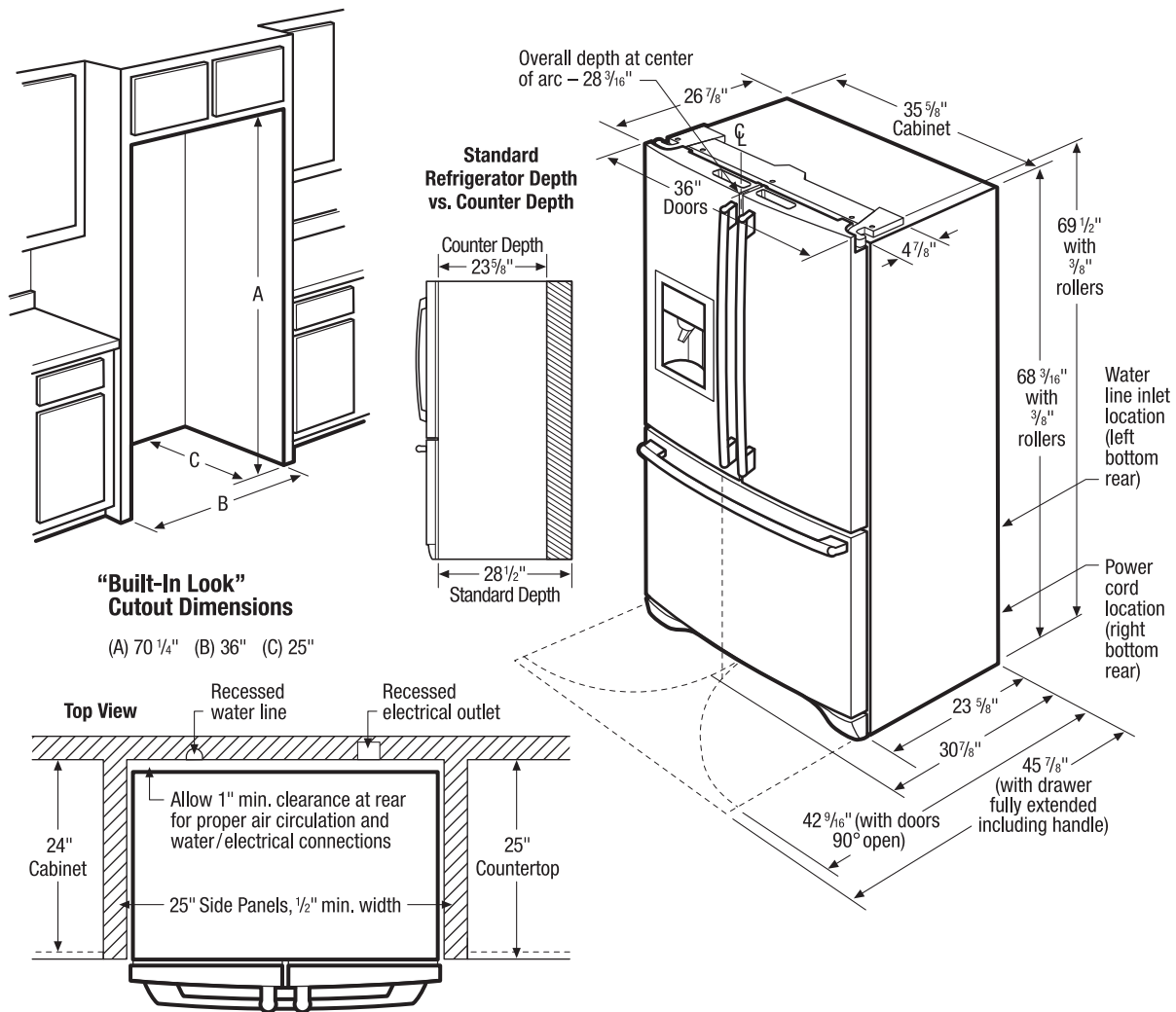
Color –	Stainless Steel	S
Product Dimensions –		
Height (with Hinges and 3/8" Rollers)	69-1/2"	
Cabinet Width / Door Width	35-5/8" / 36"	
Depth (to Center of Arc)	28-3/16"	
(with 90° Door Open)	42-9/16"	
(with Drawer Fully Extended Including Handle)	45-7/8"	
Power Supply Connection Location	Right Bottom Rear	
Water Inlet Location	Left Bottom Rear	
Voltage Rating	120V/60Hz/15 or 20A	
Connected Load (kW Rating) @ 120 Volts <sup>‡</sup>	1.02	
Minimum Circuit Required (Amps)	15	
Shipping Weight (Approx.)	345 Lbs.	

<sup>‡</sup>An electrical supply with grounded three-prong receptacle is required. The power supply circuit must be installed in accordance with current edition of National Electrical Code (NFPA 70) and local codes & ordinances.

NOTE: Always consult local and national electric & plumbing codes. Refer to Product Installation Guide for detailed installation instructions on the web at [electroluxappliances.com](http://electroluxappliances.com).

Specifications subject to change.

<sup>1</sup>As compared to other French Door Counter-Depth models.



## Counter-Depth French Door Refrigerator Specifications

- Product Weight – 340 Lbs.
- An electrical supply with grounded three-prong receptacle is required. The power supply circuit must be installed in accordance with current edition of National Electrical Code (NFPA 70) and local codes & ordinances.
- Voltage Rating – 120V/60Hz/ 15 or 20 Amps
- Connected Load (kW Rating) @ 120 Volts = 1.02kW
- Amps @ 120 Volts = 8.5 Amps
- Always consult local and national electric & plumbing codes.
- Floor should be level surface of hard material, capable of supporting fully loaded refrigerator.
- When installing refrigerator adjacent to wall, cabinet or other appliance that extends beyond front edge of unit, 20" minimum clearance recommended to allow for optimum 120° to 180° door swing, providing complete drawer/crisper access and removal. (*Absolute 4-1/2" minimum clearance will ONLY allow for 90° door swing which will provide drawer/crisper access with restricted removal.*)
- To ensure optimum performance, avoid installing in direct sunlight or close proximity to range, dishwasher or other heat source.

- For proper ventilation, front grille MUST remain unobstructed.
- Recess electrical outlet when possible.
- Water recess on rear wall recommended to prevent water line damage.
- Water Pressure – Cold water line must provide between 30 and 100 pounds per square inch (psi).
- Copper tubing with 1/4" O.D. recommended for water supply line with length equal to distance from rear of unit to household water supply line plus 7 additional feet. Optional Water Supply Installation Kits available.
- Adjustable front rollers to assist with door alignment.

## “Built-In Look” Specifications

- Minimum opening of 70-1/4" H x 36" W x 25" D required to allow for ease of installation, proper air circulation, and plumbing/electrical connections.
- Remove all wall/floor molding prior to installation.

**Note:** For planning purposes only. Refer to Product Installation Guide on the web at [electroluxappliances.com](http://electroluxappliances.com) for detailed instructions.

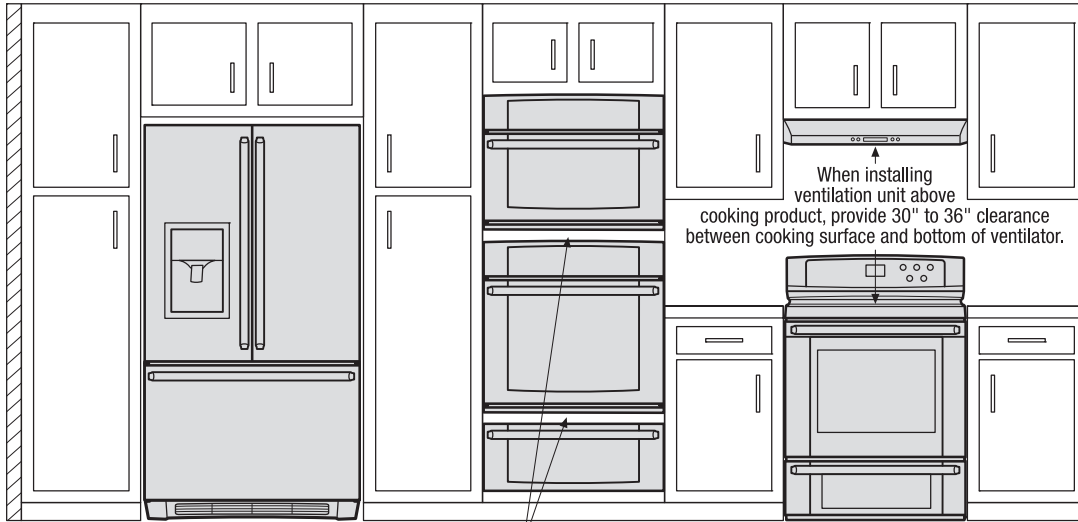
# General Installation Guidelines

For Installation with French Door Refrigerator



Use these dimensions and clearance instructions for planning purposes only. For detailed installation instructions, refer to installation guide, packed with product, or on the web at [electroluxappliances.com](http://electroluxappliances.com).

Front

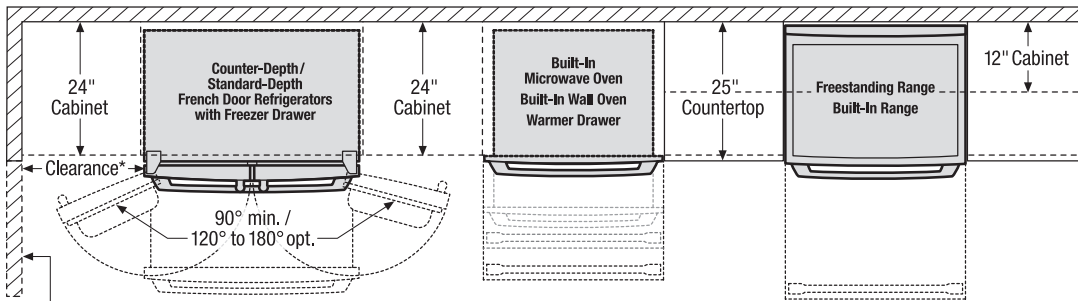


When installing ventilation unit above cooking product, provide 30" to 36" clearance between cooking surface and bottom of ventilator.

When installing built-in cooking appliances in combination, 2"-high minimum visible gap between appliance faceplates required.

Clearance information for cooking appliances, provided in specific product's installation guide.

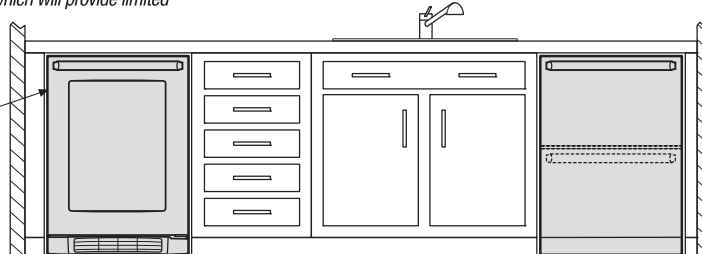
Top



\*When installing a French door refrigerator adjacent to wall, cabinet or another appliance that extends beyond front edge of unit, 20" minimum clearance recommended to allow for optimum 120° to 180° door swing, providing complete drawer / crisper access and removal. (Absolute 4-1/2" minimum clearance will ONLY allow for 90° door swing which will provide limited drawer/crisper access with restricted removal.)

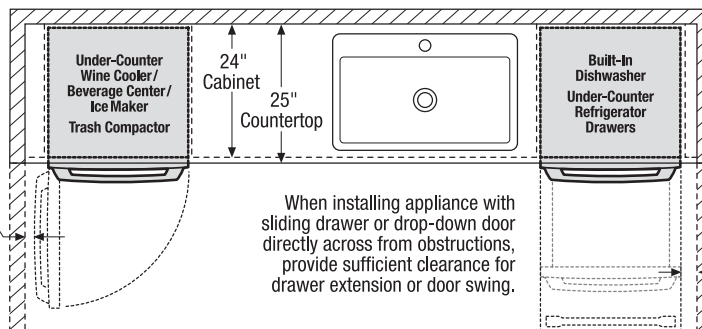
When installing appliance with sliding drawer or drop-down door directly across from obstructions, provide sufficient clearance for drawer extension or door swing.

Front



To ensure optimum performance, avoid installing refrigeration appliances in direct sunlight or near heat source.

Top



When installing appliance with side-swing door adjacent to wall, cabinet, or other obstruction that extends beyond front edge of appliance, door swing and handle clearance must be sufficient to allow access to appliance interior.

When installing appliance with sliding drawer or drop-down door directly across from obstructions, provide sufficient clearance for drawer extension or door swing.

When installing appliance with sliding drawer or drop-down door adjacent to wall, cabinet, or other obstruction that extends beyond front edge of appliance, allow 2" minimum clearance between drawer or door and obstruction.

## Electrolux Major Appliances, N.A.

USA • 10200 David Taylor Drive • Charlotte, NC 28262 • 1-877-4electrolux (1-877-435-3287) • [electroluxappliances.com](http://electroluxappliances.com)  
 CANADA • 5855 Terry Fox Way • Mississauga, ON L5V 3E4 • 1-800-265-8352 • [electroluxappliances.ca](http://electroluxappliances.ca)