

Built-In All Freezer

professional series

E32AF85PQS



PRODUCT DIMENSIONS

| | |
|------------------------------|---------|
| Height (Cabinet Incl. Hinge) | 70-5/8" |
| Width | 32" |
| Depth (Incl. Door) | 26-1/2" |

MORE EASY-TO-USE FEATURES

PureAdvantage® Air Filter

Keeps clean, filtered air circulated throughout to prevent odour transfer.

Theatre Lighting

Our ramp-up designer LED lighting is as beautiful as it is functional, keeping the contents clearly visible.

Custom-Design™ Glass Shelves

Extra-wide glass shelves provide enough space for large platters and are designed to keep spills contained, making them easy to clean.

Custom-Set™ Controls

Offer more precise temperature control.

Extreme Freeze™

Freezes food faster to lock in freshness.

Alarm System

Notifies you if there's been a power failure, if a door stays open longer than five minutes and if the interior temperature of the freezer rises above 23 degrees for more than 60 minutes.

Automatic Ice Maker

Ensures you'll always have extra ice on hand.

Available In:



Stainless
(S)

Signature Features



Custom-Fit™ Capacity

More space inside gives you plenty of space to stock up so you'll always have food on hand for any occasion.



Custom-Design™ Organization System

The ultimate organization system features adjustable glass shelves, Smooth-Glide® full-width baskets and tilt-out door racks.



Soft Freeze™ Bin

Perfect storage for things like ice cream or anything you want to keep frozen, but still soft for serving.



Smooth-Glide® Freezer Drawers

Full-width drawers glide out smoothly and fully extend, giving you easy access to what's inside.

Optional Trim Kits

84" Louvered Trim Kits

(ECP8436SS & ECP8472SS)
Designed as a replacement option for the Sub-Zero® brand 650 Series models and for new-build installation.

79" Louvered/75" Collar Trim Kits¹

(TRIMKITSS1 & TRIMKITSS2)
Designed as a replacement option for Electrolux ICON® brand models E32AR75FPS and E32AF75FPS and for new-build installation.

72" Collar Trim Kits

(ECP7236SS & ECP7272SS)
Designed as a replacement option for the Sub-Zero® brand 601 Series models and for new-build installation.

¹Kits are designed to fit either 79" or 75" opening height. For 79" cutout opening height, installation requires use of top louvered grille; for 75" cutout opening height, installation requires use of top trim piece and shortening of both side trim pieces.
Sub-Zero® is a registered trademark of Sub-Zero, Inc.

Built-In All Freezer

E32AF85PQS professional series

BUILT-IN ALL FREEZER

CAPACITIES

| | |
|------------|--------------|
| Volume | 18.6 Cu. Ft. |
| Shelf Area | 19.7 Sq. Ft. |

EXTERIOR

| | |
|-------------------------------------|-----|
| Professional Door and Handle Design | Yes |
| Hidden Door Hinge Covers | Yes |

INTERIOR CONVENIENCES

| | |
|---|--------------|
| PureAdvantage® Air Filter | Yes |
| Air Filter Indicator | Yes |
| Electronic Control Lock | Yes |
| Custom-Design™ Glass Shelves | 2 Adjustable |
| Smooth-Glide® Full-Width Bottom Basket | 1 |
| Smooth-Glide® Full-Width Mid-Level Baskets | 2 |
| Soft Freeze™ Bin | Yes |
| Extreme Freeze™ | Yes |
| Adjustable Door Bins | 4 |
| Theatre LED Lighting | Yes |
| Custom-Set™ Digital Temperature Control System | Yes |
| Temp Alarm System/Door-Ajar Alarm/Power Failure Alarm | Yes |
| Ice Maker | Yes |
| Door Closer | Yes |
| Luxury-Quiet™ Design | Yes |

ADDITIONAL FEATURES

| | |
|----------------------------------|-----|
| Sabbath Mode (Star-K® Certified) | Yes |
|----------------------------------|-----|

ACCESSORIES

| | | |
|--|-------------------------|----------|
| 84" Louvered Trim Kits: | Single – PN# ECP8436SS | Optional |
| | Double – PN# ECP8472SS | Optional |
| 72" Collar Trim Kits: | Single – PN# ECP7236SS | Optional |
| | Double – PN# ECP7272SS | Optional |
| 79" Louvered/75" Collar Trim Kits ¹ : | Single – PN# TRIMKITSS1 | Optional |
| | Double – PN# TRIMKITSS2 | Optional |

SPECIFICATIONS

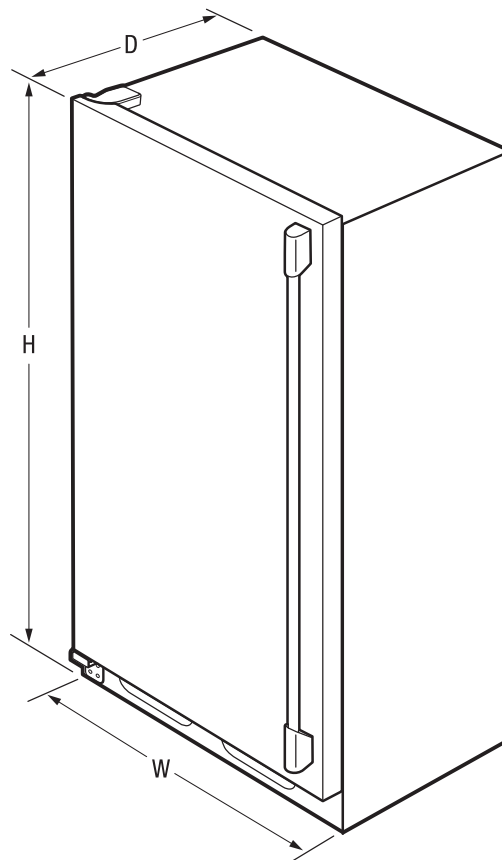
| | |
|---|-------------------|
| Power Supply Connection Location | Right Bottom Rear |
| Water Inlet Location | Left Bottom Rear |
| Voltage Rating | 115V/60 Hz |
| Connected Load (kW Rating) @ 120 Volts ² | 0.55 |
| Minimum Circuit Required (Amps) | 20 |
| Shipping Weight (Approx.) | 255 Lbs. |

¹Kits are designed to fit either 79" or 75" opening height. For 79" cutout opening height, installation requires use of top louvered grille; for 75" cutout opening height, installation requires use of top trim piece and shortening of both side trim pieces.

²An electrical supply with grounded three-prong receptacle is required. The power supply circuit must be installed in accordance with national and local codes & ordinances.

NOTE: Always consult local and national electric and plumbing codes. Refer to Product Installation Guide for detailed installation instructions on the web at electroluxicon.ca.

Specifications subject to change.



PRODUCT DIMENSIONS

| | |
|---------------------------|---------|
| Height (Including Door) | 71-3/8" |
| (Cabinet Including Hinge) | 70-5/8" |
| Width | 32" |
| Depth (Including Door) | 26-1/2" |
| (With Door Open 90°) | 57-3/8" |



Electrolux Major Appliances, N.A.

CANADA • 5855 Terry Fox Way • Mississauga, ON L5V 3E4 • 1-800-265-8352 • electroluxicon.ca

E32AF85PQS 08/15

© 2015 Electrolux Major Appliances, N.A.

Printed in Canada

High standards of quality at Electrolux Home Products, Inc. mean we are constantly working to improve our products. We reserve the right to change specifications or discontinue models without notice.