

# Bottom Mount Refrigerators

FF2H2012N S/B

20 Cu. Ft. Bottom Mount



## Product Dimensions

Height (To Top of Door Arc Incl. Hinge/Rollers)	67-3/4"
Width (Doors)	30"
Depth (Incl. Door at Center of Arc)	33-7/8"

## More Easy-To-Use Features

### Clear Dairy Door

### Freezer Door Bin

### Store-More™ Sliding Freezer Basket

A large capacity full-width basket provides enough space to easily store anything with convenient access.

### Attractive Stainless Steel Exterior<sup>1</sup>

### Reversible Door

Door can be installed to open left or right based on your needs.

### ENERGY STAR®

### Cool Zone™ Drawer

Conveniently located in the fresh food compartment for easy access to sandwich foods.



ENERGY STAR®

### Available in:



Stainless  
(S)



Black  
(B)

<sup>1</sup>Select models only.

## Signature Features

### Store-More™ Gallon Door Shelf

Door storage gives you room for larger items like a gallon of milk or two-litre bottles.

### Bright Lighting

Our bright lighting makes it easy to see what's inside.

### Store-More™ Capacity

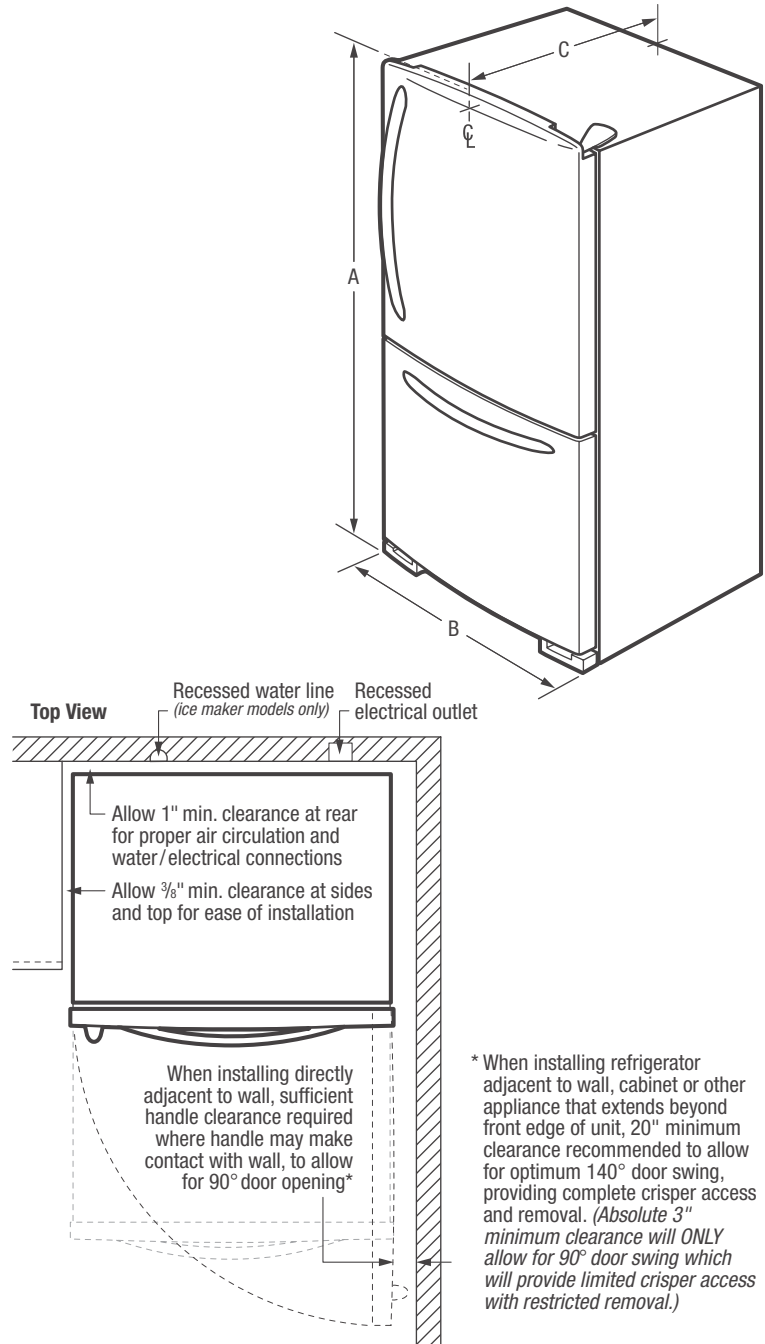
Our large capacity refrigerator gives you room to store more.

### Store-More™ Humidity-Controlled Crisper Drawers

Keep your fruits and vegetables fresh in our humidity-controlled crisper drawers.

Features	
Door Design	Tall
Door Handle Design	Stainless Steel (S), Colour-Coordinated (B)
Cabinet Finish (Textured)	Black (S), Colour-Coordinated (B)
Door Stops	Yes
Door Hinge Covers	Hidden
Door Reverse Option	Yes
Reversible Door (Optional)	Hinge Kit Required
Left-Swing Door	
Rollers - Front/Rear	Adjustable/ Yes
Sound Package	
Toe Grille	Black (S), Colour-Coordinated (B)
Refrigerator Features	
Controls	Ready-Select®
Freeze Option	
Door Ajar Alert	
Interior Lighting	Bright
Air Filter Type	
Refrigerator Shelves	3 Fixed Adjustable Glass
Cantilever Shelves	Yes
Cool Zone™ Drawer	1 Clear Hanging
Wine/ Can Rack	
Store-More™ Crisper Drawers	2 Clear
Humidity Controls	2
Dairy Compartment	Clear Dairy Door
Fixed Gallon Door Bins	2 Full-Width White
Door Racks	
Non-Slip Bin Liner	
Tall Bottle Retainers	
Adjustable Gallon Door Storage	1 White
Freezer Features	
Freezer Access	Door
Door Bins	1 Half-Width White
Door Racks	
Freezer Shelves	1 Full-Width Wire
Store-More™ Lower Basket	Deep Wire
Middle Basket	
Upper Basket	
Factory Ice Maker w/ Large Ice Bin	Optional
Lighting	Yes
Certifications	
ENERGY STAR®	Yes
Specifications	
Total Capacity (Cu. Ft.)	20.3
Refrigerator Capacity (Cu. Ft.)	14.1
Freezer Capacity (Cu. Ft.)	6.2
Power Supply Connection Location	Right Bottom Rear
Water Inlet Connection Location	Right Bottom Rear
Voltage Rating	120V / 60Hz / 15 or 20A
Connected Load (kW rating) @ 120 Volts¹	1.39
Amps @ 120 Volts	11.6
Minimum Circuit Required (Amps)	15
Shipping Weight (Approx.)	260 Lbs.

¹For use on adequately wired 120V, dedicated circuit having 2-wire service with a separate ground wire. Appliance must be grounded for safe operation.



NOTE: For planning purposes only. Always consult local and national electric and plumbing codes. Refer to Product Installation Guide for detailed installation instructions on the web at [frigidaire.ca](http://frigidaire.ca).



Product Dimensions	
A - Height (To Top of Door Arc Incl. Hinge/Rollers)	67-3/4"
B - Cabinet Width/Door Width	29-3/4" / 30"
C - Depth (Incl. Door at Center of Arc)	33-7/8"
Depth with Door Open 90°	59-3/4"

Accessories information available on the web at [frigidaire.ca](http://frigidaire.ca)