

Slide-In Ranges

CFES3015L B/W

30" Electric



Product Dimensions

Height (Adjustable)	35-5/8" - 36-5/8"
Width	30"
Depth	28-5/16"

More Easy-To-Use Features

Store-More™ Storage Drawer

Our convenient drawer gives you extra storage space in your kitchen.

Quick Clean

For a quick, light oven cleaning.

Extra-Large Window

Our extra-large oven window lets you easily see what's inside.

Delay Start Baking Option

Delay Clean

Set the oven to begin cleaning on your schedule.

Hi/Lo Broil Option

Offers two-position broiling and variable temperature control for more control.

Auto Shut-Off

As an extra safety measure, the oven will automatically shut off after 12 hours.

Timed Cook Option

Attractive Stainless Steel Exterior¹

Sabbath Mode (Star-K® Certified)

Available in:



Signature Features

Ready-Select® Controls

Easily select options or control cooking temperature with our easy-to-use controls.

Large Capacity

Our large capacity oven gives you room to cook more at once.

One-Touch Self Clean

Start the self-cleaning cycle with just the touch of a button.

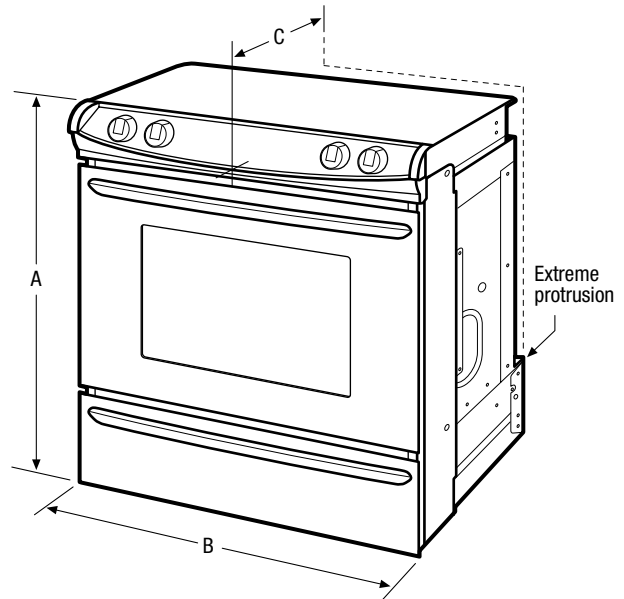
Even Baking Technology

Our latest technology ensures even baking every time.

Elements	Size	Watts
Right Front	8"	2,600
Right Rear	6"	1,500
Left Front	6"	1,500
Left Rear	8"	2,600

¹Select model only.

Features	
Oven Control/Timing System	Ready-Select® Controls
Surface Type	Colour-Coordinated Porcelain (B/W)
Window	Extra-Large
Exterior Door Finish	Colour-Coordinated (B/W)
Handle Design	Colour-Coordinated (B/W)
Exterior Finish	Colour-Coordinated (B/W)
Convection System	
Cleaning System	Self Clean
Drawer Functionality	Storage
Oven Controls	
Bake	Yes
Broil	Low and High
Add-a-Minute	
Delay Bake	Yes
Self Clean	2, 3 Hours (Scroll Thru)
Quick Clean	Yes
Delay Clean	Yes
Kitchen Timer	Yes
Timed Cook Option	Yes
Auto Oven Shutoff	12 Hours
Cooktop Features	
Right Front Coil Element (Watts)	8" - 2,600
Right Rear Coil Element (Watts)	6" - 1,500
Left Front Coil Element (Watts)	6" - 1,500
Left Rear Coil Element (Watts)	8" - 2,600
Center Element (Watts)	
Drip Bowls	Chrome
Hot Surface Indicator Light	
Oven Features	
Capacity (Cu. Ft.)	4.2
Oven Light	Yes
Hidden Bake Element	
Rack Configuration	2 Handle Racks
Even Baking System	Yes
Broiling System	Vari-Broil™ Hi/Lo
Bake Element/Broil Element (Watts)	2,750/3,400
Certifications	
Sabbath Mode (Star-K® Certified)	Yes
Specifications	
Oven Interior (H x W x D)	16-1/2" x 24-1/8" x 18-1/32"
Power Supply Connection Location	Left Bottom Rear
Voltage Rating	240V/208V/60Hz
Connected Load (kW Rating) @ 240/208 Volts	11.6/8.7
Amps @ 240/208 Volts	43.7/41.8
Minimum Circuit Required (Amps)	40
Shipping Weight (Approx.)	175 Lbs.



NOTE: Always consult local and national electric codes. Refer to Product Installation Guide for detailed installation instructions on the web at frigidaire.ca.



Product Dimensions	
A - Height (Adjustable)	35-5/8" - 36-5/8"
B - Width	30"
C - Depth	28-5/16"
Depth with Door Open 90°	45-1/2"

Cutout Dimensions	
Height	35-7/8" min. 36-5/8" max.
Width	30-1/16" max.*
Depth	21-3/4" min 22-1/8" max.**

*Cutout and countertop cutout width should match.
**24" with optional backguard installed.

Installation accessories available on the web at frigidaire.ca