

FFES3026T S/W/B

SLIDE-IN RANGE
30" ELECTRIC



AVAILABLE COLORS



Stainless



White



Black

PRODUCT DIMENSIONS

Height (Max.)	36-5/8"
Width	30"
Depth	28-5/16"

MORE EASY-TO-USE FEATURES

SpaceWise® Expandable Elements
Flexible elements expand to meet your cooking needs—big or small.

Store-More™ Storage Drawer

With the Store-More™ Storage Drawer, you will have extra space to store your cookware.

Extra-Large Window

Check on the status of your dish without having to open the oven door.

Oven Rack Handles

Oven racks are designed with space for you to easily pull out the racks, even when wearing an oven mitt.

Delay Clean

Set the oven to begin cleaning on your schedule.

Large Capacity

Our large capacity oven gives you room to cook more dishes at once.

SIGNATURE FEATURES

Even Baking Technology

Our even baking technology ensures even baking every time.

One-Touch Self Clean

Your oven cleans itself — so you don't have to. Self clean options available in 2- and 3-hour cycles.

Quick Boil

Get meals on the table faster with our 3,000W element — water boils faster than the traditional setting.

Extra-Large Element

With our extra-large 12" element, you have more flexibility to fit larger pots and pans.

CERTIFICATIONS

A.D.A. - Compliant

When properly installed, this model is A.D.A.-qualified based on the United States Access Board's A.D.A./A.B.A. Accessibility Guidelines and the Department of Justice's 2010 A.D.A. Standards for Accessible Design.



ELEMENTS	SIZE	WATTS
Right Front	12"	2,700
Right Rear	6"	1,200
Left Front	6"/9"	1,400/3,000
Left Rear	7"	1,500

FFES3026T S/W/B SLIDE-IN RANGE

30" ELECTRIC

FRIGIDAIRE

FEATURES

Oven Control/Timing System	Ready-Select® Controls
Surface Type	Black Ceramic Glass
Window	Large
Exterior Door Finish	Stainless Steel (S), Color-Coordinated (W/B)
Handle Design	Stainless Steel (S), Color-Coordinated (W/B)
Convection System	
Oven Cleaning System	Self-Clean
Drawer Functionality	Storage

OVEN CONTROLS

Bake	Yes
Broil	Variable
Keep Warm	
Add-a-Minute	
Delay Start	Yes
Self Clean	2, 3, Hours
Steam Clean	
Delay Clean	Yes
Kitchen Timer	Yes
Timed Cook Option	Yes
Auto Oven Shut-Off	12 Hours

COOKTOP FEATURES

Right Front Element (Watts)	12" - 2,700
Right Rear Element (Watts)	6" - 1,200
Left Front Element (Watts)	6"/9" - 1,400/3,000
Left Rear Element (Watts)	7" - 1,500
Center Element (Watts)	
Hot Surface Indicator Light	Yes
Coil Cooktop/Drip Bowls	

OVEN FEATURES

Capacity (Cu.Ft.)	4.6
Oven Light	1 Halogen
Hidden Bake Element	
Rack Configuration	2 Handle Racks
Baking System	Even Baking Technology
Broiling System	Vari-Broil™ Hi/Lo
Bake Element / Broil Element (Watts)	2,750/3,400

OPTIONAL ACCESSORIES

Rear Filler Kit - White (W)/Black (B)	(W) PN# 903113-9011 (B) PN# 903113-9010
Side Panel Kit - White (W)/Black (B)	(W) PN# 903074-9011 (B) PN# 903074-9010
Backguard Kit - White (W)/Black (B)	(W) PN# 903046-9011 (B) PN# 903046-9010

CERTIFICATIONS

A.D.A. Compliant ¹	Yes
Sabbath Mode (Star-K® Certified)	

SPECIFICATIONS

Oven Interior (H x W x D)	17-1/2" x 24-1/8" x 18-3/4"
Power Supply Connection Location	Left Bottom Rear
Voltage Rating	240V / 208V / 60Hz
Connected Load (kW Rating) @ 240/208 Volts ²	11.8/8.9 kW
Amps @ 240/208 Volts	33/32.5
Minimum Circuit Required (Amps)	40
Shipping Weight (Approx.)	200 Lbs.

¹When properly installed, this model is A.D.A.-qualified based on the United States Access Board's A.D.A./A.B.A. Accessibility Guidelines and the Department of Justice's 2010 A.D.A. Standards for Accessible Design.

²Single phase 3- or 4-wire cable, 120/240 or 120/208 Volt, 60 Hertz, AC only electrical supply with ground required on separate circuit fused on both sides of line.

PRODUCT DIMENSIONS

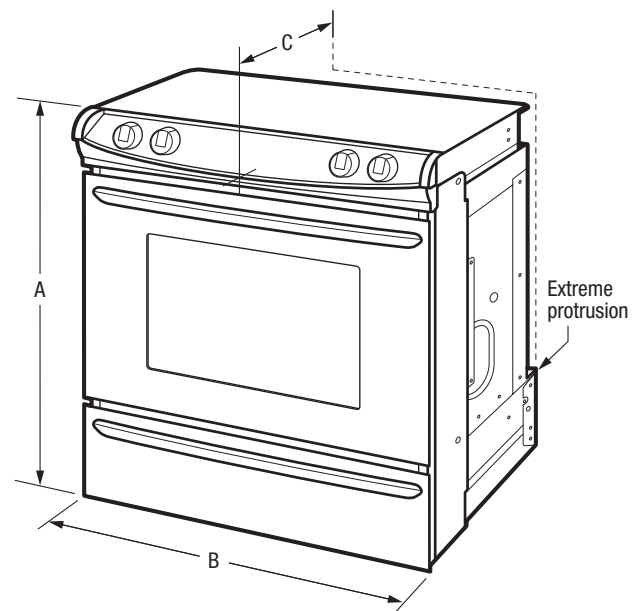
A - Height (Min./Max.)	35-7/8" / 36-5/8"
B - Width	30"
C - Depth	28-5/16"
Depth with Door Open 90°	47-9/16"

CABINET CUTOUT DIMENSIONS

Height (Min./Max.)	35-7/8" / 36-5/8"
Width (Min./Max.)	29-15/16" / 30-1/16"*
Depth (Min./Max.)	21-3/4" / 22-1/8"***

*Cutout and countertop cutout width should match.

**24" with optional backguard installed.



FRIGIDAIRE

USA • 10200 David Taylor Drive • Charlotte, NC 28262 • 1-800-FRIGIDAIRE • frigidaire.com
CANADA • 5855 Terry Fox Way • Mississauga, ON L5V 3E4 • 1-800-265-8352 • frigidaire.ca



Note: For planning purposes only. Always consult local and national electric, gas and plumbing codes. Refer to Product Installation Guide for detailed installation instructions on the web at frigidaire.com.

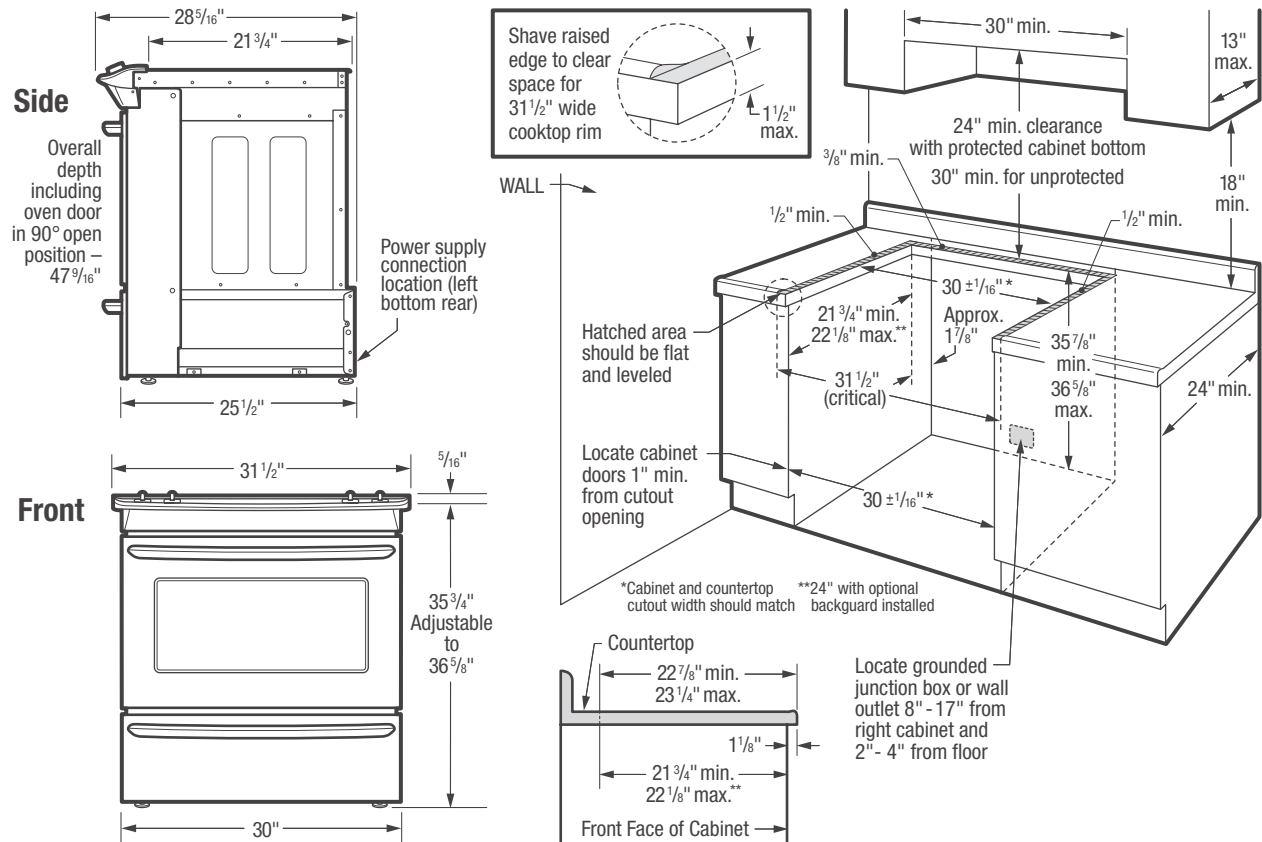
Specifications subject to change. Accessories information available on the web at frigidaire.com

FFES3026T 02/18
© 2018 Electrolux Home Products, Inc.

FFES3026T S/W/B SLIDE-IN RANGE

30" ELECTRIC

FRIGIDAIRE



INSTALLATION SPECIFICATIONS

- Product Shipping Weight (approx.) - 200 Lbs.
- Single phase 3- or 4-wire cable, 120/240 or 120/208 Volt, 60 Hertz, fused on both sides of line with ground.
- Connected Load (kW Rating) @ 240/208 Volts = 11.8/8.9 Amps
- Amps @ 240/208 Volts = 33/32.5 Amps
- Recommended Circuit Breaker - 40 Amps
- Always consult local and national electric codes.
- Make sure wall coverings around range can withstand heat generated by range.
- Linoleum or any other synthetic floor covering located beneath range, must be capable of withstanding minimum heat of 90°F above room temperature without shrinking, warping or discoloring. Insulating pad or 1/4"-thick plywood required between range and a carpeted floor.
- Countertop MUST be level in all directions and adjustable range height at least 1/16" greater than tallest cabinet height, to ensure metal rangetop flange will fit properly on countertop edge.
- When installing optional Backguard Kit, cutout depth of 21-3/4" minimum/ 22-1/8" maximum needs increased to 24".
- Overhead cabinetry should not exceed a 13" maximum depth.
- Absolute minimum horizontal distance between overhead cabinets installed to either side of appliance must be no less than maximum width of appliance.
- Allow 24" minimum clearance between rangetop and bottom of cabinet when bottom of wood or metal cabinet is protected by not less than 1/4" flame-retardant millboard covered with not less than No. 28 MSG sheet steel, 0.015" stainless steel, 0.024" aluminum or 0.020" copper. Allow 30" minimum clearance when cabinet is unprotected.

- To reduce risk of fire when using overhead cabinetry, install range hood that projects horizontally a recommended minimum of 5" beyond bottom of cabinets.

COUNTERTOP PREPARATION

- Rangetop's side flanges overlap countertop cutout edges - for detailed preparation instructions, refer to product installation guide on the web.
- Flat Square-Finish Countertops - require no preparation since rangetop's flange lays directly on countertop edge.
 - Formed Front-Edged Countertops - require front molded edge to be shaved flat 3/4" from each front corner of opening.
 - Tile Countertops - may need trim cut back 3/4" from each front corner of opening and/or rounded edge flattened.

OPTIONAL ACCESSORIES

- Rear Filler Kit: White - (PN# 903113-9011), Black - (PN# 903113-9010).
- Side Panel Kit: White - (PN# 903074-9011), Black - (PN# 903074-9010).
- Backguard Kit: White - (PN# 903046-9011), Black - (PN# 903046-9010).



FRIGIDAIRE

USA • 10200 David Taylor Drive • Charlotte, NC 28262 • 1-800-FRIGIDAIRE • frigidaire.com
CANADA • 5855 Terry Fox Way • Mississauga, ON L5V 3E4 • 1-800-265-8352 • frigidaire.ca

Note: For planning purposes only. Always consult local and national electric, gas and plumbing codes. Refer to Product Installation Guide for detailed installation instructions on the web at frigidaire.com.

Specifications subject to change. Accessories information available on the web at frigidaire.com

FFES3026T 02/18

© 2018 Electrolux Home Products, Inc.