

FRIGIDAIRE

GALLERY.



Dishwasher

FGHD2472PF

24" Built-In



Signature Features



Excellent Drying Performance

Get outstanding drying performance with Effortless™ Dry.



Excellent Wash System

Our stainless steel spray arm and dual filtration system gives you a thoroughly clean wash every time.



DishSense™ Technology

Sensors select the cycle for you based on your cleaning needs.



Fits-More™ Capacity

Our large capacity, tall-tub dishwasher fits up to 14 place settings so you can wash even more at once.

Product Dimensions

Height (Adjustable)	34" - 35"
Width	24"
Depth (Including Door)	25"

More Easy-To-Use Features

Stainless Steel Interior

Premium stainless steel interior for maximum durability.

Energy Saver Plus Cycle

Eco-friendly cycle uses less energy without compromising cleaning performance.

Energy Saver Dry Option

No heat dry option.

SpaceWise® Organization System

Our SpaceWise® Organization System features adjustable racks and the Largest Silverware Basket¹ so there's a place for virtually anything.

Delay Start

Set your dishwasher to run on your schedule.

Smudge-Proof Stainless Steel

Reduces fingerprints and smudges so it's easy to clean.

NSF® Certified

Sanitize cycle removes 99.9% of common household bacteria.

Largest Silverware Basket¹

There's room for over 180 items in our multi-compartment silverware basket.

SpaceWise® Adjustable Upper Dish Rack

Flexible racking system lets you adjust the top rack to fit taller items.

ENERGY STAR®

NSF® International Certification



Available in:

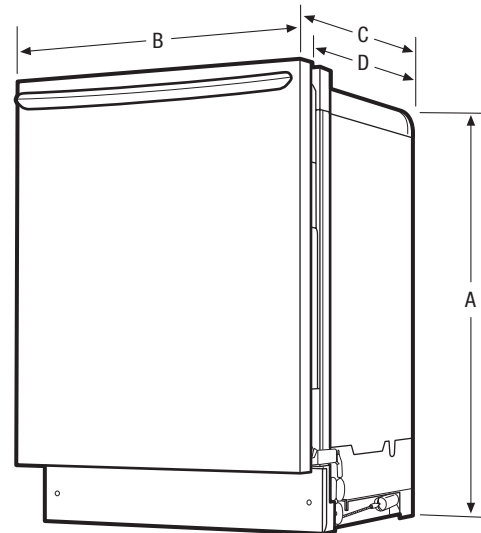


Stainless
(F)

¹Among leading brands.

Features	
Control Design	Fully-Integrated Express-Select®
Digital Display	Yes
Door Latch/Stay-Put Door Hinge Design	Yes/Yes
Low Rinse-Aid Indicator Light	Yes
Interior Design/Interior Colour	Tall Tub/Stainless Steel
Wash System	Direct
Wash Levels/Wash Speeds	5/1
DishSense™ Technology	Yes
AquaSurge™ Technology	
Sound Package	SilentDesign™
Filter/Filter Trap	S. Steel/Removable
Soft Food Disposer	Yes
dB Level	51
Drying System (Fan Assisted)	Effortless™ Dry
Cycles	
Number of Cycles	6
Heavy	Yes
Normal	Yes
Light	Yes
Quick	
Favourite	
China Crystal	Yes
Rinse Only	Yes
Energy Saver Plus	Yes
Upper Rack Wash Only	
Cycle Indicator Light/Control Lock	No/Yes
Options	
Heat/No Heat Dry	Yes
Hi-Temp Wash	Yes
NSF® Certified Sanitize Rinse	Yes
Delay Start	1-24 Hour
Rack System	
Rack Design	Maximum
Rack Coating	Nylon TufRacks™
Upper Rack -	
Rack Handles	Yes
Stemware/Champagne Glass Holders	Yes
Fold-Down Tines	Yes
Cup Shelves	2
Utensil Tray	
Adjustable Rack Height	Yes
Lower Rack -	
SpaceWise® Silverware Basket	3-Piece Split
Fold-Down Tines	2 Full Rows
Small Items Cover	3
Certifications	
ENERGY STAR®	Yes
NSF® International Certification	Yes
Specifications	
Water Inlet Location	Left Bottom Front
Water Usage (Gallons)	4.9 - 8.5
Water Pressure (PSI)	20 - 120
Integral Air Gap on Supply	Yes
Leveling Legs	4
Power Supply Connection Location	Right Bottom Front
Voltage Rating	120V / 60Hz / 15A
Connected Load (kW Rating) @ 120 Volts ¹	1.44
Amps @ 120 Volts	10
Shipping Weight (Approx.)	83 Lbs.

¹ For use on adequately wired 120V, dedicated circuit having 2-wire service with a separate ground wire. Appliance must be grounded for safe operation.



NOTE: For planning purposes only. Always consult local and national electric and plumbing codes. Refer to Product Installation Guide for detailed installation instructions on the web at fridgeaire.ca.



Product Dimensions		Cutout Dimensions	
A - Height (Adjustable)	34" - 35"	Height (Min.)	34-1/4"
B - Width	24"	Height (Max.)	35-1/4"
C - Depth (Including Door)	25"	Width (Min.)	24"
D - Depth (To Tub Flange)	22-1/2"	Depth (Min.)	24"
Depth with Door Open 90°	49-1/4"		

Accessories information available on the web at fridgeaire.ca