



Microwave

CPMO209KF

24" Built-In



Product Dimensions

Height	13-3/8"
Width	24"
Depth	19-1/8"

More Easy-To-Use Features

One-Touch Keep Warm Setting

Keep food warm until everything—and everyone—is ready.

Real Stainless Steel

Real stainless steel with a protective coating that reduces fingerprints and smudges so it's easy to clean.

Sensor Cooking

Microwave automatically adjusts power levels and cooking times to perfectly cook a variety of items, effortlessly.

One-Touch Add 30 Seconds

Built-In Trim Kit

Optional trim kit available in stainless trim in 27" or 30" diameter.

Available in:



Stainless
(F)

Signature Features



Fits-More™ Microwave

Extra-large microwave provides 2.0 cubic feet of cooking space.



Effortless™ Reheat

Reheat almost anything with the touch of a button.



Over 30 Options

Versatile settings include: Chicken nuggets and snacks.

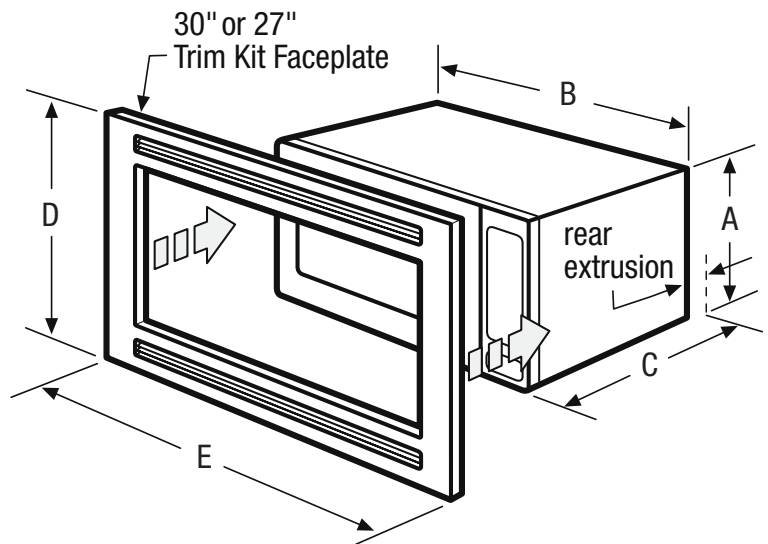


One-Touch Options

Our microwaves feature easy-to-use one-touch buttons so you can cook chicken nuggets, baked potatoes or popcorn with the touch of a button.

Features	
Control/Timing System	Pro-Select*
Exterior Door Finish	Real Stainless Steel
Handle Design	Push Button
Microwave Capacity (Cu. Ft.)	2.0
Convection	
Watts (IEC-705 Test Procedure)	1,200
Interior Light	Yes
Interior Colour	White
Turntable Diameter	16"
Turntable On/Off	
Control Lock	Yes
Clock	Yes
Touch Pad Buttons	28
Power Levels	High (1-10)
Accessory Metal Rack	
Microwave Control Options	
Popcorn Button	Yes
Chicken Nugget Button	Yes
Baked Potato Button	Yes
Sensor Reheat Button	Yes
Snack Button	Yes
Beverage	
Melt & Soften Options	4
Auto Reheat Options	3
Snack Menu Options	4
Auto Cook Options	3
Auto Defrost Options	6
Multi-Stage Cooking Option	
Keep Warm	Yes
Add-30-Seconds	Yes
Sensor Cooking Options	5
Vegetable Cook Sensor	Yes
Delay Start	Yes
User Preferences	Yes
Power Ratings	
Frequency (MHz)	2,450
Watts @ 120 Volts	1,700
Amps @ 120 Volts	14.3
Optional Accessories	
30" Stainless Steel Trim Kit	PN # MWTKP30KF
27" Stainless Steel Trim Kit	PN # MWTKP27KF
Specifications	
Oven Interior (HxWxD)	10-1/2"x 17-3/8"x18-5/8"
Power Supply Connection Location	Right Top Rear
Voltage Rating	120V/60Hz/20A
Connected Load (kW Rating) @ 120 Volts ¹	1.7
Minimum Circuit Required (Amps)	15
Shipping Weight (Approx.)	46 Lbs.

¹For use on adequately wired 120V, dedicated circuit having 2-wire service with a separate ground wire. Appliance must be grounded for safe operation.



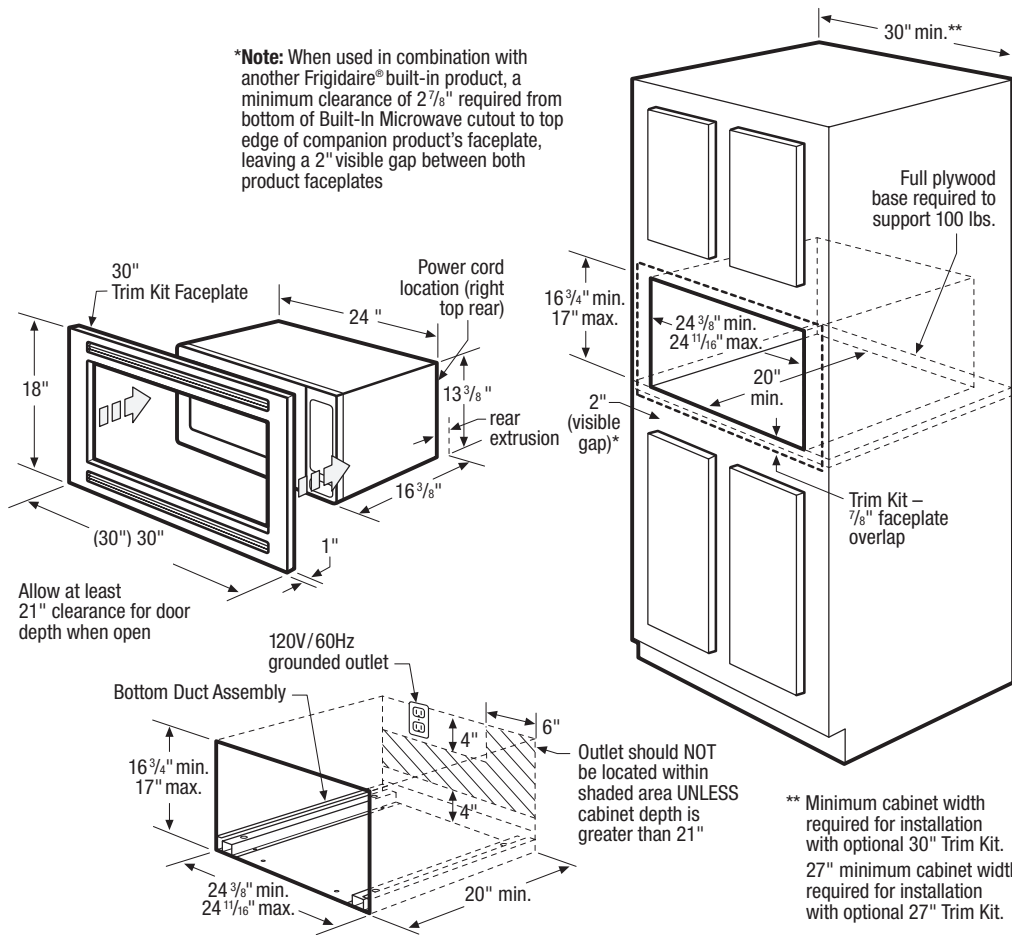
NOTE: For planning purposes only. Always consult local and national electric codes. Refer to Product Installation Guide for detailed installation instructions on the web at frigidaire.ca.



Product Dimensions		Cutout Dimensions	
A - Height	13-3/8"	Height (Min.)	16-3/4"
B - Width	24"	Height (Max.)	17"
C - Depth	19-1/8"	Width (Min.)	24-3/4"
D - Height (Trim Kit Face Plate)	18"	Width (Max.)	25"
E - Width (Trim Kit Face Plate)	30"/27"	Depth (Min.)	20"

Accessories information available on the web at frigidaire.ca

***Note:** When used in combination with another Frigidaire® built-in product, a minimum clearance of 2-7/8" required from bottom of Built-In Microwave cutout to top edge of companion product's faceplate, leaving a 2" visible gap between both product faceplates



** Minimum cabinet width required for installation with optional 30" Trim Kit. 27" minimum cabinet width required for installation with optional 27" Trim Kit.

Microwave Specifications

- Product Shipping Weight (Approx.) - 46 Lbs. (not incl. Trim Kit)
- Voltage Rating - 120V / 60 Hz / 15 or 20 Amps
- Connected Load (kW Rating) @ 120 Volts = 1.7 kW (For use on adequately wired 120V, dedicated circuit having 2-wire service with a separate ground wire. Appliance must be grounded for safe operation.)
- Amps @ 120 Volts = 14.3 Amps
- Always consult local and national electric codes.
- Microwave can stand alone on countertop or be built in with optional 30" Trim Kit (ordered by individual part number) which includes Bottom Duct Assembly - shipped in separate box.
- Allow 21" minimum clearance for 90° door swing.
- Minimum 20" deep oven cutout dimension is critical for proper installation for oven and faceplate to fit flush against cabinet front.
- Consult local building code, in the event that cutout opening may be required to be enclosed with sides, ceiling and rear partition.
- Full base of solid plywood or similar material required, capable of supporting 100 Lbs.

- Base must be level and front of cabinet square for proper operation.
- Grounded outlet should NOT be located in shaded area, as indicated, UNLESS cabinet depth is greater than 21".
- Can NOT be installed above any gas wall oven.
- Built-In Microwave is approved to be used in combination with any Frigidaire® Electric Single Wall Oven and/or Warmer Drawer. (Refer to model-specific Combination Installation Specification pages on web.)
- When used in combination with another Frigidaire® built-in product, a minimum clearance of 2-7/8" required from bottom of Built-In Microwave cutout to top edge of companion product's faceplate, leaving a 2" visible gap between both product faceplates.

Note: For planning purposes only. Refer to Product Installation Guide on the web at frigidaire.ca for detailed instructions

Optional Accessories

- 30" Stainless Steel Trim Kit - (PN# MWTKP30KF).
- 27" Stainless Steel Trim Kit - (PN# MWTKP27KF).

Accessories information available on the web at frigidaire.ca

