



All Refrigerator

FRU17B2JW

Frost Free
17 Cu. Ft.



Product Dimensions

Height (Including Hinges)	65-7/8"
Width	32"
Depth (Including Door)	26-5/8"

More Easy-To-Use Features

5 Fixed Door Racks

1 Trivet

Available in:



White
(W)

Signature Features

Adjustable Temperature Control

Select the correct temperature for your needs.

Bright Lighting

Our bright lighting makes it easy to see what's inside.

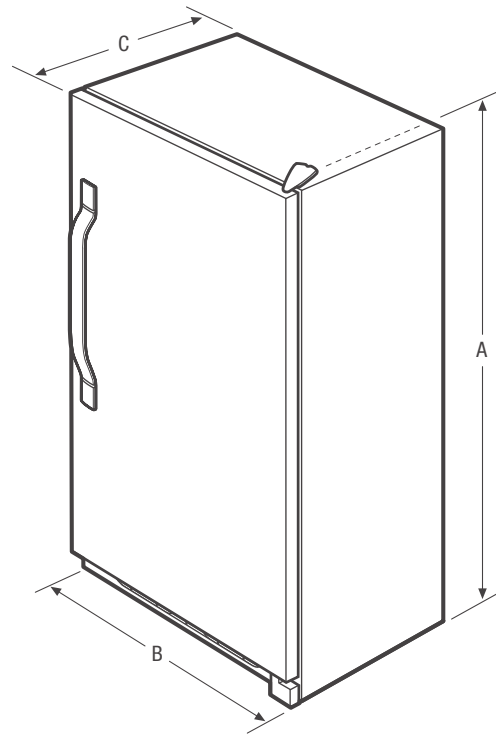
Ready-Select® Controls

Easily select options with the touch of a button.

Colour-Coordinated Handle

Features	
Door Handle Design	Straight
Reversible Door	
Automatic Door Closer	Yes
Leveling Legs	Yes
Adjustable Temperature Control	Yes
Airflow Ports	Yes
Full-Width Shelves	2 Adjustable Wire/ 2 Fixed Wire
Slide-Out Wire Baskets	
Interior Lighting	Bright
Door Bins	
Door Racks	5 Full-Width
Fixed Door Shelf Retainers	Yes
Certifications	
CSA Rating	Household
Specifications	
Total Capacity (Cu. Ft.)	16.7
Shelf Area (Sq. Ft.)	18.2
Annual Energy (kWH)	438
Annual Energy Cost (.1065/kWH)	\$47
Power Supply Connection Location	Right Bottom Rear
Voltage Rating	115V
Connected Load (kW rating) @ 115 Volts ¹	.55
Amps @ 115 Volts	5
Minimum Circuit Required (Amps)	15
Shipping Weight (Approx.)	214 Lbs.

¹An electrical supply with grounded three-prong receptacle is required. The power supply circuit must be installed in accordance with local codes & ordinances.



NOTE: For planning purposes only. Always consult local and national electric and plumbing codes. Refer to Product Installation Guide for detailed installation instructions on the web at frigidaire.ca.



Product Dimensions	
A - Height (Including Hinges)	65-7/8"
B - Width	32"
C - Depth (Including Door)	26-5/8"
D - Depth with Door Open 90°	57-1/2"

Accessories information available on the web at frigidaire.ca