



Side-by-Side Refrigerators

FGHS2368L P/E

23 Cu. Ft. Standard-Depth



Product Dimensions

Height (Including Hinges & Rollers)	69-3/8"
Width (Doors)	33"
Depth (Including Door)	33"

More Easy-To-Use Features

PureAir Ultra® Filters

Keeps the air cleaner and fresher.

SpillSafe® Shelves

Designed to keep spills contained, making cleanup a breeze.

Express-Select® Controls

Easily select options with the touch of a button.

Energy Saver Plus Technology³

Our refrigerator will automatically go into an energy-saving mode if not opened for 24 hours.

ENERGY STAR®

Sabbath Mode (Star-K® Certified)



Signature Features



SpaceWise® Organization System

Our SpaceWise® organization system makes it easy to keep food organized and easy to find when you need it.



Best-in-Class Ice & Water Filtration¹

PureSource Ultra® Water Filtration offers best-in-class water filtration so you get cleaner, better-tasting water at your fingertips.



Quick Ice²

Quick Ice delivers up to 37 percent more ice.



Quick Freeze

Quickly freeze whatever you store to keep foods at their freshest.

Available in:



Pearl (P)



Ebony (E)

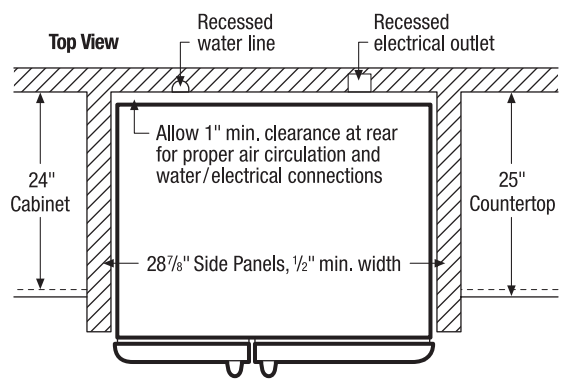
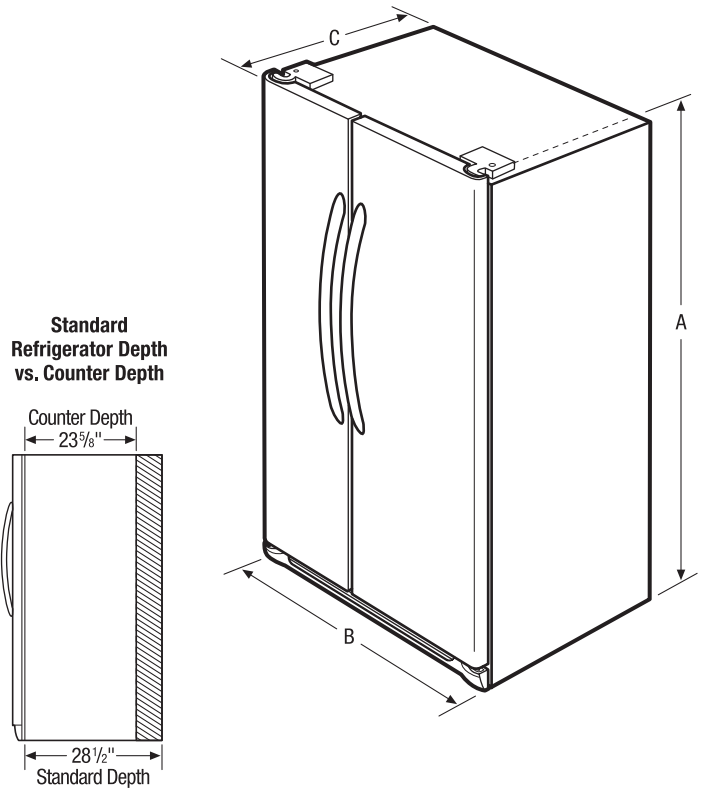
¹As compared to other consumer refrigeration water filtration systems.

²In a 24-hour period.

³If this refrigerator door is not opened for 24 hours AND the refrigerator system is set to the 12-hour defrost cycle, then the system automatically goes to a 96-hour compressor run time defrost cycle to conserve electricity.

Features	
Door Design	Soft-Arc
Door Handle Design	Color-Coordinated
Cabinet Finish	Color-Coordinated
Door Stops/Door Closers	Yes/Yes
Door Hinge Covers	Hidden
Rollers - Front/Rear	Adjustable/Yes
Energy Saver Plus Technology	Yes
Water Filter Location	Top Right Rear
Sound Package	Quiet Pack
Dispenser	
Controls	Express-Select®
Dispenser Design	Tall, Single Paddle
Number of Dispenser Buttons	11
Crushed Ice/Cube Ice/Chilled Water	Yes/Yes/Yes
Ice Option	Quick Ice
Freeze Option	Quick Freeze
Display On/Off Option	
Lock/Light	Yes/Yes
Temp/Door Ajar/Power Failure Alerts	
Water Filter Change Indicator Light	Yes
Air Filter Change Indicator Light	Yes
Refrigerator Features	
Interior Lighting	Standard
Water Filter Type	PureSource Ultra®
Air Filter Type	PureAir Ultra®
Fixed Shelves	
Sliding Shelves	3 SpillSafe®
Cool Zone™ Drawer	1 Stacked
Wine/Can Rack	
Upper Crisper/Lower Crisper	1 Clear/1 Clear
Humidity Controls	2
Dairy Compartment	1 Clear
Fixed Door Bins	2 Two-Liter Clear
Adjustable Door Bins	2 One-Gallon Clear
Non-Slip Bin Liner/Bottle Retainers	
Condiment Bin	
Freezer Features	
Door Bins/Tilt-Out Wire Door Bins	4 White/No
Fixed Shelves	1 Flip-Out /1 Wire
Full Extension Baskets	
Full Freezer Baskets	1 Plastic/1 Wire
Half Freezer Baskets	
Ice Cream Shelf/Pizza Shelf	Yes/No
SpaceSaver™ Shelf	
Lighting	Yes
Certifications	
ENERGY STAR®	Yes
Sabbath Mode (Star-K® Certified)	Yes
Specifications	
Total Capacity (Cu. Ft.)	22.6
Refrigerator Capacity (Cu. Ft.)	14.20
Freezer Capacity (Cu. Ft.)	8.40
Power Supply Connection Location	Right Bottom Rear
Water Inlet Connection Location	Left Bottom Rear
Voltage Rating	120V/60Hz/15 or 20A
Connected Load (kW Rating) @ 120 Volts¹	1.02
Amps @ 120 Volts	8.5
Minimum Circuit Required (Amps)	15
Shipping Weight (Approx.)	285 Lbs.

¹For use on adequately wired 120V, dedicated circuit having 2-wire service with a separate ground wire. Appliance must be grounded for safe operation.



NOTE: For planning purposes only. Always consult local and national electric and plumbing codes. Refer to Product Installation Guide for detailed installation instructions on the web at frigidaire.com.



Overall Exterior Dimensions	
A - Height (Incl. Hinges & Rollers)	69-3/8"
B - Cabinet Width/Door Width	32-5/8" / 33"
C - Depth (Incl. Door)	33"
Depth with Door Open 90°	49-7/8"

Accessories information available on the web at frigidaire.com

FRIGIDAIRE

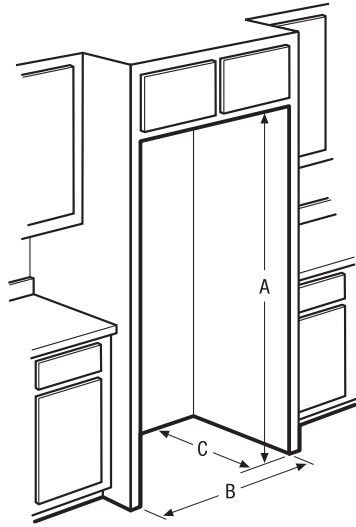
USA • 10200 David Taylor Drive • Charlotte, NC 28262 • 1-800-FRIGIDAIRE • frigidaire.com

CANADA • 5855 Terry Fox Way • Mississauga, ON L5V 3E4 • 1-800-265-8352 • frigidaire.ca

FGHS2368L 02/12

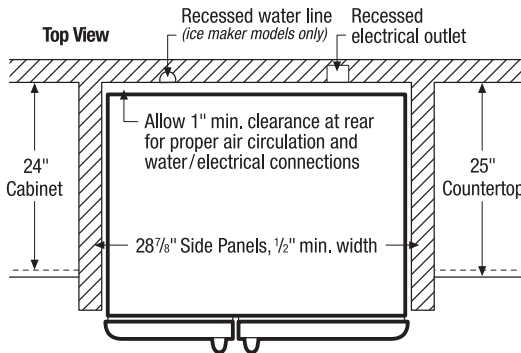
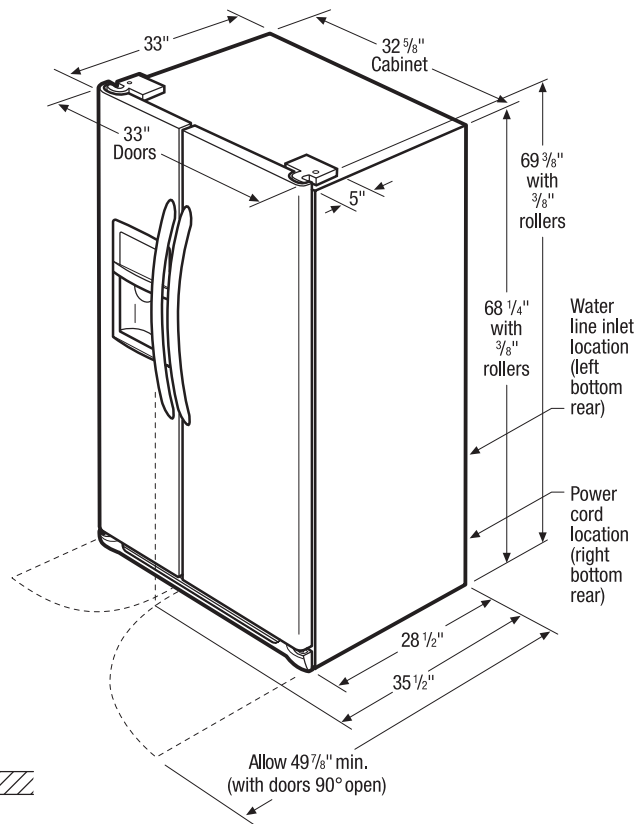
© 2012 Electrolux Home Products, Inc.

Specifications subject to change.



**“Built-In Look”
Cutout Dimensions**

(A) 70 1/4" (B) 33" (C) 28 7/8"



Side-by-Side Refrigerator Specifications

- Product Shipping Weight (approx.) - 285 Lbs.
- Voltage Rating - 120V/60 Hz/15 or 20 Amps
- Connected Load (kW Rating) @ 120 Volts = 1.02 kW (For use on adequately wired 120V, dedicated circuit having 2-wire service with a separate ground wire. Appliance must be grounded for safe operation.)
- Amps @ 120 Volts = 8.5 Amps
- Always consult local and national electric & plumbing codes.
- Floor should be level surface of hard material, capable of supporting fully loaded refrigerator.
- When installing refrigerator adjacent to wall, cabinet or other appliance that extends beyond front edge of unit, 20" minimum clearance recommended to allow for optimum 120° to 180° door swing, providing complete drawer/crisper access and removal. (*Absolute 4-1/2" minimum clearance will ONLY allow for 90° door swing which will provide drawer/crisper access with restricted removal.*)
- To ensure optimum performance, avoid installing in direct sunlight or close proximity to range, dishwasher or other heat source.
- For proper ventilation, front grille MUST remain unobstructed.

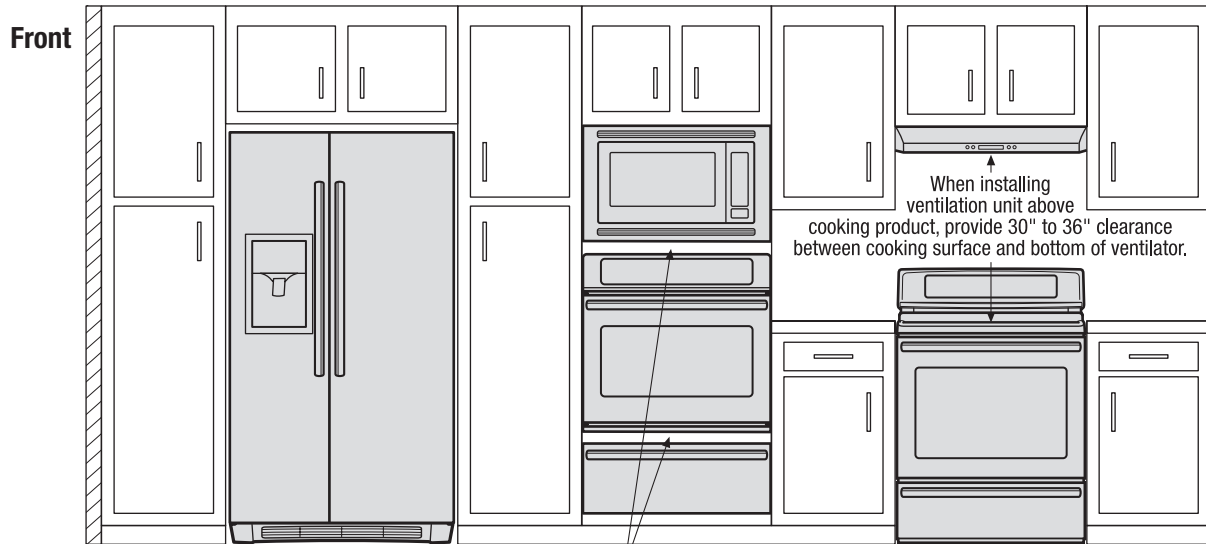
- Recess electrical outlet when possible.
- Water recess on rear wall recommended to prevent water line damage.
- Water Pressure - Cold water line must provide between 30 and 100 pounds per square inch (psi).
- Copper tubing with 1/4" O.D. recommended for water supply line with length equal to distance from rear of unit to household water supply line plus 7 additional feet. Optional Water Supply Installation Kits available.
- Adjustable front rollers to assist with door alignment.

“Built-In Look” Specifications

- Minimum opening of 70-1/4" H x 33" W x 28-7/8" D required to allow for ease of installation, proper air circulation, and plumbing/electrical connections.
- Remove all wall/floor molding prior to installation.

Note: For planning purposes only. Refer to Product Installation Guide on the web at frigidaire.com for detailed instructions.

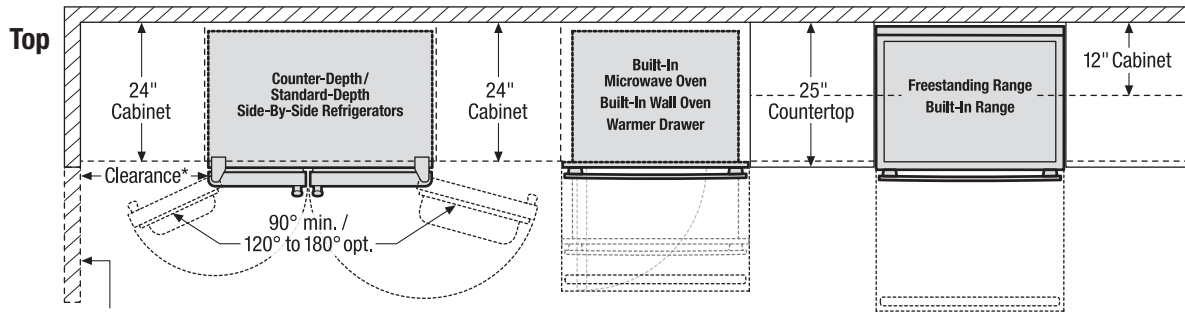
Use these dimensions and clearance instructions for planning purposes only. For detailed installation instructions, refer to installation guide, packed with product, or on the web at frigidaire.com.



When installing built-in cooking appliances in combination, 2"-high minimum visible gap between appliance faceplates required.

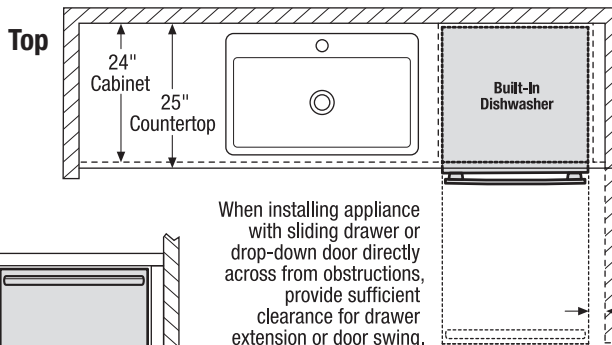
When installing ventilation unit above cooking product, provide 30" to 36" clearance between cooking surface and bottom of ventilator.

Clearance information for cooking appliances, provided in specific product's installation guide.



*When installing side-by-side refrigerator adjacent to wall, cabinet or another appliance that extends beyond front edge of unit, 20" minimum clearance recommended to allow for optimum 120° to 180° door swing, providing complete drawer/crisper access and removal. (Absolute 4-1/2" minimum clearance will ONLY allow for 90° door swing which will provide limited drawer/crisper access with restricted removal.)

When installing appliance with sliding drawer, swinging or drop-down door directly across from obstructions, provide sufficient clearance for drawer extension or door swings.



When installing appliance with sliding drawer or drop-down door adjacent to wall, cabinet, or other obstruction that extends beyond front edge of appliance, allow 2" minimum clearance between drawer or door and obstruction.

When installing appliance with sliding drawer or drop-down door directly across from obstructions, provide sufficient clearance for drawer extension or door swing.

